

Install Instructions

Original Instructions



Allen-Bradley

by ROCKWELL AUTOMATION

Stratix 4300 Remote Access Routers

Catalog Numbers 1783-BSA2KW, 1783-MNCBLTE, 1783-MNCBWIFI, 1783-RA2TGB, 1783-RA2TGC4G, 1783-RA2TGW, 1783-RA2TGC4G, 1783-RA5TGB, 1783-RA5TGC4G, 1783-RA5TGW, 1783-RA5TGC4G, 1783-SSA2K4G

Topic	Page
Environment and Enclosure Information	3
Prevent Electrostatic Discharge	3
Electrical Safety Considerations	3
Required Tools and Hardware for Installation	3
Battery Replacement	3
Mount the Switch	4
Power On	5
Connectors	5
Digital IN/OUT Connections	6
SIM Card Installation	6
Antenna Installation	7
Mount the Antenna	7
Router Specifications	8
Antenna Specifications	8
Mounting Specifications	8

Summary of Changes

This publication contains the following new or updated information. This list includes substantive updates only and is not intended to reflect all changes.

Topic	Page
Added Wireless and Cellular Options	Throughout
Digital IN/OUT Connections	6
SIM Card Installation	6
Antenna Installation	7
Mount the Antenna	7
Antenna Specifications	8



ATTENTION: Read this document and the documents listed in the Additional Resources section about installation, configuration and operation of this equipment before you install, configure, operate or maintain this product. Users are required to familiarize themselves with installation and wiring instructions in addition to requirements of all applicable codes, laws, and standards.

Activities including installation, adjustments, putting into service, use, assembly, disassembly, and maintenance are required to be carried out by suitably trained personnel in accordance with applicable code of practice. If this equipment is used in a manner not specified by the manufacturer, the protection provided by the equipment may be impaired.

注意：在安装、配置、操作和维护本产品前，请阅读本文档以及“其他资源”部分列出的有关设备安装、配置和操作的相应文档。除了所有适用规范、法律和标准的相关要求之外，用户还必须熟悉安装和接线说明。

安装、调整、投运、使用、组装、拆卸和维护等各项操作必须由经过适当训练的专业人员按照适用的操作规范实施。

如果未按照制造商指定的方式使用该设备，则可能会损害设备提供的保护。

ATENCIÓN: Antes de instalar, configurar, poner en funcionamiento o realizar el mantenimiento de este producto, lea este documento y los documentos listados en la sección Recursos adicionales acerca de la instalación, configuración y operación de este equipo. Los usuarios deben familiarizarse con las instrucciones de instalación y cableado y con los requisitos de todos los códigos, leyes y estándares vigentes.

El personal debidamente capacitado debe realizar las actividades relacionadas a la instalación, ajustes, puesta en servicio, uso, ensamblaje, desensamblaje y mantenimiento de conformidad con el código de práctica aplicable. Si este equipo se usa de una manera no especificada por el fabricante, la protección provista por el equipo puede resultar afectada.

ATENÇÃO: Leia este e os demais documentos sobre instalação, configuração e operação do equipamento que estão na seção Recursos adicionais antes de instalar, configurar, operar ou manter este produto. Os usuários devem se familiarizar com as instruções de instalação e fiação além das especificações para todos os códigos, leis e normas aplicáveis.

É necessário que as atividades, incluindo instalação, ajustes, colocação em serviço, utilização, montagem, desmontagem e manutenção sejam realizadas por pessoal qualificado e especializado, de acordo com o código de prática aplicável.

Caso este equipamento seja utilizado de maneira não estabelecida pelo fabricante, a proteção fornecida pelo equipamento pode ficar prejudicada.

ВНИМАНИЕ: Перед тем как устанавливать, настраивать, эксплуатировать или обслуживать данное оборудование, прочитайте этот документ и документы, перечисленные в разделе «Дополнительные ресурсы». В этих документах изложены сведения об установке, настройке и эксплуатации данного оборудования. Пользователи обязаны ознакомиться с инструкциями по установке и прокладке соединений, а также с требованиями всех применимых норм, законов и стандартов.

Все действия, включая установку, наладку, ввод в эксплуатацию, использование, сборку, разборку и техническое обслуживание, должны выполняться обученным персоналом в соответствии с применимыми нормами и правилами.

Если оборудование используется не предусмотренным производителем образом, защита оборудования может быть нарушена.

注意：本製品を設置、構成、稼働または保守する前に、本書および本機器の設置、設定、操作についての参考資料の該当箇所に記載されている文書を目を通してください。ユーザは、すべての該当する条例、法律、規格の要件に加えて、設置および配線の手順に習熟している必要があります。

設置調整、運転の開始、使用、組立て、解体、保守を含む諸作業は、該当する実施規則に従って訓練を受けた適切な作業員が実行する必要があります。

本機器が製造メーカーにより指定されていない方法で使用されている場合、機器により提供されている保護が損なわれる恐れがあります。

ACHTUNG: Lesen Sie dieses Dokument und die im Abschnitt „Weitere Informationen“ aufgeführten Dokumente, die Informationen zu Installation, Konfiguration und Bedienung dieses Produkts enthalten, bevor Sie dieses Produkt installieren, konfigurieren, bedienen oder warten. Anwender müssen sich neben den Bestimmungen aller anwendbaren Vorschriften, Gesetze und Normen zusätzlich mit den Installations- und Verdrahtungsanweisungen vertraut machen.

Arbeiten im Rahmen der Installation, Anpassung, Inbetriebnahme, Verwendung, Montage, Demontage oder Instandhaltung dürfen nur durch ausreichend geschulte Mitarbeiter und in Übereinstimmung mit den anwendbaren Ausführungsvorschriften vorgenommen werden.

Wenn das Gerät in einer Weise verwendet wird, die vom Hersteller nicht vorgesehen ist, kann die Schutzfunktion beeinträchtigt sein.

ATTENTION : Lisez ce document et les documents listés dans la section Ressources complémentaires relatifs à l'installation, la configuration et le fonctionnement de cet équipement avant d'installer, configurer, utiliser ou entretenir ce produit. Les utilisateurs doivent se familiariser avec les instructions d'installation et de câblage en plus des exigences relatives aux codes, lois et normes en vigueur.

Les activités relatives à l'installation, le réglage, la mise en service, l'utilisation, l'assemblage, le démontage et l'entretien doivent être réalisées par des personnes formées selon le code de pratique en vigueur.

Si cet équipement est utilisé d'une façon qui n'a pas été définie par le fabricant, la protection fournie par l'équipement peut être compromise.

주의: 본 제품 설치, 설정, 작동 또는 유지 보수하기 전에 본 문서를 포함하여 설치, 설정 및 작동에 관한 참고 자료 섹션의 문서들을 반드시 읽고 숙지하십시오. 사용자는 모든 관련 규정, 법규 및 표준에서 요구하는 사항에 대해 반드시 설치 및 배선 지침을 숙지해야 합니다.

설치, 조정, 가동, 사용, 조립, 분해, 유지보수 등 모든 작업은 관련 규정에 따라 적절한 교육을 받은 사용자를 통해서만 수행해야 합니다.

본 장비를 제조사가 명시하지 않은 방법으로 사용하면 장비의 보호 기능이 손상될 수 있습니다.

ATTENZIONE Prima di installare, configurare ed utilizzare il prodotto, o effettuare interventi di manutenzione su di esso, leggere il presente documento ed i documenti elencati nella sezione "Altre risorse", riguardanti l'installazione, la configurazione ed il funzionamento dell'apparecchiatura. Gli utenti devono leggere e comprendere le istruzioni di installazione e cablaggio, oltre ai requisiti previsti dalle leggi, codici e standard applicabili.

Le attività come installazione, regolazioni, utilizzo, assemblaggio, disassemblaggio e manutenzione devono essere svolte da personale adeguatamente addestrato, nel rispetto delle procedure previste. Qualora l'apparecchio venga utilizzato con modalità diverse da quanto previsto dal produttore, la sua funzione di protezione potrebbe venire compromessa.

DIKKAT: Bu ürünün kurulumu, yapılandırılması, işletilmesi veya bakımı öncesinde bu dokümanı ve bu ekipmanın kurulumu, yapılandırılması ve işletimi ile ilgili ilave Kaynaklar bölümünde yer listelenmiş dokümanları okuyun. Kullanıcılar yürürlükteki tüm yönetmelikler, yasa ve standartların gereksinimlerine ek olarak kurulum ve kablolama talimatlarını da dikkatle okumalardır.

Kurulum, ayarlama, hizmete alma, kullanma, parçaları birleştirme, parçaları sökme ve bakım gibi aktiviteler sadece uygun eğitimleri almış kişiler tarafından yürürlükteki uygulama yönetmeliklerine uygun şekilde yapılabilir.

Bu ekipman üretici tarafından belirlenmiş amacın dışında kullanılırsa, ekipman tarafından sağlanan koruma bozulabilir.

注意事項：在安装、設定、操作或維護本產品前，請先閱讀此文件以及列於「其他資源」章節中有關安裝、設定與操作此設備的文件。使用者必須熟悉安裝和配線指示，並符合所有法規、法律和標準要求。

包括安裝、調整、交付使用、使用、組裝、拆卸和維護等動作都必須交由已經過適當訓練的人員進行，以符合適用的實作法規。

如果將設備用於非製造商指定的用途時，可能會造成設備所提供的保護功能受損。

POZOR: Než začnete instalovat, konfigurovat či provozovat tento výrobek nebo provádět jeho údržbu, přečtěte si tento dokument a dokumenty uvedené v části Dodatečné zdroje ohledně instalace, konfigurace a provozu tohoto zařízení. Uživatelé se musejí vedle požadavků všech relevantních vyhlášek, zákonů a norem nutně seznámit také s pokyny pro instalaci a elektrické zapojení.

Činnosti zahrnující instalaci, nastavení, uvedení do provozu, užívání, montáž, demontáž a údržbu musí vykonávat vhodně proškolený personál v souladu s příslušnými prováděcími předpisy.

Pokud se toto zařízení používá způsobem neodpovídajícím specifikaci výrobce, může být narušena ochrana, kterou toto zařízení poskytuje.

UWAGA: Przed instalacją, konfiguracją, użytkowaniem lub konserwacją tego produktu należy przeczytać niniejszy dokument oraz wszystkie dokumenty wymienione w sekcji Dodatkowe źródła omawiające instalację, konfigurację i procedury użytkowania tego urządzenia. Użytkownicy mają obowiązek zapoznać się z instrukcjami dotyczącymi instalacji oraz przewożenia, jak również z obowiązującymi kodeksami, prawem i normami.

Działania obejmujące instalację, regulację, przekazanie do użytkowania, użytkowanie, montaż, demontaż oraz konserwację muszą być wykonywane przez odpowiednio przeszkolony personel zgodnie z obowiązującym kodeksem postępowania.

Jeśli urządzenie jest użytkowane w sposób inny niż określony przez producenta, zabezpieczenie zapewniane przez urządzenie może zostać ograniczone.

Obs! Läs detta dokument samt dokumentet, som står listat i avsnittet Övriga resurser, om installation, konfigurering och drift av denna utrustning innan du installerar, konfigurerar eller börjar använda eller utföra underhållsarbete på produkten. Användare måste bekanta sig med instruktioner för installation och kabeldragning, förutom krav enligt gällande koder, lagar och standarder.

Åtgärder som installation, justering, service, användning, montering, demontering och underhållsarbete måste utföras av personal med lämplig utbildning enligt lämpligt bruk.

Om denna utrustning används på ett sätt som inte anges av tillverkaren kan det hända att utrustningens skyddsanordningar försätts ur funktion.

LET OP: Lees dit document en de documenten die genoemd worden in de paragraaf Aanvullende informatie over de installatie, configuratie en bediening van deze apparatuur voordat u dit product installeert, configureert, bedient of onderhoudt. Gebruikers moeten zich vertrouwd maken met de installatie en de bedradingsinstructies, naast de vereisten van alle toepasselijke regels, wetten en normen.

Activiteiten zoals het installeren, afstellen, in gebruik stellen, gebruiken, monteren, demonteren en het uitvoeren van onderhoud mogen uitsluitend worden uitgevoerd door hiervoor opgeleid personeel en in overeenstemming met de geldende praktijkregels.

Indien de apparatuur wordt gebruikt op een wijze die niet is gespecificeerd door de fabrikant, dan bestaat het gevaar dat de beveiliging van de apparatuur niet goed werkt.

**ATTENTION:**

- Read this document and the documents listed in the Additional Resources section about installation, configuration, and operation of this equipment before you install, configure, operate, or maintain this product. Users are required to familiarize themselves with installation and wiring instructions in addition to requirements of all applicable codes, laws, and standards.
- The USB cable is not to exceed 3.0 m (9.84 ft) and must not contain hubs.
- The 1783-RA2TGB and 1783-RA5TGB equipment is certified for use only within the surrounding air temperature range of -20...+65 °C (-4...+149 °F). The 1783-RA2TGC4G, 1783-RA2TGW, 1783-RA2TGC4G, 1783-RA5TGC4G, 1783-RA5TGW, and 1783-RA5TGC4G equipment is certified for use only within the surrounding air temperature range of -20...+60 °C (-4...+140 °F). The equipment must not be used outside of this range.

Environment and Enclosure Information



ATTENTION: This equipment is intended for use in a Pollution Degree 2 industrial environment, in overvoltage Category II applications (as defined in EN/IEC 60664-1), at altitudes up to 2000 m (6562 ft) without derating.

This equipment is not intended for use in residential environments and may not provide adequate protection to radio communication services in such environments.

This equipment is supplied as open-type equipment for indoor use. It must be mounted within an enclosure that is suitably designed for those specific environmental conditions that will be present and appropriately designed to prevent personal injury resulting from accessibility to live parts. The enclosure must have suitable flame-retardant properties to prevent or minimize the spread of flame, complying with a flame spread rating of 5VA or be approved for the application if nonmetallic. The interior of the enclosure must be accessible only by the use of a tool. Subsequent sections of this publication may contain more information regarding specific enclosure type ratings that are required to comply with certain product safety certifications.

In addition to this publication, see the following:

- Industrial Automation Wiring and Grounding Guidelines, publication 1770-4.1, for more installation requirements.
- NEMA Standard 250 and EN/IEC 60529, as applicable, for explanations of the degrees of protection provided by enclosures.

Prevent Electrostatic Discharge



ATTENTION: This equipment is sensitive to electrostatic discharge, which can cause internal damage and affect normal operation. Follow these guidelines when you handle this equipment:

- Touch a grounded object to discharge potential static.
- Wear an approved grounding wriststrap.
- Do not touch connectors or pins on component boards.
- Do not touch circuit components inside the equipment.
- Use a static-safe workstation, if available.
- Store the equipment in appropriate static-safe packaging when not in use.

Electrical Safety Considerations



ATTENTION: Power to this equipment and all connected I/O must be supplied from a source compliant with the following:

- SELV source approved to EN/IEC60950-1, EN/IEC61010-2-201 or EN/IEC62368-1(ES1)

Required Tools and Hardware for Installation

IMPORTANT

Before performing any operations, check that the box contains:

- The system
- n.1 power supply plug
- n.1 I/O plug
- n.1 power supply cover kit
- DIN mount kit
- Wall mount kit
- Installation Instructions

Battery Replacement



WARNING: Replacing the battery must only be performed by qualified personnel.

- The battery used in this device may present a risk of fire or chemical burn hazard if used incorrectly.
- Do not recharge, disassemble, or heat the battery above 100 °C (212 °F).
- The battery model is BR1225A 3V. Use of any other battery presents a risk of fire or explosion.

Mount the Switch

The switch can be mounted to the wall, or to a DIN rail.

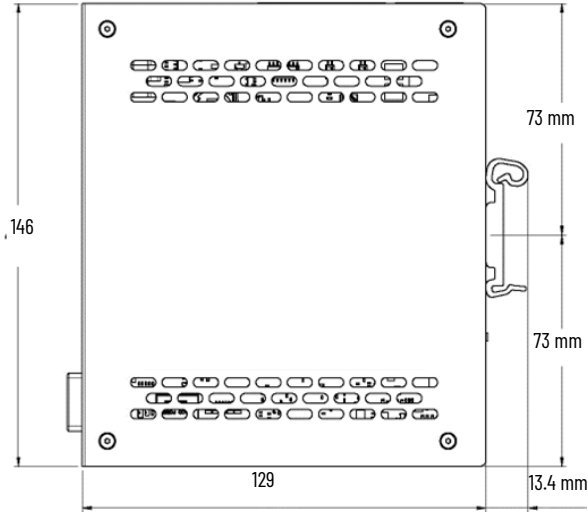


WARNING:

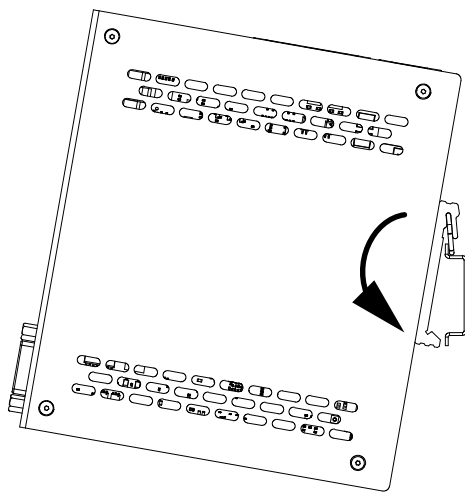
- Do not obstruct the aeration holes.
- Leave at least 50 mm (1.97 in) clearance for ventilation on all sides.

DIN Rail Mounting

1. Install the DIN hook as illustrated in the following images.



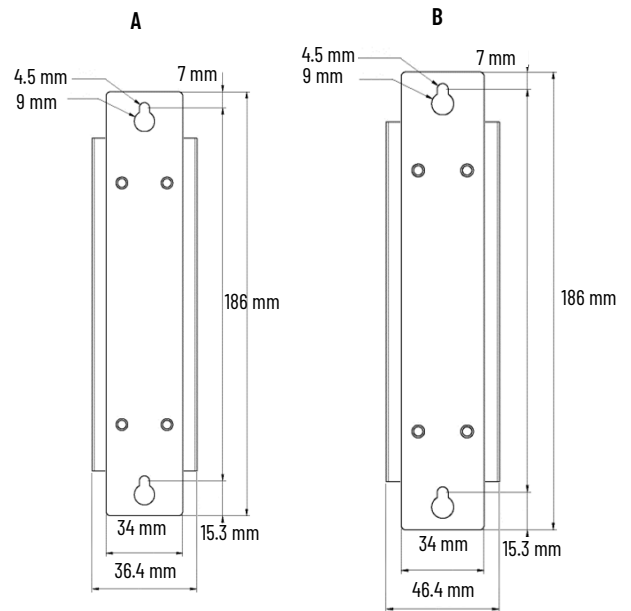
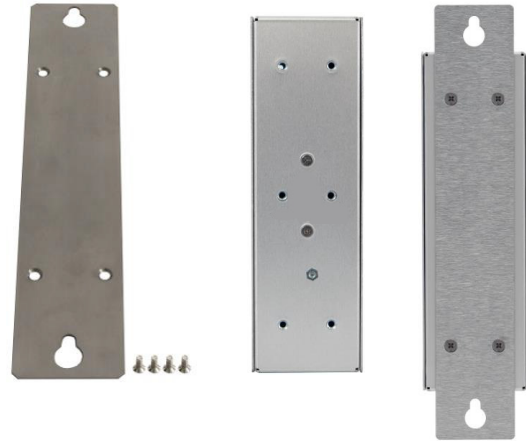
2. To mount the system, hang the module to the DIN rail.



Wall Mounting

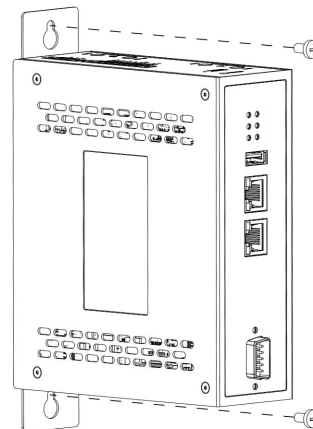
To mount the system to the wall, you need a cross-head screwdriver (2.5 mm). The torque value is 0.7...0.8 N·m.

1. Install the hook as shown in the following images.



The measurements above in image A are applicable to the 1783-RA2TGB, and image B applies to all other catalog numbers.

2. Drill the required holes on the housing panel. There are two screws that are provided for two fastening points as shown in the following image.



Power On



WARNING: The system has to be powered with a 9...34V DC power supply, which satisfies the requirements of safe extra low voltage (SELV) in accordance with IEC/EN/DIN EN/ UL60950-1. The power supply has to fulfill the requirements of NEC Class 2 or LPS in accordance with IEC/EN/DIN EN/UL60950-1. Connect the system with a cable cross-section of 0.75/1.5 mm² (AWG18 to AWG16) suitable for at least 75 °C (167 °F.)

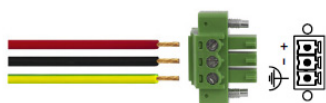
1. Remove the three poles connector from the system.
2. Connect the positive, negative and the ground poles (also refer to the label on the back of the system) to the related terminals of the three pole connector.
3. Insert the wired three-pole connector into the device.
4. Supply the system.



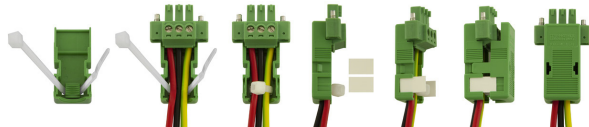
- DC Power connector assembly
- A. Power connector
 - B. Cable tie
 - C. Cable housing
 - D. Labels

Use wires with a cross section of 1.5 mm² (AWG16) with a copper conductor, which is certified for operation for at least 75 °C (167 °F).

- a. Strip 6 mm of the covering from the edges.
- b. Insert the stripped ends into the power connector (A) following the indicated polarity, and secure it to the wires (fixing torque 0.22...0.25 N•m).

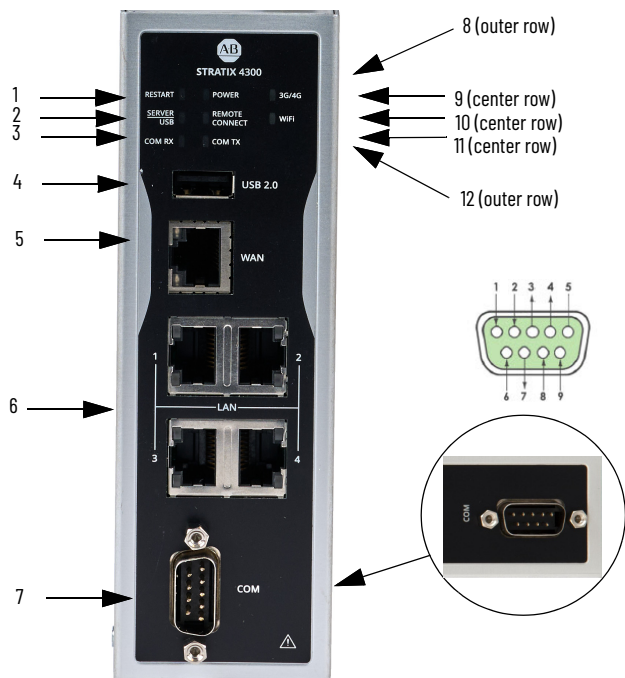


- c. Insert the cable tie (B) in the cable housing (C) and slide it.
- d. Place the power connector (A) in the cable housing (C).
- e. Tighten the cable tie (B), and cut the exceeding tie.
- f. Insert the labels (D) in the cable housing (C) and close the cup as shown in the following image.



Connectors

The status indicators, connectors, and pin connections for the modules are shown below.



Status Indicators and Ports

Number	Description	Number	Description
1	Restart Status Indicator	7	Serial Port
2	Server/USB Status Indicator	8	3G/4G Status Indicator ⁽¹⁾
3	COM RX Status Indicator	9	Power Status Indicator
4	USB Port	10	Remote Connect Status Indicator
5	WAN Port	11	COM TX Status Indicator
6	LAN Port ⁽²⁾	12	Wi-Fi Status Indicator ⁽¹⁾

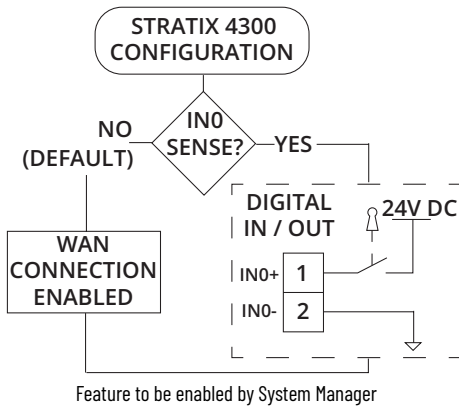
(1) Status Indicator presence depends on router choice.

PIN Connections

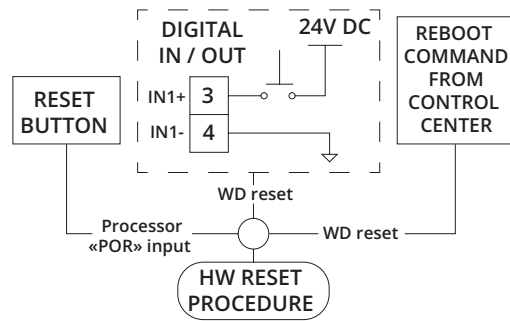
Pin	RS-232	RS-422	RS-485
1	Isolated +5V DC		
2	RX	RX+	—
3	TX	TX-	TX-,RX-
4	—	—	—
5	Isolated GND		
6	—	—	—
7	RTS	TX+	TX+,RX
8	CTS	RX-	—
9	—	—	—

Digital IN/OUT Connections

INO - WAN CONNECTION ENABLING SECURITY KEY

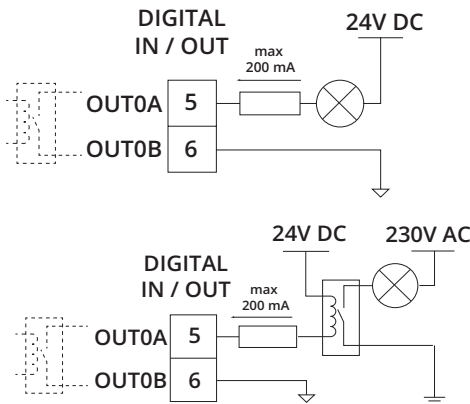


IN1 - RESET INPUT

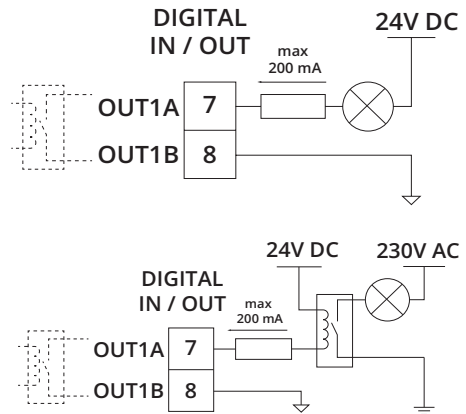


Keep the contact closed at least 5 seconds to perform a

OUT0 - WAN CONNECTION ENABLED SIGNALING



OUT0 - REMOTE ASSISTANCE SERVICE RUNNING



Grounding and Bond the Switch

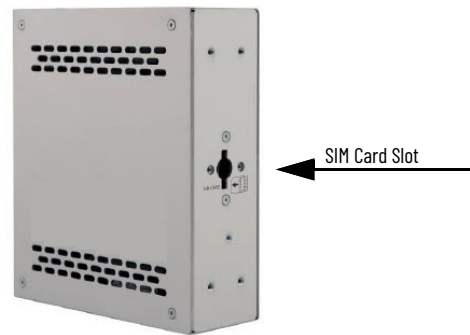
Whenever two connected pieces of equipment are far apart, it is possible that their ground connections could be at another potential level.

Use one of the following methods to steer the current away from the interface:

1. Use wires with a cross section of 1.5 mm² (AWG16) with a copper conductor, which is certified for operation for at least 75 °C (167 °F).
2. Before connecting the cable to the interfaces, connect the data cable screens to the bonding rail on both sides.

SIM Card Installation

The cellular and wireless options require the use of a SIM Card. The SIM Card can be installed in the back of the module. The SIM card must be associated with a data traffic plan. This plan must be properly chosen depending on foreseen traffic generated by the remote assistance sessions. The SIM card must be of ID-000 (ISO/IEC 7810) standard format (25 × 15 mm).



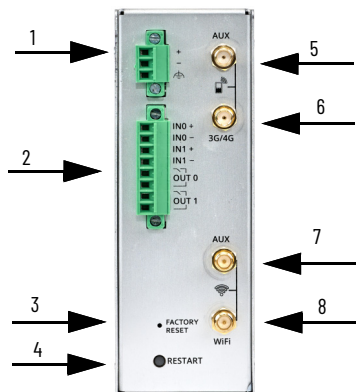
To insert the SIM card, use the following steps.

1. Uninstall the DIN/wall mount kit from the back of the system.
2. Correctly insert the SIM card.
3. Push the SIM card into the slot until it clicks in.
4. Install the DIN

Antenna Installation

All antennas are designed to be mounted either directly or on an antenna extension stand, one for Wi-Fi and one for cellular (3G / 4G). Mount and deploy the antenna at the 0° position, 45° position, or the 90° position, and then change that position that is needed. The rotation of the antenna into the proper position can take place while the antenna is still loose on the mating connector.

In addition to the antenna orientation, the installation location of Wi-Fi/WLAN routers and cellular modules play a significant role in determining overall network performance. Routers that are located at the farthest coverage points might have 10...50 percent of the bandwidth available compared to routers located closer to access points or the cellular base station tower.



Connectors

Number	Description
1	Power connector
2	Digital IN/OUT connections
3	Factor reset
4	Restart
5	AUX 3G/4G antenna connector
6	3G/4G antenna connector
7	AUX Wi-Fi antenna connector
8	Wi-Fi antenna connector

Antenna Options

There are multiple antenna options available for your router.



Image Number	Antenna Type
1	Cellular Modem dipole swivel terminal antenna. ⁽¹⁾
2	Wi-Fi STILO dual band steerable antenna, direct mount. ⁽¹⁾
3	Wall Mount Bracket for SMA antennas with integrated 3 m cable.

(1) Recommend torque for mounting is 0.9 N-m.

Antenna Diversity

Antenna diversity is a wireless scheme that uses multiple (2 in this case) antennas to improve the quality and reliability of a wireless link. We recommend the diversity (AUX) antenna for the Stratix® 4300 router to achieve the maximum network coverage.

Antenna options include the following:

Antenna	Description
Wi-Fi	Connect both antennas for Wi-Fi and AUX.
3G/4G Antenna Ports	Connect both antennas for 3G/3G and AUX.

Mount the Antenna

When you pick your antenna, you must also confirm it is mounted correctly. There are a few things to consider when mounting your antenna.

Mounting Bracket Considerations



ATTENTION: It is recommended not to install antennas directly on the router.

- Consider what type of accessories are required for installation. Cables and mounting accessories can be ordered based on your needs.
- It is best to minimize long Radio Frequency (RF) cable runs due to RF signal losses in the cable.
- The ideal location for your antenna is in the line of sight of the counterpart that it is trying to communicate with.
- “Keep the antenna away from metal obstructions such as heating and air-conditioning ducts, large ceiling trusses, building superstructures, and major power cabling runs.
- The density and electromagnetic properties of the materials that are used in the building construction determine the number of walls the signal can pass through and still maintain adequate coverage.

Router Specifications

Attribute	1783-RA2TGB, 1783-RA5TGB	1783-RA2TGC4G, 1783-RA2TGW, 1783-RA2TGC4G, 1783-RA5TGC4G, 1783-RA5TGW, 1783-RA5TGC4G
Temperature, operating	-20°C ≤ Ta ≤ +65 °C (-4°F ≤ Ta ≤ +149 °F)	-20°C ≤ Ta ≤ +60 °C (-4°F ≤ Ta ≤ +140 °F)
Temperature, nonoperating	-40°C < +80 °C (-40°F < +176 °F)	
Temperature, ambient, max	65 °C (149 °F)	60 °C (140 °F)
Temperature, surrounding air, max	65 °C (149 °F)	60 °C (140 °F)
Enclosure type rating	None (open-style)	
IP Rating	IP20	
Voltage and current ratings	Input: 24V DC (9...34V DC), 0.6 A (SELV)	
Wire type	Copper	
Screw torque, power terminals	0.22...0.25 N•m (2.0...2.2 in•lb)	
Battery type	BR1225A 3V	
WiFi module	Type	Half Mini PCIe module
	Standard	IEEE 802.11a/b/g/n ? 2.400÷2.4835GHz / 5.15÷5.85GHz ? Data rate 802.11b: 11Mbps / 802.11a/g: 54Mbps / 802.11n: 300Mbps
	Functionality	client / access point
	Safety	WPA2
	Sensitivity Rx	802.11a: -73dBm / 802.11g: -74dBm / 802.11n(2.4GHz): -72dBm@HT20, -69dBm@HT40 / 802.11n(5GHz): -69dBm@HT20, -68dBm@HT40
	Antenna	2 x RP-SMA-F connector
	Frequency Bands	2400MHz ÷ 2483.5MHz and 5.150GHz ÷ 5.857GHz
	Maximum Tx Power (EIRP)	WiFi: 2400MHz ÷ 2483.5MHz = 19.9dBm WiFi: 5.150GHz ÷ 5.857GHz = 22.7dBm
4G modem	Type	2G / 3G / 4G LTE CAT 4 Multi-Band modem up to 50Mbps upload / 150Mbps download
	Frequency Bands	FDD-LTE: B1 / B2 / B3 / B4 / B5 / B7 / B8 / B12 / B13 / B18 / B19 / B20 / B25 / B26 / B28 / B66 ? TDD-LTE: B34 / B38 / B39 / B40 / B41 ? UMTS / HSDPA / HSPA ++: B1 / B2 / B4 / B5 / B6 / B8 / B19 ? GSM / GPRS / EDGE: 850 / 900/1800/1900 MHz
	Certifications	CE
	Antenna	1 x SMA-F connector
	Maximum Tx Power (EIRP)	LTE-FDD = 23.3dBm LTE-TDD = 22.9dBm WCDMA = 23.4dBm GSM = 30dBm

Antenna Specifications

Antenna Features	1783-SSA2K4G	1783-BSA2KW
Cellular or Wi-Fi	Cellular	Wi-Fi
Description	Two 3G/4G Modem Monopole Steerable Antenna	Two Wi-Fi Dual Band steerable dipole Antenna, Direct or Panel Mount With Separate Cable
Frequency	700...3800 MHz Frequency, Direct or Panel Mount With Separate Cable, Omni-directional	2400...2500 MHz Frequency, 5150...5850 MHz Frequency, Omni-directional
Max Power	10 W	1 W
Ohm Impedance	50 Ohms	50 Ohms
Antenna Gain	1 d Bi Gain	3 d Bi Gain
Size	210.7 mm length, 45 mm diameter	156 mm length, 13 mm diameter
Connector	SMA Male Connector	RP-SMA Male Connectors
Rating	N/A	IP65 rating

Mounting Specifications

Mounting Bracket	1783-MNCBLTE	1783-MNCBWIFI
Cellular or Wi-Fi	Kit 2x - Cellular Antenna Wall Mounting Bracket with integrated SMA(F) connector and 3m integrated cable	Kit 2x - Wi-Fi Antenna Wall Mounting Bracket with integrated SMA(M) connector and 3m integrated cable

Additional Resources

These documents contain additional information concerning related products from Rockwell Automation.

Resource	Description
Stratix 4300 Remote Access Routers, publication 1783-UM014 .	Describes how to use Stratix® 4300 Remote Access™ Routers.
Industrial Automation Wiring and Grounding Guidelines, publication 1770-4.1	Provides general guidelines for installing a Rockwell Automation industrial system.
Product Certifications website, rok.auto/certifications .	Provides declarations of conformity, certificates, and other certification details.

You can view or download publications at rok.auto/literature.

Notes:

Rockwell Automation Support

Use these resources to access support information.

Technical Support Center	Find help with how-to videos, FAQs, chat, user forums, Knowledgebase, and product notification updates.	rok.auto/support
Local Technical Support Phone Numbers	Locate the telephone number for your country.	rok.auto/phonesupport
Technical Documentation Center	Quickly access and download technical specifications, installation instructions, and user manuals.	rok.auto/techdocs
Literature Library	Find installation instructions, manuals, brochures, and technical data publications.	rok.auto/literature
Product Compatibility and Download Center (PCDC)	Download firmware, associated files (such as AOP, EDS, and DTM), and access product release notes.	rok.auto/pcdc

Documentation Feedback





Your comments help us serve your documentation needs better. If you have any suggestions on how to improve our content, complete the form at rok.auto/docfeedback.

Waste Electrical and Electronic Equipment (WEEE)



- This product contains a lithium battery which may need to be replaced during the life of the product. For instructions on the removal and replacement of the battery, refer to Battery Replacement on [page 3](#).
- At the end of its life, the battery contained in this product should be collected separately from any unsorted municipal waste.
- The collection and recycling of batteries helps protect the environment and contributes to the conservation of natural resources as valuable materials are recovered

Rockwell Otomasyon Ticaret A.Ş. Kar Plaza İş Merkezi E Blok Kat:6 34752 İçerenköy, İstanbul, Tel: +90 (216) 5698400 EEE Yönetmeliğine Uygundur

Connect with us.    

rockwellautomation.com ————— **expanding human possibility®**

AMERICAS: Rockwell Automation, 1201 South Second Street, Milwaukee, WI 53204-2496 USA, Tel: (1) 414.382.2000

EUROPE/MIDDLE EAST/AFRICA: Rockwell Automation NV, Pegasus Park, De Kleetlaan 12a, 1831 Diegem, Belgium, Tel: (32) 2663 0600

ASIA PACIFIC: Rockwell Automation SEA Pte Ltd, 2 Corporation Road, #04-05, Main Lobby, Corporation Place, Singapore 618494, Tel: (65) 6510 6608

UNITED KINGDOM: Rockwell Automation Ltd., Pitfield, Kiln Farm, Milton Keynes, MK11 3DR, United Kingdom, Tel: (44)(1908) 838-800

Allen-Bradley, expanding human possibility, Rockwell Automation, Stratix, and Stratix 4300 Remote Access Routers. are trademarks of Rockwell Automation, Inc.

Trademarks not belonging to Rockwell Automation are property of their respective companies.

Publication 1783-IN020E-EN-P - October 2025 | Supersedes Publication 1783-IN020D-EN-P - September 2024

Copyright © 2025 Rockwell Automation, Inc. All rights reserved. Printed in ITALY.



PN-690521

Vendor Code: 80460062.04

PN-690521

DIR 10007178244 (version 04)