

Specifications

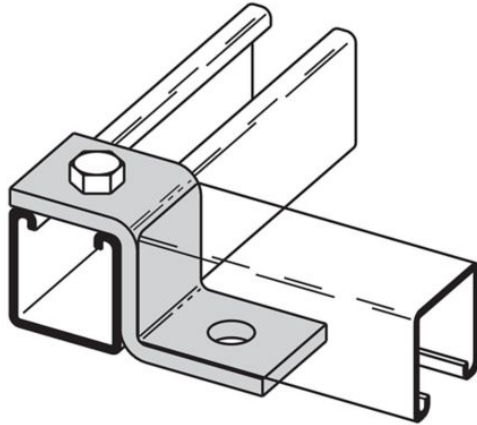


Photo is representative

Eaton B108ZN

Eaton B-Line series offset fitting, 2.12" H x 3.5" L x 1.62" W, Steel, Electro-plated, 1/4" Gauge

General specifications

PRODUCT NAME	Eaton B-Line series offset fitting
CATALOG NUMBER	B108ZN
UPC	781011501334
PRODUCT LENGTH/DEPTH	3.5 in
PRODUCT HEIGHT	2.12 in
PRODUCT WIDTH	1.62 in
PRODUCT WEIGHT	0.55 lb
CERTIFICATIONS	Not Applicable
PRODUCT TYPE	Offset fitting



Powering Business Worldwide

Model

SPECIAL FEATURES	Offset size 2-1/8 in
TYPE	Two hole offset z support

Material/finish

FINISH	Electro-plated
MATERIAL	Steel
MATERIAL GAUGE	1/4"

Resources

CATALOGS	Channel Nuts and Hardware Catalog Section
	Strut Fittings Catalog Section
SPECIFICATIONS AND DATASHEETS	Eaton Specification Sheet - B108ZN

PROJECT NAME:

PROJECT NUMBER:

PREPARED BY:

DATE:



Eaton Corporation plc Eaton House
30 Pembroke Road
Dublin 4, Ireland
Eaton.com

© 2026 Eaton. All Rights Reserved.

Follow us on social media to get the latest product and support information.

