

# Specifications

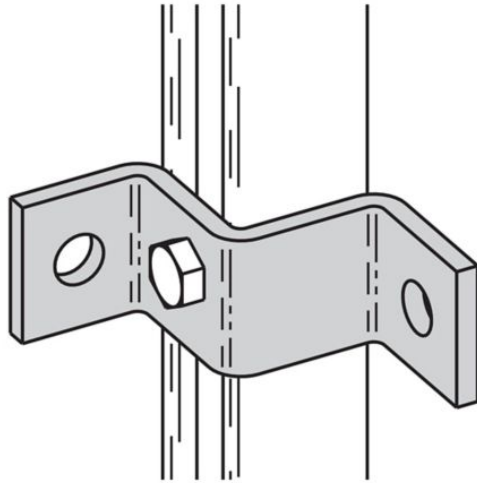


Photo is representative

## Eaton B111ZN

Eaton B-Line series corner connection, 1.62" H x 3.5" L x 1.62" W, Steel, Electro-plated, 1/4" Gauge

### General specifications

<b>PRODUCT NAME</b>	Eaton B-Line series corner connection
<b>CATALOG NUMBER</b>	B111ZN
<b>UPC</b>	781011501532
<b>PRODUCT LENGTH/DEPTH</b>	3.5 in
<b>PRODUCT HEIGHT</b>	1.62 in
<b>PRODUCT WIDTH</b>	1.62 in
<b>PRODUCT WEIGHT</b>	0.68 lb
<b>CERTIFICATIONS</b>	Not Applicable



Powering Business Worldwide

## Model

<b>TYPE</b>	Three hole sheath corner connection
-------------	-------------------------------------

## Material/finish

<b>FINISH</b>	Electro-plated
<b>MATERIAL</b>	Steel
<b>MATERIAL GAUGE</b>	1/4"

## Resources

<b>CATALOGS</b>	<a href="#">Channel Nuts and Hardware Catalog Section</a> <a href="#">Strut Fittings Catalog Section</a>
<b>SPECIFICATIONS AND DATASHEETS</b>	<a href="#">Eaton Specification Sheet - B111ZN</a>

**PROJECT NAME:**

**PROJECT NUMBER:**

**PREPARED BY:**

**DATE:**



**Eaton Corporation plc**  
Eaton House  
30 Pembroke Road  
Dublin 4, Ireland  
Eaton.com

Follow us on social media to get the latest product and support information.



© 2025 Eaton. All Rights Reserved.