

Specifications

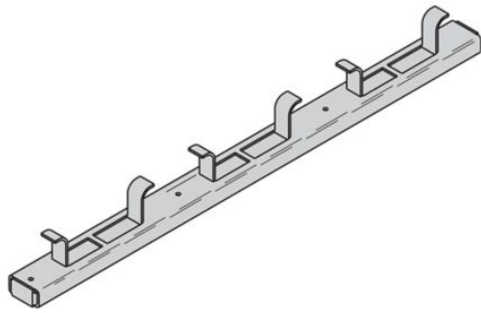


Photo is representative

Eaton B52-I-240GALV

Eaton B-Line series continuous concrete insert for B52 channel, 2.53" H x 240" L x 1.6" W, Steel, 3000 load cap, Pre-galvanized, 12 gauge

General specifications

PRODUCT NAME	Eaton B-Line series continuous concrete insert for B52 channel
CATALOG NUMBER	B52-I-240GALV
UPC	781011349301
PRODUCT LENGTH/DEPTH	240 in
PRODUCT HEIGHT	2.53 in
PRODUCT WIDTH	1.6 in
PRODUCT WEIGHT	2744 lb
CERTIFICATIONS	cUL Listed



Powering Business Worldwide

Material type

FINISH	Pre-galvanized
MATERIAL	Steel
MATERIAL GAUGE	12 gauge

Special features and ratings

LOAD CAPACITY	3000 lbs
----------------------	----------

Other product information

MODEL	B52
--------------	-----

Resources

CATALOGS	Continuous concrete inserts catalog section Seismic bracing for mechanical, electrical, and plumbing systems catalog
SPECIFICATIONS AND DATASHEETS	Eaton Specification Sheet - B52-I-240GALV

PROJECT NAME:

PROJECT NUMBER:

PREPARED BY:

DATE:



Eaton Corporation plc
Eaton House
30 Pembroke Road
Dublin 4, Ireland
Eaton.com

Follow us on social media to get the latest product and support information.



© 2025 Eaton. All Rights Reserved.