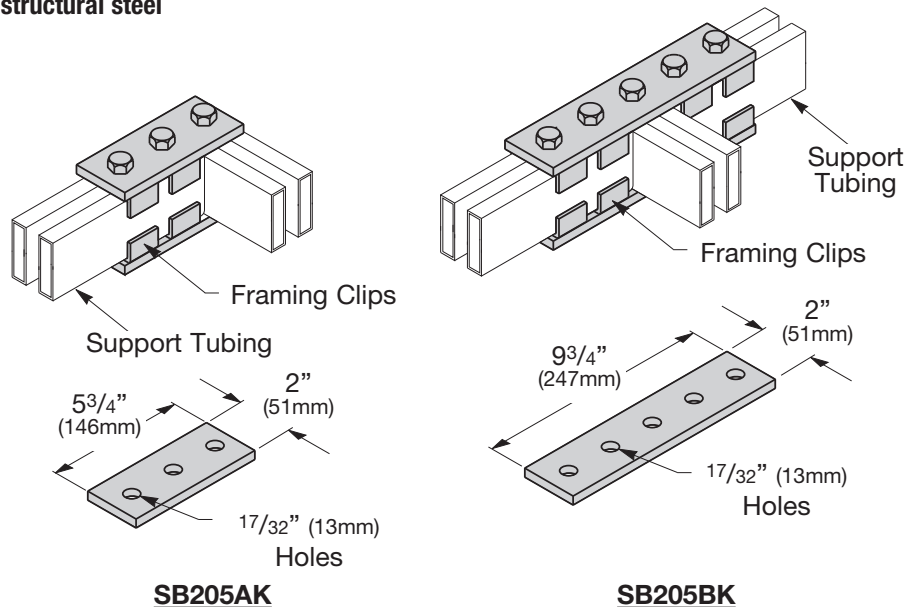


Auxiliary Supports & Accessories

2" x 9/16" Junction Kit

- Use to splice 2" (51mm) x 9/16" (14mm) auxiliary support tubing.
- Can be used as a straight or perpendicular splice.
- SB205AK includes: (2) plates, (6) framing clips, and (3) 1/2"-13 bolts and hardware.
- SB205BK includes: (2) plates, (10) framing clips, and (5) 1/2"-13 bolts and hardware.
- Material: 3/8" (9.5mm) ASTM A36 structural steel
- Finish: Yellow Zinc (YZ)

Holes are on 2" (51mm) centers with first hole 7/8" (22mm) from end to center.



Part Number	Weight	
	Lbs.	(kg)
SB205AK	3.9	(1.77)
SB205BK	6.6	(2.99)

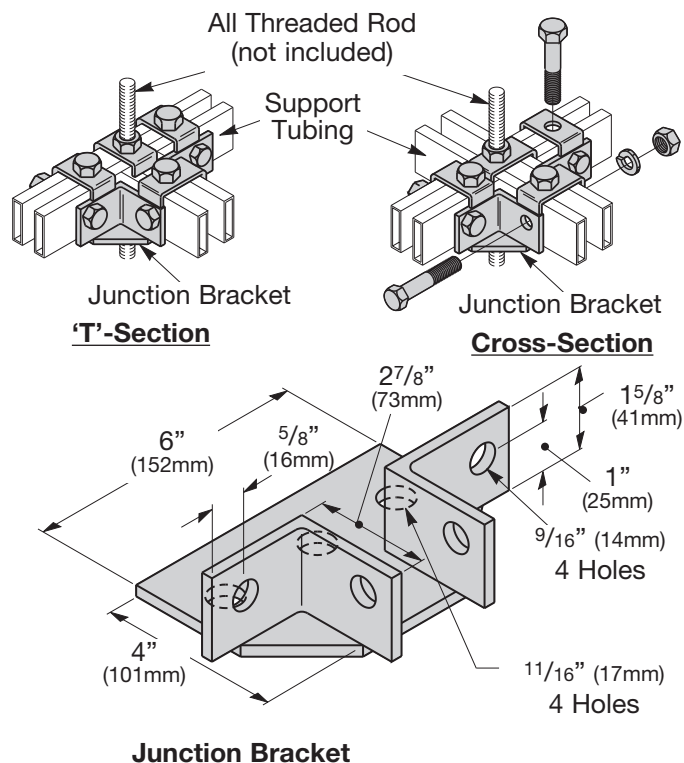
AUXILIARY SUPPORTS & ACCESSORIES

2" x 9/16" Heavy Duty Junction Kit

- Use to suspend and splice 2" (51mm) x 9/16" (14mm) auxiliary support.
- Designed with welded gussets and through bolts for additional strength and rigidity.
- Material: 3/8" (9.5mm) ASTM A36 structural steel
- Finish: Yellow Zinc (YZ)

SB205DK includes

- (1) Junction bracket
- (4) Framing clips
- (3) 5/8"-11 Hex head cap screws
- (5) 5/8" Lockwashers
- (1) 5/8" Flatwashers
- (6) 5/8"-11 Hex nuts.
- (3) 1/2"-13 Hex head cap screws
- (3) 1/2" Lockwashers
- (3) 1/2"-13 Hex nuts.



Part Number	Weight	
	Lbs.	(kg)
SB205DK	1.80	(0.81)