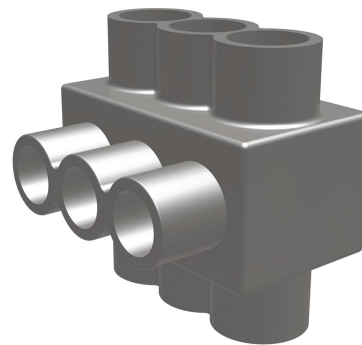


UNITAP™ UV Black Multiple Tap Connector



Features

- UV Rated Covering over AL6061-T6 aluminum body saves time, lowering installation costs and eliminates taping
- Oxide inhibitor pre-installed inhibits moisture and contaminants from entering the contact area
- Range-taking capability reduces the number of connectors necessary to carry in inventory

Application

For Indoor Use Only, Copper Or Stranded Aluminum

Specifications

Buy American Compliant	Contact Manufacturer
EU RoHS Indicator	Yes
Standards - RoHS Compliance Status	CM
UL Listed	Yes
Certification - UL Listed Direct Burial	No
Buy America(n) Qualified	Contact Manufacturer

Conductor

Conductor - Copper Str Size Range	14 AWG - 4 AWG
Conductor Type	AL C Str-Size;CU C Str-Size
Conductor - AL Str Size	8 AWG;6 AWG;4 AWG
Conductor - AL Str Size Range	8 AWG-4 AWG

Configuration

Physical Attribute - Number of Screws	2
Number Of Ports	2

Current

Voltage - Maximum	600 V
-------------------	-------

Dimensions

Dimension - Width inch	1.50 in
Dimension - Width mm	38 mm
Dimension - Height fraction	1.25 in
Dimension - Height inch	1.25 in
Dimension - Height mm	31.8 mm

General

Sub Brand	UNITAP
Material - Hardware	Aluminum
Physical Attribute - Screw Type	Allen
Insulation Type	Plastisol
Trade Name	UNITAP™
Type	BIBD, Multi-Port
UPC 12 Digit	781810294833
UPC 14 Digit GTIN	00781810294833
Material	Aluminum
Hex Key	1/8
UPC	781810294833

Logistics

Minimum Pack Quantity	1
Carton Quantity	100

Operational

Temperature Rating	194
--------------------	-----

Product Assets

- [Catalog \[English\]](#)
- [Catalog \[English\]](#)