

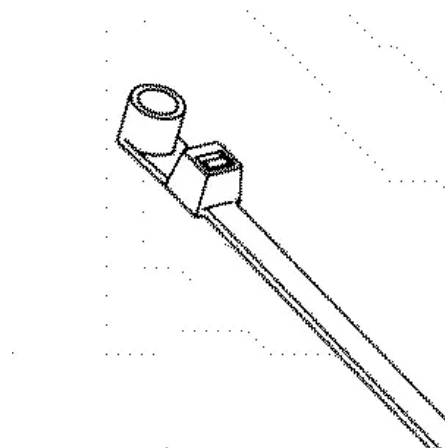


CT120400MH14D, Cable Tie, 120 Lb Tensile, Natural, Screw Mount

By Burndy

Catalog # [CT120400MH14D](#)

Screw Mount UNIRAP Cable Ties.



General

Catalog Number	CT120400MH14D
Color	Natural
Material	NYLON 6/6
Mounting Method	Screw
Operating Temperature Celcius Max	85 °C
Operating Temperature Celcius Min	-40 °C
Rating - Minimum Tensile Strength lbs	120
Trade Name	UNIRAP™
UPC	781810335338
UPC 14 Digit GTIN	00781810335338

Dimensions

Dimension - Bundle Diameter Max inch	4
Dimension - L Length Overall mm	399 mm
Dimension - Length Overall inch	15.70 in
Dimension - Screw Size inch	0.25
Dimension - Width inch	0.30 in

Dimension - Width mm 8 mm

Certifications And Compliance

Certification - 94V0 Rated	N
Certification - ETL	No
Certification - UL Recognized	No
Certification - UV Rated	No
Certification - cULus	No
Standards - RoHS Compliance	CM
Status	
UL Listed	No

Logistics

Carton Quantity	1000
Minimum Pack Quantity	1000
Packaging Type	Bag

Product Assets

[Catalogs - BURNDY Master Catalog - Full Line BURNDY Catalog](#)
[Interactive Catalog - BURNDY Full-Line Digital Catalog](#)
[Product Cross Section Image\(s\) - BUR_CT_MH_UNIRAP_CABLE_TIE_LineArt](#)
[Sales Drawings - 50080813](#)
[Specifications - CT120400MH14D](#)



A Hubbell brand