

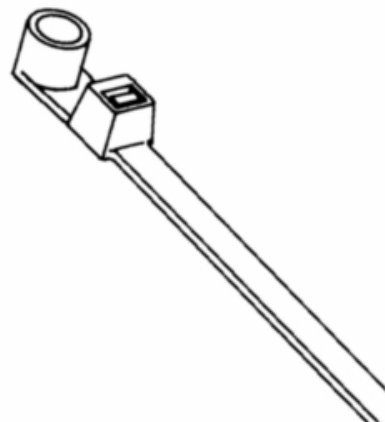


CT18075MH4C, Cable Tie, .75" Max Bundle, 18 Lb Tensile, Natural, Screw Mount

By Burndy

Catalog # [CT18075MH4C](#)

Nylon cable ties, Tensile strength-18 Lbs, Color- Natural, 03.93"L, 0.10"W, 0.75" Bundle Dia.



General

Catalog Number	CT18075MH4C
Color	Natural
Material	NYLON 6/6
Mounting Method	Screw
Operating Temperature Celcius Max	85 °C
Operating Temperature Celcius Min	-40 °C
Rating - Minimum Tensile Strength lbs	18
Trade Name	UNIRAP™
UPC	781810335161

Dimensions

Dimension - Bundle Diameter Max inch	0.75
Dimension - L Length Overall mm	100 mm
Dimension - Length Overall inch	3.93 in
Dimension - Screw Size inch	#4
Dimension - Width inch	0.10 in
Dimension - Width mm	3 mm

Certifications And Compliance

Certification - 94V0 Rated	N
Certification - CSA Approved	No
Certification - ETL	No
Certification - UL Recognized	No
Certification - UV Rated	No
Certification - cULus	No
Standards - RoHS Compliance Status	CM
UL Listed	No

Logistics

Carton Quantity	1000
Packaging Type	Bag

Product Assets

[Catalogs - BURNDY Master Catalog - Full Line BURNDY Catalog](#)
[Catalogs - BURNDY Master Catalog - Section G - Wire Management](#)
[Interactive Catalog - BURNDY Full-Line Digital Catalog](#)
[Product Cross Section Image\(s\) - BUR_CT_MH_UNIRAP_CABLE_TIE_LineArt](#)
[Sales Drawings - 50080813](#)



A Hubbell brand

©2024 Hubbell Incorporated. All rights reserved
BRDY_CA-CT18075MH4C-SPEC-EN | REV 6/2024