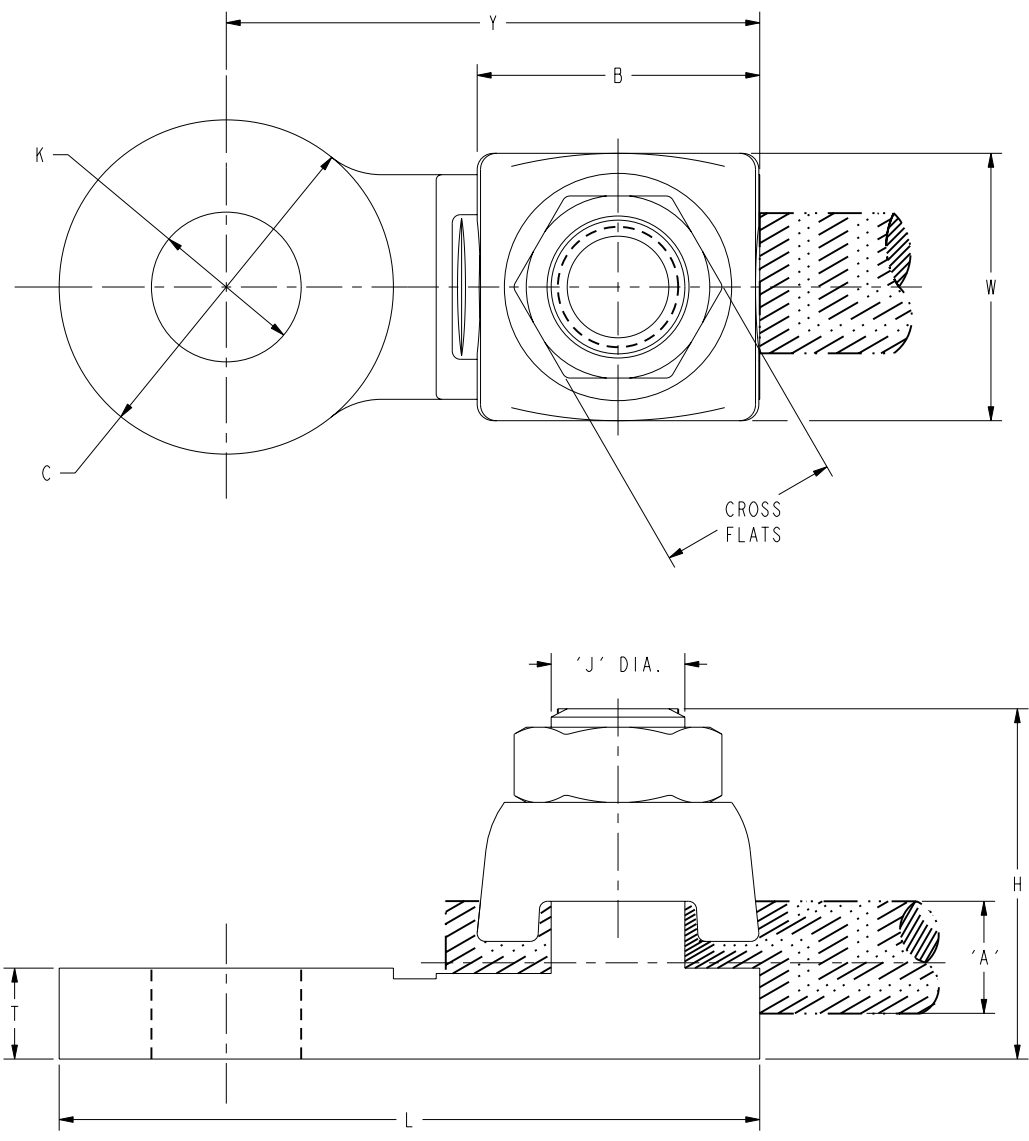


DRAWING NO.
SC027677-01

'A'		CATALOG NO.	B	C	CROSS FLATS	H	J	K	L	T	W	Y	REF. DWG.	COPPER COMMERCIAL CABLE
MIN.	MAX.													
N4(.076 DIA.)	N14(.136 DIA.)	QDA8C	.75	1.00	.56	.69	.469	.44	1.88	.19	*.66	1.38	FC028803	14 SOL. - 8 STR.
N23(.171 DIA.)	N40(.226 DIA.)	QDA4C	.75	1.00	.56	.72	.469	.44	1.88	.22	*.66	1.38	FC028802	8 STR. - 4 STR.
N50(.254 DIA.)	N75(.317 DIA.)	QDA1C	.88	1.00	.56	1.00	.438	.44	2.19	.22	.75	1.69	FA028419	4 STR. - 1 STR.
N100(.363 DIA.)	N125(.407 DIA.)	QDA26	.94	1.25	.69	1.19	.500	.56	2.50	.25	.88	1.88	FC028800	1/0 STR. - 2/0 STR.
N150(.457 DIA.)	N200(.514 DIA.)	QDA28	1.06	1.25	.69	1.31	.500	.56	2.62	.34	1.06	2.00	FC028417	3/0 STR. - 4/0 STR.
N150(.457 DIA.)	N200(.514 DIA.)	QDAN28	1.06	1.25	.69	1.28	.500	.56	2.62	.25	1.06	2.00	FC028799	3/0 STR. - 4/0 STR.
N250(.577 DIA.)	N350(.682 DIA.)	QDAN31	1.19	1.50	.75	1.72	.562	.69	3.00	.31	1.31	2.25	FC028798	250 - 350 kcmil
N400(.742 DIA.)	N500(.833 DIA.)	QDAN34	1.38	1.88	.81	1.94	.875	.81	3.62	.31	1.44	2.69	FC028797	400 - 500 kcmil
N650(.936 DIA.)	N800(1.051 DIA.)	QDAN40	1.62	2.12	1.00	2.34	1.000	1.06	4.19	.38	1.75	3.12	FC028796	600 - 800 kcmil
N1600(1.480 DIA.)	N2000(1.670 DIA.)	QDAN48	2.38	2.75	1.44	3.19	1.000	1.31	5.62	.62	2.38	4.25	FC028795	---

REV	DATE	DESCRIPTION	ECO	BY	C'H'K.
B	02/16/2001 00:00:00 AM	ADD CATALOG NUMBER AND COMMERCIAL CABLE SIZES.	26788	AD	MA



- NOTES:
1. MATERIAL: CAST COPPER ALLOY.
 2. * CROSS CORNERS OF NUT.
 3. NOT UL LISTED.

TO ORDER BURNDY® PRODUCTS CALL		QIKLUG (NAVY)	
UNITED STATES		ITEM NO: N/A	
1-800-346-4175 (LONDONDERRY, NH)		CAT. NO: QDA & QDAN-(TABLE)	
CANADA:		DRAWN BY: JJL 12-30-52	
1-800-361-6975 (QUEBEC)		CHECKER: -- 12-31-52	
1-800-387-6487 (ALL OTHER PROVINCES)		DSN APPVL: --	
FOR PRODUCT INFO: http://www.burndy.com		MFG APPVL: --	
		QA APPVL: --	
		MKT APPVL: --	
		PROD FAM: --	
		PROJECT #: --	
		DOCUMENT TYPE: Sales	
		REL LEVEL: Released	
		SCALE: 2:1	
		DRAWING NO	REV
		SC027677-01	B
		SHEET 1 OF 1	

REV: PE0200