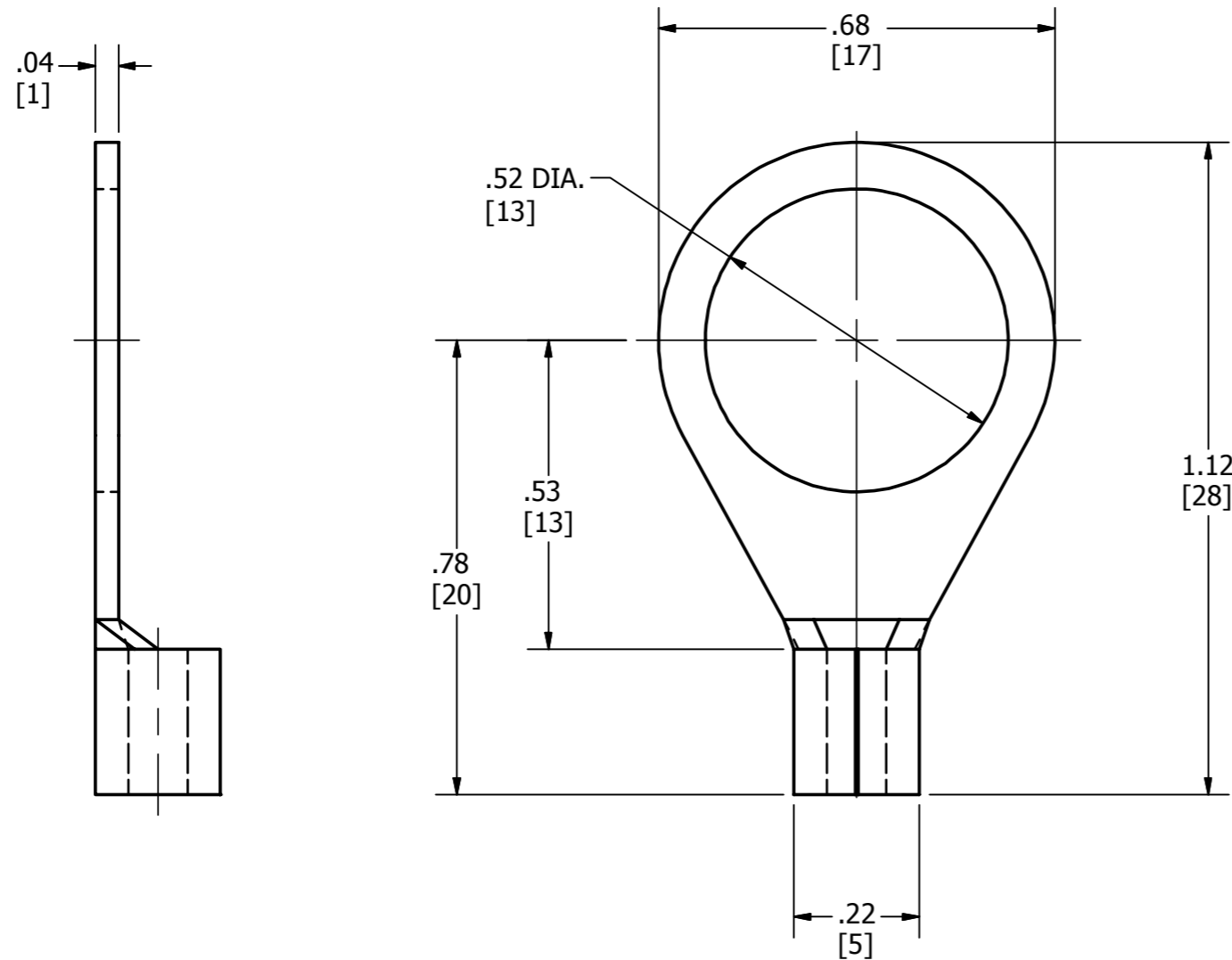


CATALOG NO.	WIRE SIZE AWG	STUD SIZE [mm]
T1012	12-10	1/2 [M12]

REV	DATE	DESCRIPTION	ECO	BY	C'H'K.
A	08/16/2013	REDRAWN IN INVENTOR	32719	PB	VK



NOTES:

1. DIMENSIONS IN BRACKETS [] ARE IN MILLIMETERS ROUNDED OFF TO THE NEAREST MILLIMETER, UNLESS OTHERWISE SPECIFIED AND ARE FOR REFERENCE ONLY.
2. MATERIAL: COPPER
3. FINISH: TIN PLATED

TO ORDER BURNDY® PRODUCTS CALL		BARE BUTTED SEAM TING TONGUE	
UNITED STATES		ITEM NO: 30008897	
1-800-346-4175 (LONDONDERRY, NH)		CAT. NO: T1012	
CANADA:		DRAWN BY: PARTHIBAN B 8/16/2013	
1-800-361-6975 (QUEBEC)		CHECKER: E MARTIN 8/5/2013	
1-800-387-6487 (ALL OTHER PROVINCES)		DSN APRVL: E MARTIN 8/5/2013	
FOR PRODUCT INFO: http://www.burndy.com		MFG APRVL: --	
		QA APRVL: C KOWALCZYK 8/6/2013	
		MKT APRVL: M BAILY 8/9/2013	
		PROJ #: --	
		PROJ #: --	
		DRAWING NO	
		30002338	
		REV	
		A	
		SHEET 1 OF 1	
		REL LEVEL: Released	