

Stainless Steel Clamp Back

Features

- Manufactured in type 316 stainless steel to meet any stringent sanitary condition
- Polished with standard “brite” finish to increase corrosion resistance and aesthetic appearance
- Designed for use with Calbrite One Hole Straps
- No package quantity required

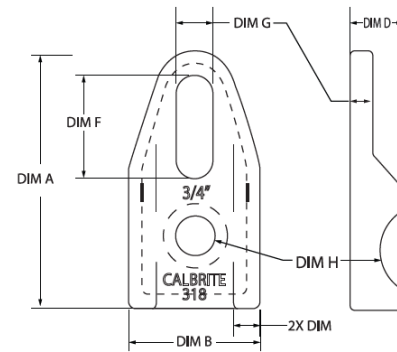


Applications

The stainless steel one piece clamp backs and clamp back spacers provide spacing from the mounting surface when securing both cable and conduit.

Domestic Ordering

Part Number marked with an * are also available domestically to meet the Made in America standards. To order the domestic version, add -DOM to the end of the part number.



Part Number	Trade Size (in)	A (in)	B (in)	C (in)	D (in)	F (in)	G (in)	H (Dia) (in)	Weight per each (lb)
S60500CB00*	½	2.50	1.30	0.25	0.50	1.00	0.38	0.38	0.15
S60700CB00*	¾	2.50	1.30	0.25	0.56	1.00	0.38	0.38	0.15
S61000CB00*	1	2.50	1.30	0.25	0.62	1.00	0.38	0.38	0.15

All dimensions are for informational purposes only
*Tolerances +/- 2.5%