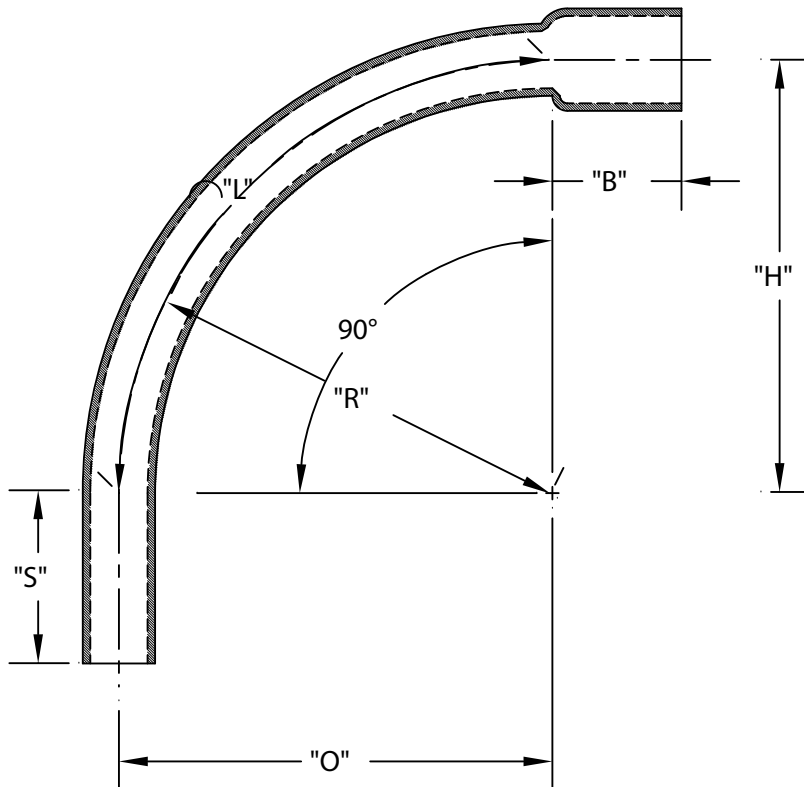


PART NUMBRT	SIZE	"R"	"O"	"H"	"S" MIN	"B" MIN	"L"
5123868	2"	36"	36"	36"	2"	2"	56 1/2"
5123872	3"	36"	36"	36"	3 1/8"	2 1/2"	56 1/2"
5123876	4"	36"	36"	36"	3 3/8"	3 1/4"	56 1/2"
5123880	5"	36"	36"	36"	3 5/8"	4 1/4"	56 1/2"
5123884	6"	36"	36"	36"	3 3/4"	5"	56 1/2"



CONFORMS TO NEMA TC 6&8
 MATERIAL IS HIGH MODULUS (HM) 500,000 psi
 BEND TOLERANCE IS $\pm 2^\circ$
 "B" TOLERANCE IS $-1/8", +1/2"$

CANTEX
INC.

Fort Worth, TEXAS

90° Elbows Bell End
DB60 36" Radius Elbows

Drawn By: DS FRANK

Date: 6/15/2011

Ref.