

Carlton®

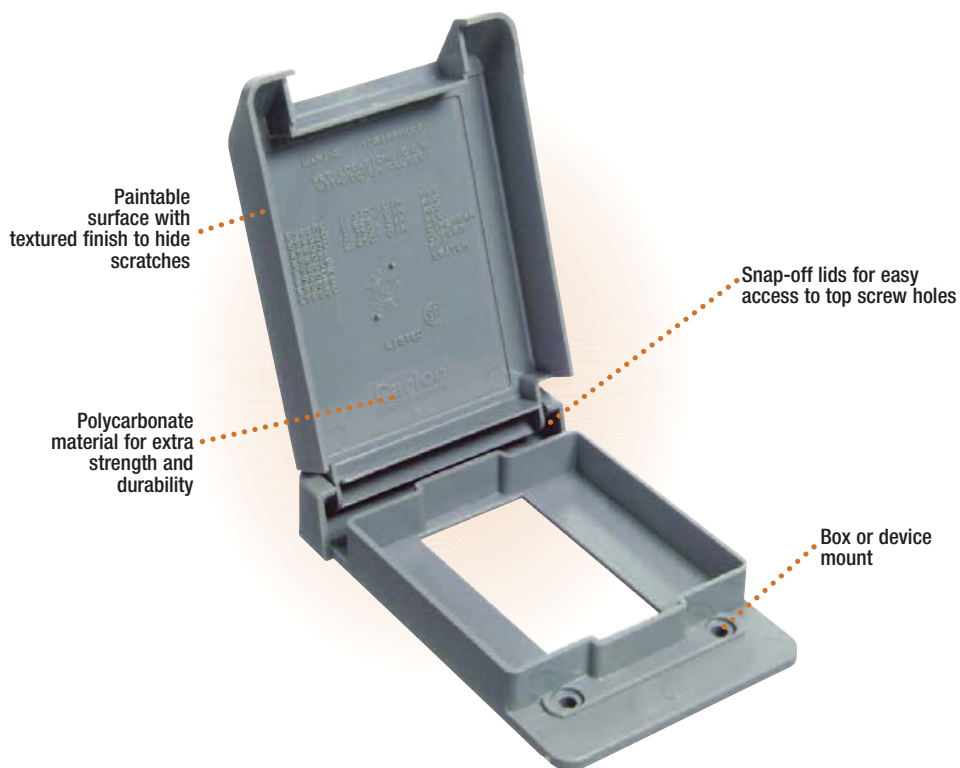
Weatherproof Covers, Lampholders and Fixtures

- Lampholders114–115
- Weatherproof Covers108–110
- Weatherproof Fixture113
- While-In-Use
Weatherproof Covers111–112



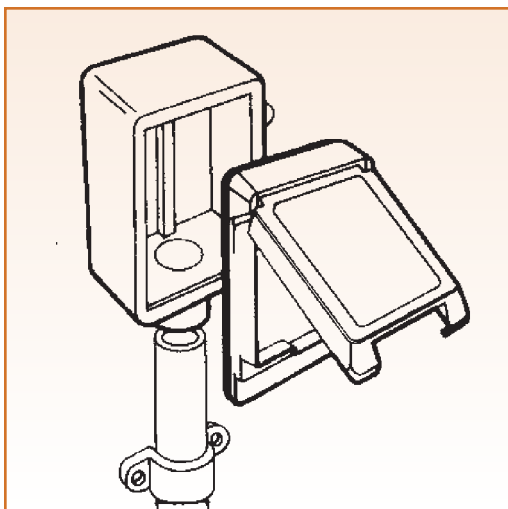
Product Overview

- UV Resistant – Suitable for outdoor use
- Fits all standard receptacles
- Non-metallic/Non-corrosive
- UL Marine Listed
- CSA Certified



Installation

Includes base, cover, gasket and mounting screws



Box Mounting

1. TURN OFF POWER.
2. Place gasket on top of outlet box.
3. Attach the device to the box.
4. Fasten cover to outlet box.

Note: These covers must be mounted in accordance with all local and CEC requirements.

Device Mounting

1. TURN OFF POWER.
2. Place gasket on top of outlet box.
3. Fasten cover to outlet box.
4. To ensure a weatherproof seal, use a 1/4" minimum bead of RTV type silicone, neoprene, urethane, or polyurethane caulking between gasket and mounting surface.

Note: These covers must be mounted in accordance with all local and CEC requirements.



Single Gang – Vertical Mount

- For use in wet/damp locations
- Mounts to a box or device
- Non-metallic. Won't rust or fade
- Paintable
- Easy to install

15 AMP Receptacle



Cat. No.	Color	Std Ctn Qty	Std Ctn Wt. (lb)
E98SRCN-CAR	Grey	10	2.1

For 15 amp or other single receptacles under 1.375" diameter.

20 AMP Receptacle



Cat. No.	Color	Std Ctn Qty	Std Ctn Wt. (lb)
E98G20N	Grey	20	4.1

For 20 amp or other single receptacles under 1.625" diameter.

30 AMP Receptacle



Cat. No.	Color	Std Ctn Qty	Std Ctn Wt. (lb)
E98G30N-CAR	Grey	10	2.1

For 30 amp or other single receptacles under 1.750" diameter.

Single Switch



Cat. No.	Color	Std Ctn Qty	Std Ctn Wt. (lb)
E98SSCM-CAR	White	10	2.1
E98SSCN-CAR	Grey	10	2.1

50 AMP Receptacle



Cat. No.	Color	Std Ctn Qty	Std Ctn Wt. (lb)
E98G5FN-CAR	Grey	10	2

For 50 amp or other single receptacles under 2.250" diameter.

Duplex Receptacle



Cat. No.	Color	Std Ctn Qty	Std Ctn Wt. (lb)
E98GDRM-CAR	White	10	2
E98GDRN-CAR	Grey	10	2

GFI Receptacle



Cat. No.	Color	Std Ctn Qty	Std Ctn Wt. (lb)
E98GFCB-CAR	Bronze	10	2
E98GFCM-CAR	White	10	2
E98GFCN-CAR	Grey	10	2

Device opening dimensions: 2.63" H x 1.31" W.

Toggle Switch



Cat. No.	Color	Std Ctn Qty	Std Ctn Wt. (lb)
E98TSCM-CAR	White	5	1.1
E98TSCN	Grey	10	1.1
E98TSCN-CAR	Grey	8	0.8

Blank



Cat. No.	Color	Std Ctn Qty	Std Ctn Wt. (lb)
E980CM-CAR	White	12	1.60
E980CN-CAR	Grey	12	1.60

Fits Carlton® single gang FS boxes. Supplied with stainless steel mounting screws and gasket.

Plunger Style



Cat. No.	Color	Std Ctn Qty	Std Ctn Wt. (lb)
E98PSC	Grey	20	5.0



Single Gang – Horizontal Mount

Duplex Receptacle



Cat. No.	Color	Std Ctn Qty	Std Ctn Wt. (lb)
E98DHGB-CAR	Bronze	10	3.9
E98DHGM-CAR	White	10	3.9
E98DHGN-CAR	Grey	10	3.9

GFI Horizontal



Cat. No.	Color	Std Ctn Qty	Std Ctn Wt. (lb)
E98GHGB-CAR	Bronze	10	1.9
E98GHGM-CAR	White	10	1.9
E98GHGN-CAR	Grey	10	1.9

Device opening dimensions: 2.63" W x 1.31" H.

Double Gang

- For use in wet/damp locations
- Mounts to a box or device
- Non-metallic. Won't rust or fade
- Paintable
- Easy to install

Double Duplex



Cat. No.	Color	Std Ctn Qty	Std Ctn Wt. (lb)
E9G2DDM-CAR	White	10	2.3
E9G2DDN-CAR	Grey	10	2.3

Combination Toggle/GFI



Cat. No.	Color	Std Ctn Qty	Std Ctn Wt. (lb)
E9G2GTN-CAR	Grey	5	1.3

Double Toggle



Cat. No.	Color	Std Ctn Qty	Std Ctn Wt. (lb)
E9G2SSN	Grey	6	3.2

Combination Toggle/Duplex Receptacle



Cat. No.	Color	Std Ctn Qty	Std Ctn Wt. (lb)
E9G2DSN-CAR	Grey	10	1.3

Two Gang

Fits Carlton® two gang FS boxes and other non-metallic and metallic FS boxes. Supplied with stainless steel mounting screws and gasket.



Cat. No.	Color	Std Ctn Qty	Std Ctn Wt. (lb)
E9802CM-CAR	White	10	2.17
E9802CN-CAR	Grey	10	2.17

Vertical – For Indoor use only – Not Weatherproof

Single Toggle



Cat. No.	Color	Std Ctn Qty	Std Ctn Wt. (lb)
E98STSC	Grey	100	11.0

Single Duplex Receptacle



Cat. No.	Color	Std Ctn Qty	Std Ctn Wt. (lb)
E98SGD	Grey	20	5.0

Single 15 AMP Receptacle



Cat. No.	Color	Std Ctn Qty	Std Ctn Wt. (lb)
E98SG15	Grey	100	8.0

Product Overview

- NEMA Type 3R Rated
- Meets CEC Subrule 26-702
- UV Resistant – suitable for outdoor use
- Fits all standard receptacles
- Non-metallic/Non-corrosive
- CSA Certified

Paintable surface with textured finish to hide scratches

Polycarbonate/PVC material for extra strength and durability

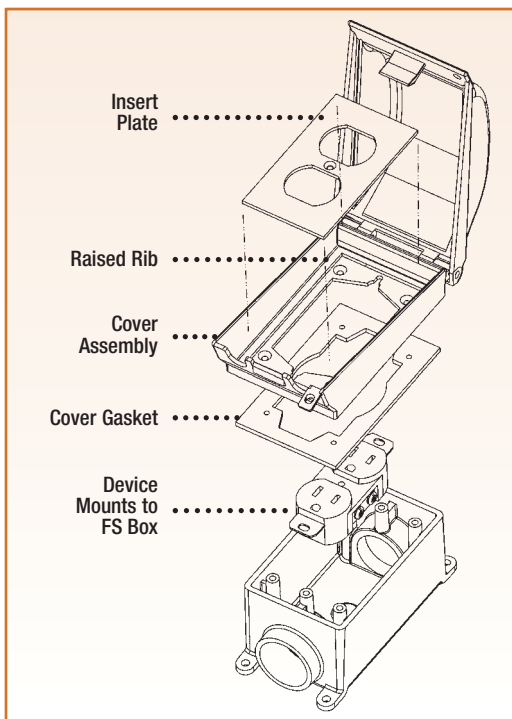
Raised Rib

Lockable: drill a 7/32" hole



Installation

Includes base, cover, device plates, gasket and mounting hardware



Box Mounting

1. TURN OFF POWER.
2. Mount electrical device to outlet box.
3. Place gasket on top of outlet box.
4. Fasten cover to outlet box.
5. Secure insert plate to cover.
6. Lockable feature – Drill a 7/32" hole in cover – starting point provided.

Note: These covers must be mounted in accordance with all local and CEC requirements.

Carlton® In-Use Weatherproof Covers – Non-Metallic



Single Gang

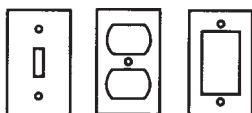
- For use in wet/damp locations
- Weatherproof while in use
- Mounts to a box or device
- Non-metallic. Won't rust or fade
- Paintable
- Easy to install

Standard Covers – 2.64" Depth

Vertical Mount



Inserts



Cat. No.	Color	Std Ctn Qty	Std Ctn Wt. (lb)
E9UVCRN2	Clear	12	5.0
E9UVGRN2	Grey	12	5.2
E9UVWRN2	White	12	5.3

Standard Covers – 2.53" Depth

Horizontal Mount



Inserts



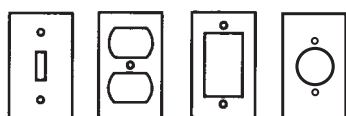
Cat. No.	Color	Std Ctn Qty	Std Ctn Wt. (lb)
E9UHCRN2	Clear	4	2.0
E9UHGRN2	Grey	4	2.1
E9UHWRN2	White	4	2.2

Deep Covers – 4.14" Depth

Vertical Mount



Inserts



Cat. No.	Color	Std Ctn Qty	Std Ctn Wt. (lb)
E9UDVCRN2	Clear	8	8.6
E9UDVGRN2	Grey	8	5.8
E9UDVWRN2	White	8	5.8

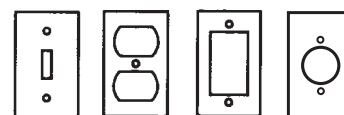
Double Gang

- For use in wet/damp locations
- Weatherproof while in use
- Mounts to a box or device
- Non-metallic. Won't rust or fade
- Paintable
- Easy to install

Standard Covers – 2.64" Depth



Inserts



Cat. No.	Color	Std Ctn Qty	Std Ctn Wt. (lb)
E9U2CRN2	Clear	6	4.1
E9U2GRN2	Grey	6	4.2
E9U2WRN2	White	6	4.3



Carlton® Metallic Weatherproof Fixtures

- Low maintenance indoor/outdoor lighting where moisture, dirt or corrosion are problems
- Heavy-duty die cast aluminum housing
- Durable polyester powder coating
- One piece die cast aluminum guards
- Medium base porcelain socket
- Screw in glass globe
- 120V 150 watt maximum incandescent bulbs only
- Suitable for wet applications
- cULus Listed

Kit includes

- Aluminum housing
- Junction box
- Globe
- Guard assembly

Ceiling Mount



Cat. No.	Std Ctn Qty	Std Ctn Wt. (lb)	Case Cube (Cu. ft.)
MCL150C	6	13.8	0.81

Fixture can be surface mounted or mounted to a junction box and is listed for through branch wiring

Wall Mount



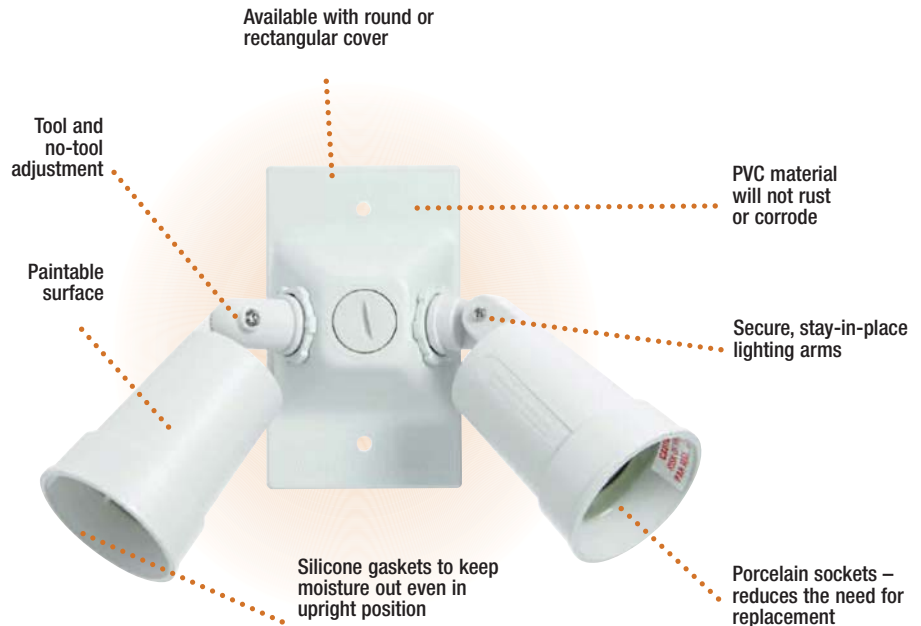
Cat. No.	Std Ctn Qty	Std Ctn Wt. (lb)	Case Cube (Cu. ft.)
MCL150W	6	17.8	1.05

Fixture can be mounted in a vertical position (globe pointing down only).

Carlton® Weatherproof Lampholders – Non-Metallic

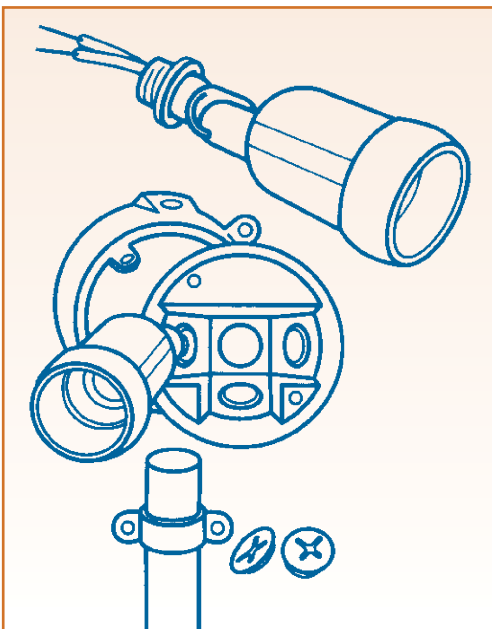
Product Overview

- UV Resistant – Suitable for outdoor use
- Accepts 150 watts max. or 300 watts (incandescent only)
- Non-metallic/Non-corrosive
- c-UL Listed
- Approved for upward use in wet locations



Installation instructions

Includes gasket, wire connectors and two mounting screws





UL US
LISTED
E51763
E77360
Except where noted by ♦

Lampholders

- For use in wet/damp locations
- Ideal for residential or commercial applications – security/landscape
- Mounts to a device box
- Non-metallic. Won't rust or fade
- Paintable
- Easy to install
- Stay-in-place lighting arms

Lampholder with Round Cover



Cat. No.	Color	Std Ctn Qty	Std Ctn Wt. (lb)
P8010W-CAR	White	6	3.9

Lampholder with Rectangular Cover



Cat. No.	Color	Std Ctn Qty	Std Ctn Wt. (lb)
P8005W-CAR	White	6	3.8

No-Tool Lampholder with Round Cover



Cat. No.	Color	Std Ctn Qty	Std Ctn Wt. (lb)
P8060G-CAR	Grey	6	5.8
P8060W-CAR	White	6	5.8

Round Box

With five 1/2" threaded holes. Mounting feet included.



Cat. No.	Color	Size (in.)	Std Ctn Qty	Std Ctn Wt. (lb)
♦ CE365D-CTN	Grey	1/2	10	1.2
♦ CE365DW-CTN	White	1/2	10	1.2

Weatherproof "T" Boxes

Single Gang "T" Boxes

With three 1/2" threaded holes. Mounting feet included.



Cat. No.	Color	Size (in.)	Std Ctn Qty	Std Ctn Wt. (lb)
♦ CE381D-CTN	Grey	1/2	10	2.3
♦ CE381DW-CTN	White	1/2	10	1.8

Double Gang "T" Boxes

With three 1/2" and four 3/4" threaded holes. Mounting feet included.



Cat. No.	Color	Size (in.)	Std Ctn Qty	Std Ctn Wt. (lb)
♦ CE382DE	Grey	1/2	6	3.6
♦ CE382DEW	White	1/2	6	3.6

Covers

Rectangular



Cat. No.	Color	Std Ctn Qty	Std Ctn Wt. (lb)
P7901W-CAR	White	18	0.9

Round



Cat. No.	Color	Std Ctn Qty	Std Ctn Wt. (lb)
P7801W-CAR	White	16	1.6

Accessories

No-Tool-Lampholder with Gasket



Cat. No.	Color	Std Ctn Qty	Std Ctn Wt. (lb)
P8001W-CAR	White	24	5.5

Closure Plugs



Cat. No.	Color	Std Ctn Qty	Std Ctn Wt. (lb)
♦ P7701W-CAR	White	30	1.3