

# EFH flexible cushion luminaire hangers

For pendant mount

Cl. I, Div. 1 & 2, Groups C, D  
Cl. II, Div. 1, Groups E, F, G  
Cl. II, Div. 2, Groups F, G  
Cl. III

Explosionproof  
Dust-ignitionproof

6L

## Applications:

EFH flexible cushion luminaire hangers are used in hazardous locations:

- Where a luminaire must hang more than 12" from its supporting junction box (as required by NEC Article 501 and CEC Part I, Section 18)
- To assure that luminaires hang plumb and will swing freely if accidentally struck; prevents damage to luminaire, stem and supporting outlet box
- To provide a cushion support, prolonging lamp life and protecting the luminaire from shock and vibration; for luminaires weighing up to 65 lbs.

## Features:

- Complies with NEC Article 501 and CEC Part I, Section 18
- Free swinging in any direction through an angle of 15° from perpendicular
- Weight of luminaire is supported by a high strength brass bellows and a stainless steel cushioning spring
- Two part assembly consisting of luminaire hanger cover and CPS12 outlet box; provides a wide variety of conduit arrangements; a set screw locks the conduit stem in place

## Certifications and compliances:

### NEC/CEC:

- Class I, Groups C, D
- Class II, Groups E, F, G
- Class III

### UL standard:

- UL1203

### CSA standard:

- C22.2 No. 30

## Standard material:

- Feraloy iron alloy

## Standard finish:

- Electrogalvanized and aluminum acrylic paint

## Size ranges:

- Conduit hubs – 3/4" with 3/4" to 1/2" reducers
- Luminaire stem – 1/2" and 3/4"
- Luminaire weight – 65 lbs. maximum

## Ordering information:

### EFHX



### EFH

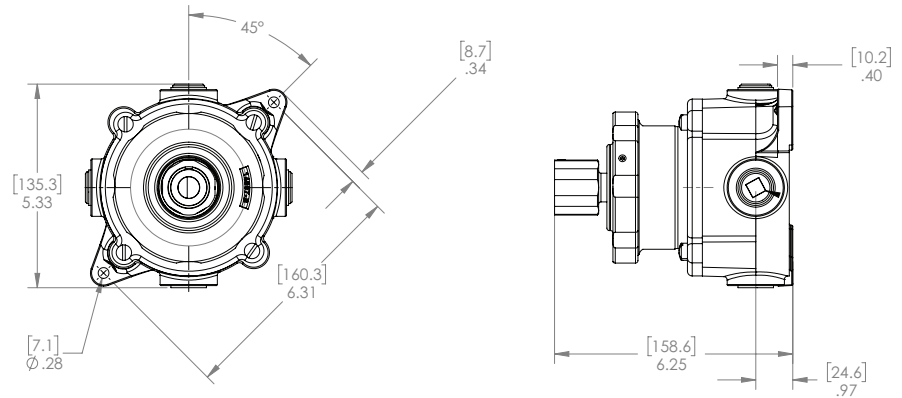
(Cushion luminaire hanger only)



Body hub size <sup>A</sup>	Luminaire stem size	Cat. # With mounting feet
1/2" and 3/4"	1/2"	EFHX111
1/2" and 3/4"	3/4"	EFHX221

Luminaire stem size	Cat. #
1/2"	EFH01
3/4"	EFH02

## Dimensions (in inches):



<sup>A</sup>Furnished with four 3/4" standard taper tapped, integrally bushed hubs. Each hub as a 3/4" to 1/2" reducer. Three hubs are plugged.