

# EXL explosionproof exit signs

Cl. I, Div. 1 & 2, Groups C, D  
Cl. I, Zone 1, IIB  
Cl. II, Div. 1, Groups E, F, G

7L

## Applications:

EXL exit signs are used:

- In locations deemed hazardous due to the presence of flammable vapors or gases, or combustible dusts
- In any building or enclosed area where people work, where illuminated exit signs are required
- To provide distinct, highly visible exit marking
- To indicate the direction of travel to exits

## Features:

- Two incandescent lamps (not included) wired in parallel – to provide extra margin of light source reliability
- Solid state circuit for extended lamp life in AC units
- Six inch red letters on white acrylic sign panel make word "EXIT" stand out boldly and clearly
- Edge lighting characteristic of sign panel makes visibility excellent at all lighting levels
- Factory sealed explosionproof housing
- Pendant, wall and end bracket mounts provide universal installation options
- Impact-resistant acrylic sign panel needs no guard – makes cleaning easy
- Internal rectifier extends lamp life beyond 1,000 hour rated life – reduces relamping cost
- Relamping tool provided
- ECT413 transformer (277V-120V)

## Certifications and compliances:

### NEC:

- Class I, Divisions 1 & 2, Groups C, D
- Class II, Division 1, Groups E, F, G

### UL standard:

- UL844

### NFPA:

- NFPA Life Safety Code No. 101-1991

## Standard materials:

- Body – copper-free aluminum
- Sign panel – acrylic

## Lamp wattages:

- Two 60W, 60T10 clear lamps for AC units
- Two 25W, 25T10 clear lamps for DC units
- Lamps not included with luminaire

## Electrical ratings:

- 120 VDC or 120 VAC operation

## Options:

### Description

### Suffix

- Exit sign with green lettering on white background..... **GN**
- Unit provided with epoxy powder coat..... **S752**
- 277 VAC..... **Order ECT413 transformer separately**



ECT413

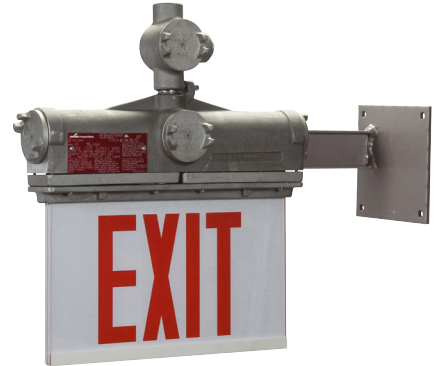
## Temperature performance data:

(For both AC and DC operation)

Ambient temp. °C	Class I (C, D); Class II (E, F, G)	Supply wire °C
25	T3C	150
40	T3C	—



Pendant mount



End bracket mount



Wall mount

7L

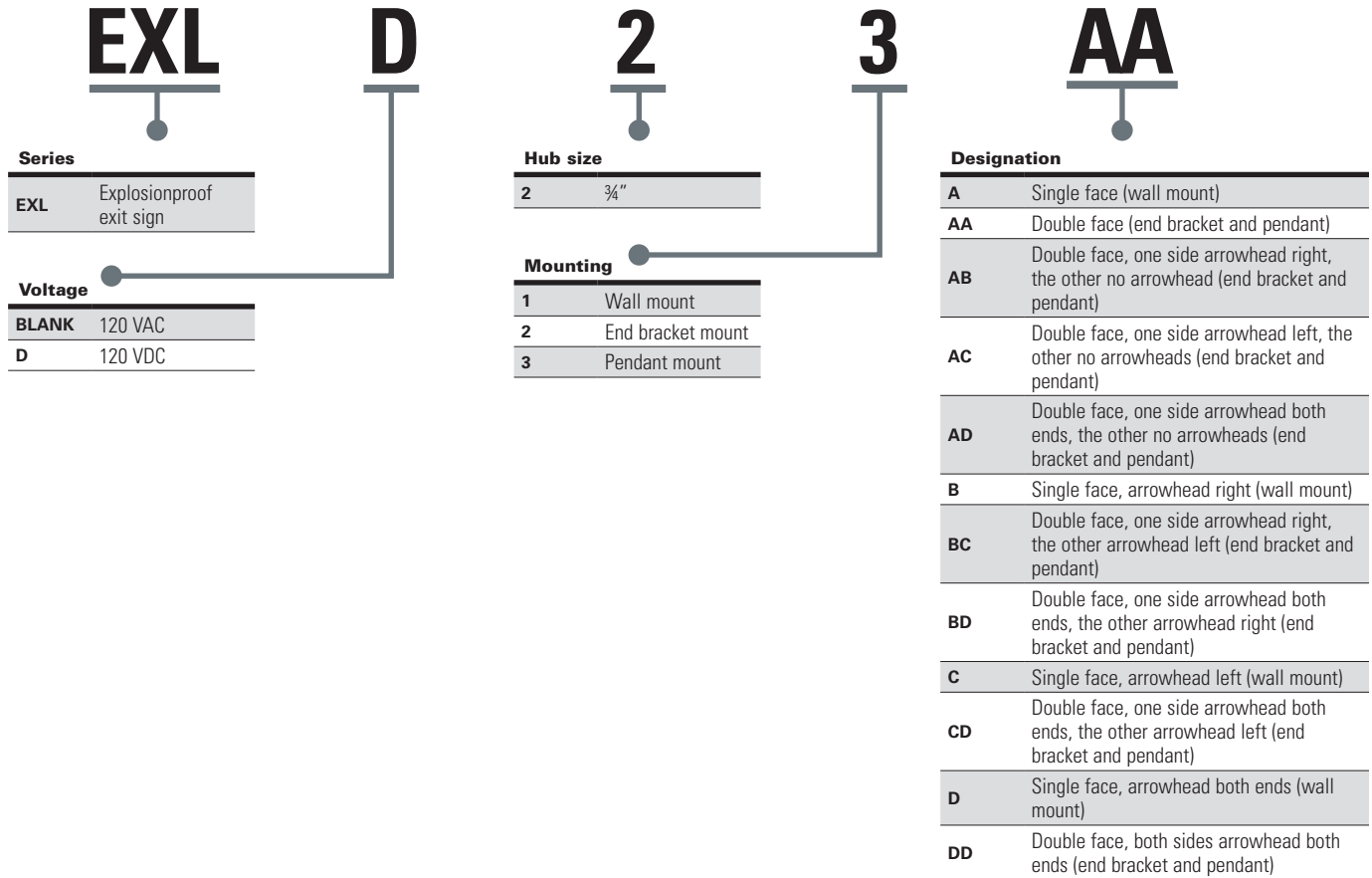
# EXL explosionproof exit signs

Cl. I, Div. 1 & 2, Groups C, D  
Cl. I, Zone 1, IIB  
Cl. II, Div. 1, Groups E, F, G

7L

## Ordering information:

Part number example  
EXLD23AA

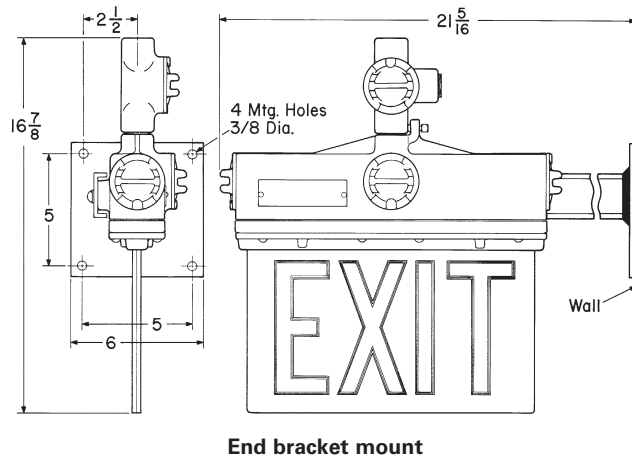
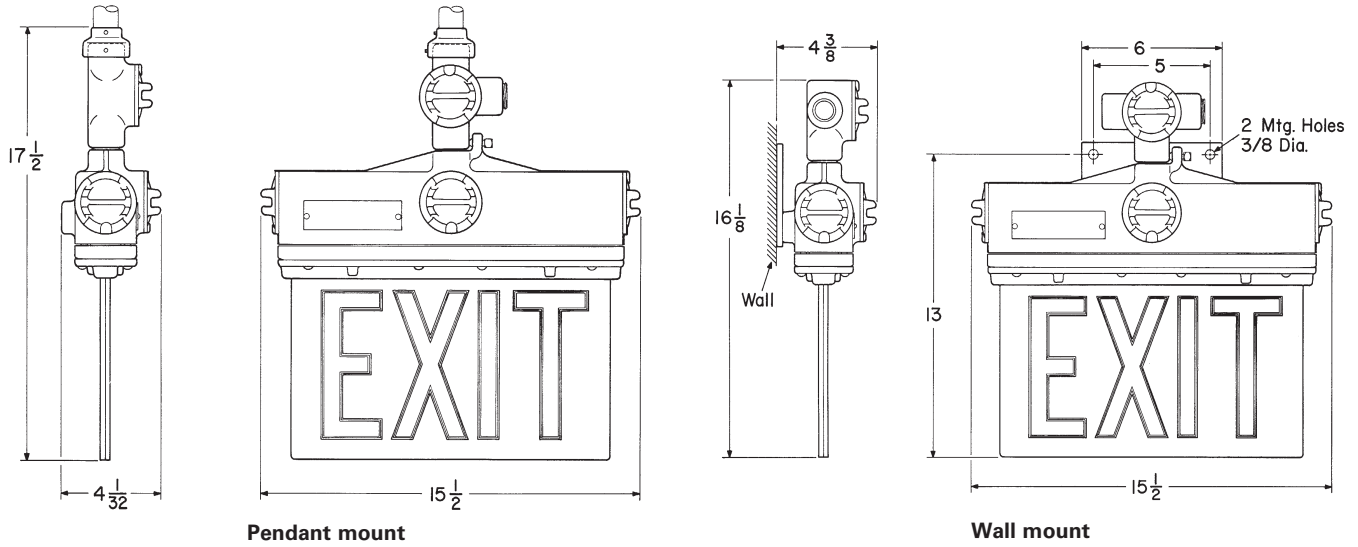


# EXL explosionproof exit signs

Cl. I, Div. 1 & 2, Groups C, D  
 Cl. I, Zone 1, IIB  
 Cl. II, Div. 1, Groups E, F, G

7L

## Dimensions (in inches):



7L