

Condulet FS and FD blank device boxes – cast iron

See pages 39-47 for
accessories

Blank bodies with mounting lugs for drilling and tapping
Single-gang, multi-gang, tandem

Applications:

Blank cast device boxes are used:

- Where several wiring devices are to be grouped together
- To assemble special combinations of wiring devices
- Where special arrangements of conduit hubs or entrances are required

Features:

- Available in shallow (FS) or deep (FD) configurations
- FS/FD bodies have thick walls for drilling and tapping conduit entrances
- Internal green ground screw standard on boxes
- Available in single-, two-, three-, four- and five-gang, and two-gang tandem bodies
- Cast mounting lugs at diagonally opposite corners
- For a wide selection of standard surface or flush covers, see pages 39-47

Certifications and compliances:

- UL standard: 514A
- CSA standard: C22.2 No. 18

Standard material:

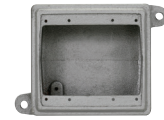
- Feraloy iron alloy

Standard finish:

- Feraloy – electrogalvanized and aluminum acrylic paint



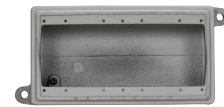
FS019, FD019 – single-gang



FS062, FD062 – two-gang



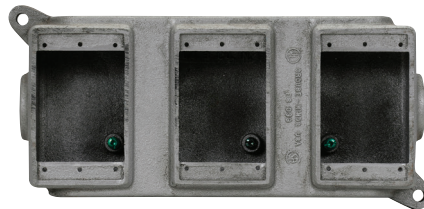
FS063, FD063 – three-gang



FS094, FD094 – four-gang



FS029, FD029 – two-gang



FS039, FD039 – three-gang



FS097, FD097 – two-gang tandem



FD04 – four-gang



FD05 – five-gang

Ordering information:

Description	Cat. # Shallow	Cat. # Deep
Single-gang	FS019	FD019
Two-gang	FS029	FD029
Three-gang	FS039	FD039 ^A
Four-gang		FD04
Five-gang		FD05
Two-gang (takes one two-gang cover)	FS062	FD062
Three-gang (takes one three-gang cover)	FS063	FD063
Four-gang (takes one four-gang cover)	FS094	FD094
Two-gang tandem	FS097	FD097

^A Available in copper-free aluminum. To order, add suffix 'SA' to end of catalog number.

Condulet FS and FD blank device boxes – cast iron

Blank bodies for drilling and tapping
Single-gang, multi-gang, tandem

Ordering information:

To order one of the blank bodies with drilled and tapped holes listed on page 33, proceed as follows:

Step 1

Select the required box.

Step 2

Select the arrangement that meets the requirements from Table 1.

Step 3

Determine the maximum size and spacing of conduit openings from Table 2.

Step 4

Substitute the appropriate symbol from Table 4 for each conduit entrance, using "0" (zero) for those locations on arrangement where an entrance is not required.

Example:

Step 1 – box required FS062

Step 2 – arrangement 1

Step 3 – conduit entrances – 1/2" at 'a'; none at 'b'; 1" at 'c' and 'd'; none at 'e' and 'f.'

Step 4 – symbols are substituted and written in alphabetical order starting with location 'a.' For this example: A0CC00.

Complete catalog number is made up of three parts:

Part 1 – box number;

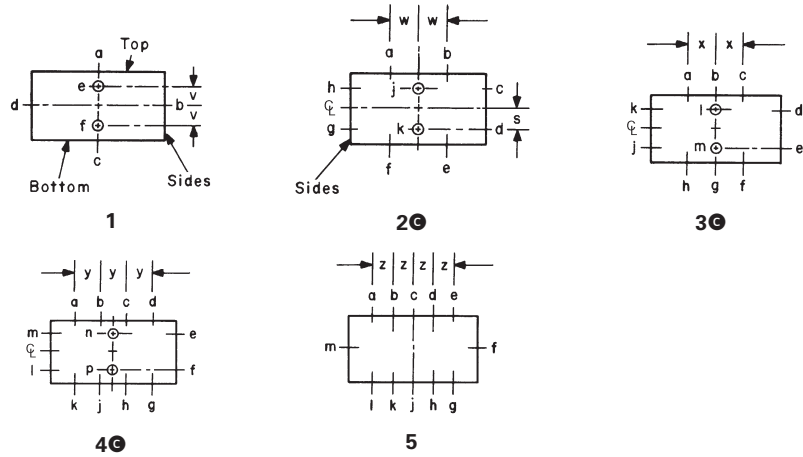
Part 2 – arrangement number;

Part 3 – symbols for conduit entrances.

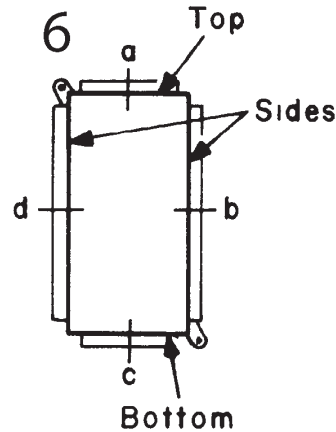
For this example: FS062-1-A0CC00.

Table 1 – Drilling and tapping arrangements: ⑥

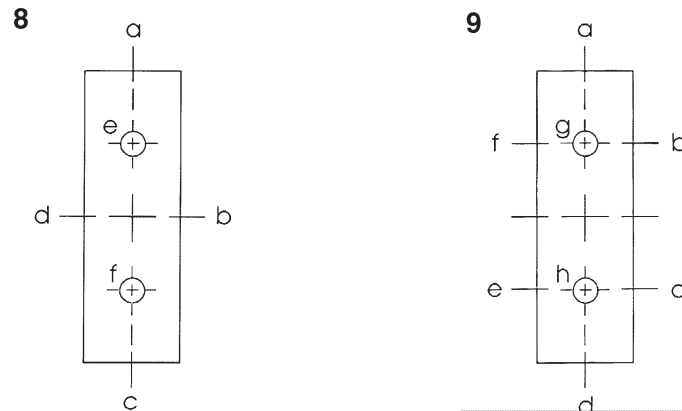
Two-, three-, four- and five-gang



Single-gang only (FS or FD019)



Two-gang tandem (FS or FD097)



⑥ Drilling and tapping arrangements other than those in Table 1 are available. Consult Eaton's Crouse-Hinds Division.

⑦ If only one conduit entry is specified or permitted (see Table 2) on a side wall, that conduit entry will be centered on the wall.

Condulet FS and FD

cast device boxes

Blank bodies for drilling and tapping
Single-gang, multi-gang, tandem

Table 2 – Maximum number, size and spacing of conduit openings:

Cat. #	Maximum conduit opening size													
	Top and bottom					Sides		Back	Spacings					
	1	2	3	4	5	1	2	2	s	v	w	x	y	z
FS019	1					1								
FD019	1 1/2					1 1/2								
FS029	1	1	1	3/4		1					1/8	1/8	1 5/16	
FD029	1 1/2	1 1/2	1	3/4		1 1/2					1/8	1/8	1 5/16	
FS039	1	1	1	1	1	1					3/4	3/4	2 1/2	1 1/8
FD039	1 1/2	1 1/2	1 1/2	1 1/2	1	1 1/2					3/4	3/4	2 1/2	1 1/8
FD04	1 1/2	1 1/2	1 1/2	1 1/2		1 1/2	1	1		1 3/16	1/8	3/4	3/4	
FD05	1 1/2	1 1/2	1 1/2	1 1/2	1 1/2	1 1/2	1	1		1 3/16	3/4	3/4	3 3/4	3 3/4
FS062	1	1	3/4			1	1	1		1 1/4	2 9/32	1 5/8		
FD062	1 1/2	1 1/4	3/4			1 1/2	1	1 1/4	1	1	1	1 3/8		
FS063	1	1	1	3/4		1	1	1		1 1/4	1 13/16	1 13/16	1 5/8	
FD063	1 1/2	1 1/4	1	3/4		1 1/2	1	1 1/4	1	1	1 13/16	2	1 1/16	
FS094	1	1	1	1	3/4	1	1	1		1 1/4	1 13/16	1 13/16	1 13/16	1 5/8
FD094	1 1/2	1 1/2	1 1/2	1	3/4	1 1/2	1	1		1 1/8	1 1/2	2 5/8	1 13/16	1 5/8
FS097	1	1 1/2				1	1	1 1/2		1 5/16	3/4			
FD097	1 1/2	1 1/2				1 1/2	1 1/2	1 1/2		1 5/16	3/4			

Table 3 – Distance from mounting surface to center line of conduit opening ('u'):

Cat. #	u
FS019	2 9/32
FD019	1 3/8
FS029	2 9/32
FD029	1 3/8
FS039	3 1/32
FD039	1 3/8
FD04	1 9/16
FD05	1 9/16
FS062	1 5/32
FD062	1 5/8
FS063	1 5/32
FD063	1 5/8
FS094	1 5/32
FD094	1 9/16
FS097	1 5/32
FD097	1 9/16

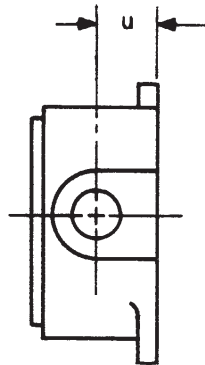


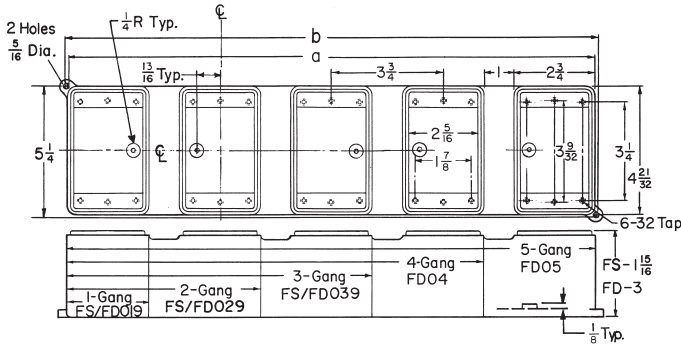
Table 4 – Symbols for openings:

Hub size	Symbol
1/2"	A
3/4"	B
1"	C
1 1/4"	E
1 1/2"	F
None	0

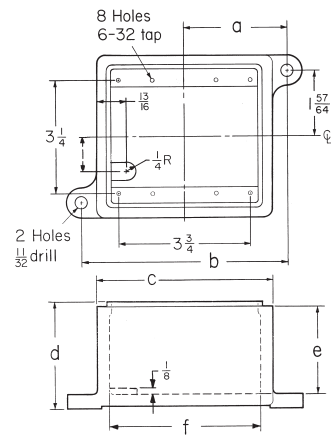
Condulet FS and FD cast device boxes

Blank bodies for drilling and tapping
Single-gang, multi-gang, tandem

Dimensions (in inches):

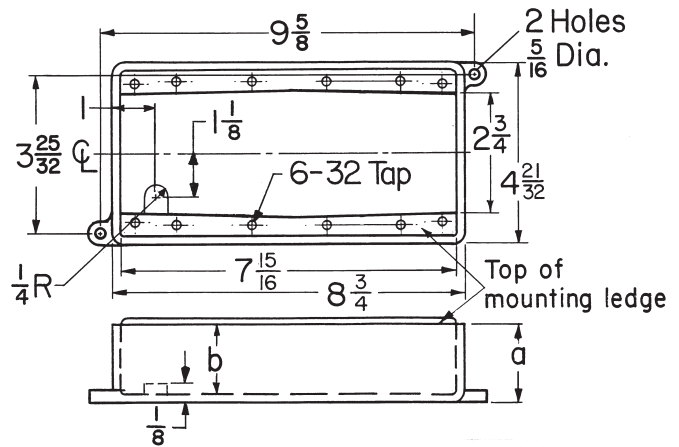


Cat. #	a	b
FS/FD019	3/4	3/4
FS/FD029	7	7
FS/FD039	10 3/4	10 3/4
FD04	14 7/8	15
FD05	18 7/8	18 3/4



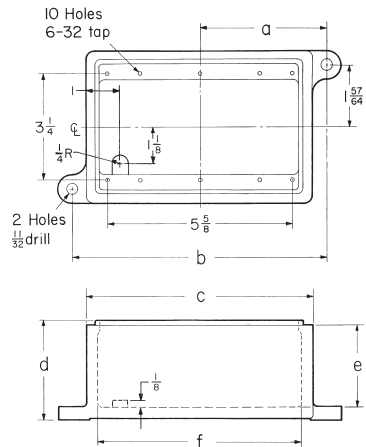
FS/FD062

Cat. #	a	b	c	d	e	f
FS062	2 7/8	5 3/4	5	2 7/16	1 1/2	4 7/8
FD062	2 15/16	5 7/8	5 1/16	3 1/16	2 1/2	4 5/16



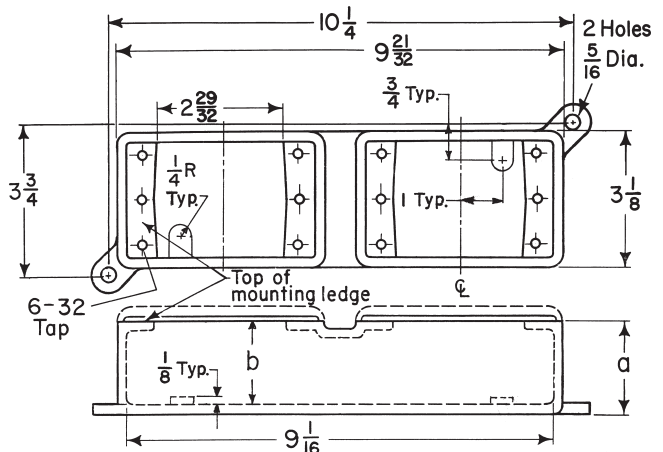
FS/FD094

Cat. #	a	b
FS094	2 7/16	1 45/64
FD094	3	2 1/2



FS/FD063

Cat. #	a	b	c	d	e	f
FS063	3 13/16	7 7/8	6 7/8	2 7/16	1 1/2	6 1/4
FD063	3 7/8	7 1/4	7 1/16	3 1/32	2 1/2	6 7/16



FS/FD097

Cat. #	a	b
FS097	2 7/32	1 1/2
FD097	2 7/32	2 7/16