



## CLEVIS HANGER, ELECTROGALVANIZED, 4" PIPE, 4.5" OD, 5/8" ROD

### CATALOG NUMBER

**4010400EG**



### CERTIFICATIONS



### FEATURES

Recommended for the suspension of stationary non-insulated pipe lines

Flared edges help prevent sharp surfaces from coming into contact with the pipe (1/2" to 2" pipe sizes)

Clevis bottom pivots to allow pipe to be fed from either direction

### PRODUCT ATTRIBUTES

Material: Steel

Finish: Electrogalvanized;Pregalvanized

Pipe Size: 4"

Outer Diameter: 4 1/2"

Rod Size: 5/8"

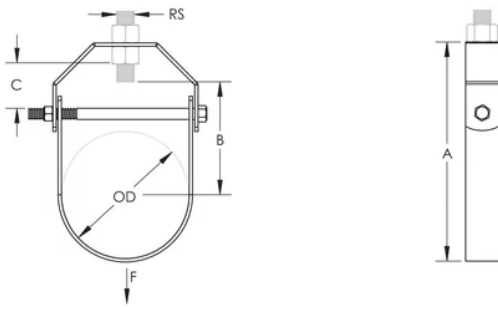
A: 7 7/16"

B: 4 3/8"

C: 1 3/8"

Static Load: 1,130 lb

## DIAGRAMS



## WARNING

nVent products shall be installed and used only as indicated in nVent's product instruction sheets and training materials. Instruction sheets are available at [www.nvent.com](http://www.nvent.com) and from your nVent customer service representative. Improper installation, misuse, misapplication or other failure to completely follow nVent's instructions and warnings may cause product malfunction, property damage, serious bodily injury and death and/or void your warranty.

### North America

+1.800.753.9221

Option 1 – Customer Care

Option 2 – Technical Support

### Europe

Netherlands:

+31 800-0200135

France:

+33 800 901 793

### Europe

Germany:

800 1890272

Other Countries:

+31 13 5835404

### APAC

Shanghai:

+ 86 21 2412 1618/19

Sydney:

+61 2 9751 8500



Our powerful portfolio of brands:  
nVent.com **CADDY ERICO HOFFMAN RAYCHEM SCHROFF**  
**TRACER**

© 2023 nVent. All nVent marks and logos are owned or licensed by nVent Services GmbH or its affiliates. All other trademarks are the property of their respective owners.

nVent reserves the right to change specifications without notice.