



## 402 CLEVIS HANGER FOR COPPER TUBE, LIGHT DUTY, 2" PIPE, 2.125" OD, 3/8" ROD

### CATALOG NUMBER

**4020200CP**



### FEATURES

Recommended for the suspension of stationary non-insulated copper tube lines

Conforms with U.S. Federal Specification WW-H-171 (Type 12), Manufacturers Standardization Society (MSS) SP-58 (Type 1)

### PRODUCT ATTRIBUTES

Material: Steel

Finish: Copper Electroplated

Pipe Size: 2"

Outer Diameter: 2 1/8"

Rod Size: 3/8"

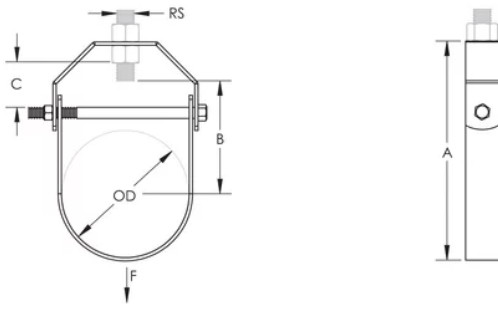
A: 4 1/16"

B: 2 7/16"

C: 1"

Static Load: 215 lb

## DIAGRAMS



## WARNING

nVent products shall be installed and used only as indicated in nVent's product instruction sheets and training materials. Instruction sheets are available at [www.nvent.com](http://www.nvent.com) and from your nVent customer service representative. Improper installation, misuse, misapplication or other failure to completely follow nVent's instructions and warnings may cause product malfunction, property damage, serious bodily injury and death and/or void your warranty.

### North America

+1.800.753.9221

Option 1 – Customer Care

Option 2 – Technical Support

### Europe

Netherlands:

+31 800-0200135

France:

+33 800 901 793

### Europe

Germany:

800 1890272

Other Countries:

+31 13 5835404

### APAC

Shanghai:

+ 86 21 2412 1618/19

Sydney:

+61 2 9751 8500



Our powerful portfolio of brands:  
**nVent.com CADDY ERICO HOFFMAN RAYCHEM SCHROFF**  
**TRACER**