

AIR TERMINAL BASE, PIPE MOUNT, IMPERIAL THREAD, COPPER, 1/2 UNC THREAD

CATALOG NUMBER

LPC37112



CERTIFICATIONS



FEATURES

Mounts air terminal to horizontal pipe or vertical pipe using Right Angle Extension Adaptor

Provided with cable clamp to support cable next to pipe

PRODUCT ATTRIBUTES

Material: Copper

Thread Size: 1/2" UNC

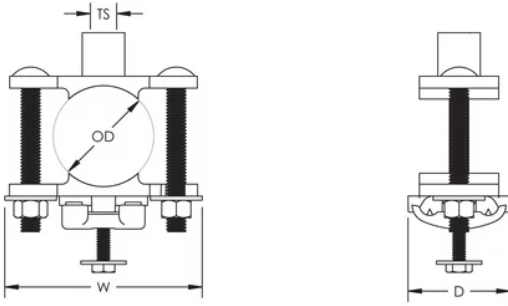
Outer Diameter: 1" – 2 1/2"

Depth: 1.530"

Width: 3.630"

Unit Weight: 1.425 lb

DIAGRAMS



WARNING

nVent products shall be installed and used only as indicated in nVent's product instruction sheets and training materials. Instruction sheets are available at www.nvent.com and from your nVent customer service representative. Improper installation, misuse, misapplication or other failure to completely follow nVent's instructions and warnings may cause product malfunction, property damage, serious bodily injury and death and/or void your warranty.

⚠ WARNING: This product can expose you to chemicals including lead, which is known to the State of California to cause cancer and birth defects or other reproductive harm. For more information go to www.P65Warnings.ca.gov.

North America

+1.800.753.9221

Option 1 – Customer Care

Option 2 – Technical Support

Europe

Netherlands:

+31 800-0200135

France:

+33 800 901 793

Europe

Germany:

800 1890272

Other Countries:

+31 13 5835404

APAC

Shanghai:

+ 86 21 2412 1618/19

Sydney:

+61 2 9751 8500



Our powerful portfolio of brands:
nVent.com CADDY ERICO HOFFMAN RAYCHEM SCHROFF
TRACER