

**TWO-DOOR FLOOR-MOUNT WITH 3-POINT LATCHES, TYPE 12**



**INDUSTRY STANDARDS**

UL 508A Listed; Type 12; File No. E61997  
cUL Listed per CSA C22.2 No 94; Type 12; File No. E61997

NEMA/EEMAC Type 12  
IEC 60529, IP55

**APPLICATION**

Designed to house systems incorporating large components or complex mounting configurations. Three-point latching and sealing provide industry-leading protection from dust, dirt, oil and water.

**SPECIFICATIONS**

- Manufactured from 12 or 14 gauge Type 304 stainless steel
- Seams continuously welded and ground smooth; no holes or knockouts
- Strong, rigid construction with body stiffeners
- Gasketed overlapping doors eliminate need for centerpost
- Plated steel 3-point latching mechanism and key-locking handle
- Heavy-gauge continuous hinges support each door
- Data pocket, provided on door with 3-point latches, is high-impact thermoplastic
- 12-in. (305-mm) floor stands are bolted to enclosure
- Heavy-duty lifting eyes are Type 316 stainless steel
- Panel supports
- Collar studs for mounting optional panel
- Bonding provision on doors; grounding studs on body
- Accessory mounting channel in top of enclosure

**FINISH**

Enclosures are unpainted. Front, sides, top and back have smooth #4 brushed finished. Optional mild steel panels are painted white. Optional conductive panels are available.

**ACCESSORIES**

- Drip Shield Kit for Type 12 Enclosures
- Enclosure Stabilizers
- Panel Support Kit
- Panels for Type 3R, 4, 4X, 12 and 13 Enclosures

**MODIFICATION AND CUSTOMIZATION**

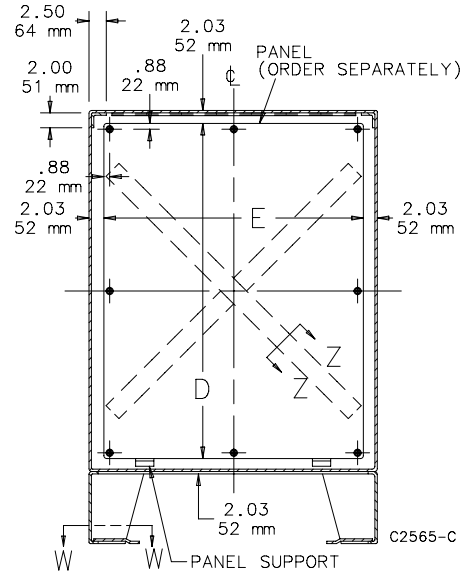
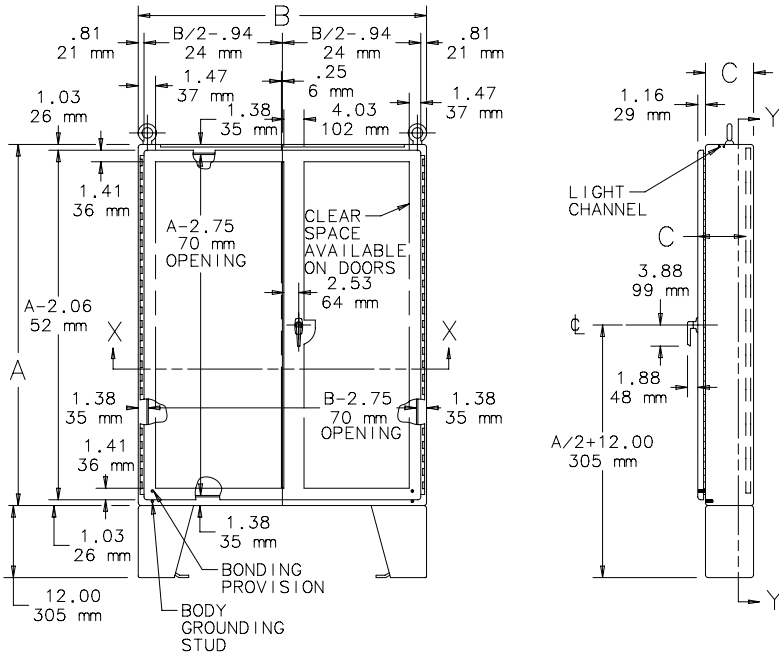
Hoffman excels at modifying and customizing products to your specifications. Contact your local Hoffman sales office or distributor for complete information.

**BULLETIN: A12S**

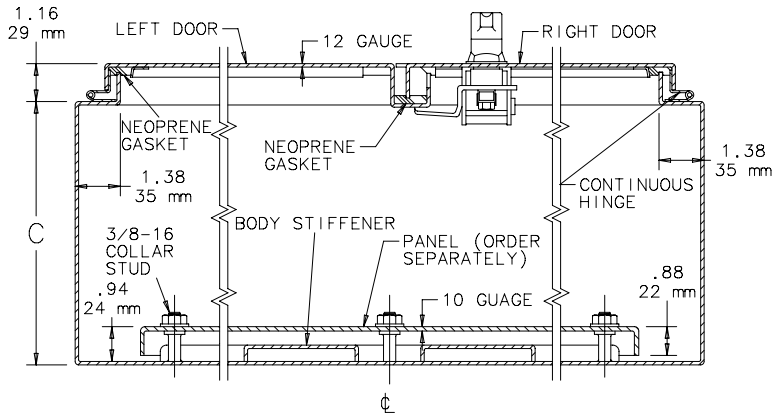
**Standard Product**

| Catalog Number | AxBxC in.             | AxBxC mm          | Gauge | Panel  | Galvanized Panel | Panel Gauge | Panel Size D x E (in.) | Panel Size D x E (mm) | Stiffener (Body) |
|----------------|-----------------------|-------------------|-------|--------|------------------|-------------|------------------------|-----------------------|------------------|
| A544208SSLP    | 54.00 x 42.00 x 8.00  | 1372 x 1067 x 203 | 14    | A54P42 | A54P42G          | 11          | 50.00 x 38.00          | 1270 x 965            | 3                |
| A604808SSLP    | 60.06 x 48.06 x 8.06  | 1526 x 1221 x 205 | 12    | A60P48 | A60P48G          | 11          | 56.00 x 44.00          | 1422 x 1118           | 1 (X-form)       |
| A604810SSLP    | 60.06 x 48.06 x 10.06 | 1526 x 1221 x 256 | 12    | A60P48 | A60P48G          | 11          | 56.00 x 44.00          | 1422 x 1118           | 1 (X-form)       |
| A606010SSLP    | 60.06 x 60.06 x 10.06 | 1526 x 1526 x 256 | 12    | A60P60 | A60P60G          | 11          | 56.00 x 56.00          | 1422 x 1422           | 1 (X-form)       |
| A726010USSLP   | 72.06 x 60.06 x 10.06 | 1830 x 1526 x 256 | 12    | A72P60 | A72P60G          | 11          | 68.00 x 56.00          | 1727 x 1422           | 1 (X-form)       |
| A727210USSLP   | 72.06 x 72.06 x 10.06 | 1830 x 1830 x 256 | 12    | A72P72 | A72P72G          | 11          | 68.00 x 68.00          | 1727 x 1727           | 1 (X-form)       |
| A604812SSLP    | 60.06 x 48.06 x 12.06 | 1526 x 1221 x 306 | 12    | A60P48 | A60P48G          | 11          | 56.00 x 44.00          | 1422 x 1118           | 1 (X-form)       |
| A606012SSLP    | 60.06 x 60.06 x 12.06 | 1526 x 1526 x 306 | 12    | A60P60 | A60P60G          | 11          | 56.00 x 56.00          | 1422 x 1422           | 1 (X-form)       |
| A726012USSLP   | 72.06 x 60.06 x 12.06 | 1830 x 1526 x 306 | 12    | A72P60 | A72P60G          | 11          | 68.00 x 56.00          | 1727 x 1422           | 1 (X-form)       |
| A727212USSLP   | 72.06 x 72.06 x 12.06 | 1830 x 1830 x 306 | 12    | A72P72 | A72P72G          | 11          | 68.00 x 68.00          | 1727 x 1727           | 1 (X-form)       |
| A604816SSLP    | 60.06 x 48.06 x 16.06 | 1526 x 1221 x 408 | 12    | A60P48 | A60P48G          | 11          | 56.00 x 44.00          | 1422 x 1118           | 1 (X-form)       |
| A606016SSLP    | 60.06 x 60.06 x 16.06 | 1526 x 1526 x 408 | 12    | A60P60 | A60P60G          | 11          | 56.00 x 56.00          | 1422 x 1422           | 1 (X-form)       |
| A726016USSLP   | 72.06 x 60.06 x 16.06 | 1830 x 1526 x 408 | 12    | A72P60 | A72P60G          | 11          | 68.00 x 56.00          | 1727 x 1422           | 1 (X-form)       |
| A727216USSLP   | 72.06 x 72.06 x 16.06 | 1830 x 1830 x 408 | 12    | A72P72 | A72P72G          | 11          | 68.00 x 68.00          | 1727 x 1727           | 1 (X-form)       |
| A604820SSLP    | 60.06 x 48.06 x 20.06 | 1526 x 1221 x 510 | 12    | A60P48 | A60P48G          | 11          | 56.00 x 44.00          | 1422 x 1118           | 1 (X-form)       |
| A726020USSLP   | 72.06 x 60.06 x 20.06 | 1830 x 1526 x 510 | 12    | A72P60 | A72P60G          | 11          | 68.00 x 56.00          | 1727 x 1422           | 1 (X-form)       |
| A727220USSLP   | 72.06 x 72.06 x 20.06 | 1830 x 1830 x 510 | 12    | A72P72 | A72P72G          | 11          | 68.00 x 68.00          | 1727 x 1727           | 1 (X-form)       |
| A604824SSLP    | 60.06 x 48.06 x 24.06 | 1526 x 1221 x 611 | 12    | A60P48 | A60P48G          | 11          | 56.00 x 44.00          | 1422 x 1118           | 1 (X-form)       |
| A606024SSLP    | 60.06 x 60.06 x 24.06 | 1526 x 1526 x 611 | 12    | A60P60 | A60P60G          | 11          | 56.00 x 56.00          | 1422 x 1422           | 1 (X-form)       |
| A726024USSLP   | 72.06 x 60.06 x 24.06 | 1830 x 1526 x 611 | 12    | A72P60 | A72P60G          | 11          | 68.00 x 56.00          | 1727 x 1422           | 1 (X-form)       |
| A727224USSLP   | 72.06 x 72.06 x 24.06 | 1830 x 1830 x 611 | 12    | A72P72 | A72P72G          | 11          | 68.00 x 68.00          | 1727 x 1727           | 1 (X-form)       |

Purchase panels separately.



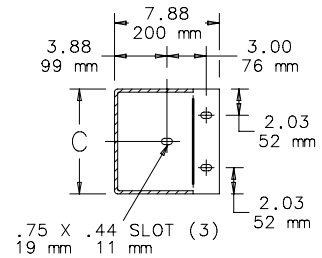
SECTION Y-Y



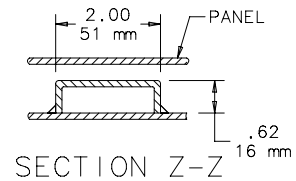
SECTION X-X

(LIFTING ANGLES AND LIGHT CHANNEL NOT SHOWN)

NOTE:  
 Right door has removable 12 x 12.00 (305mm x 305mm) data pocket



SECTION W-W



SECTION Z-Z