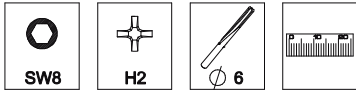
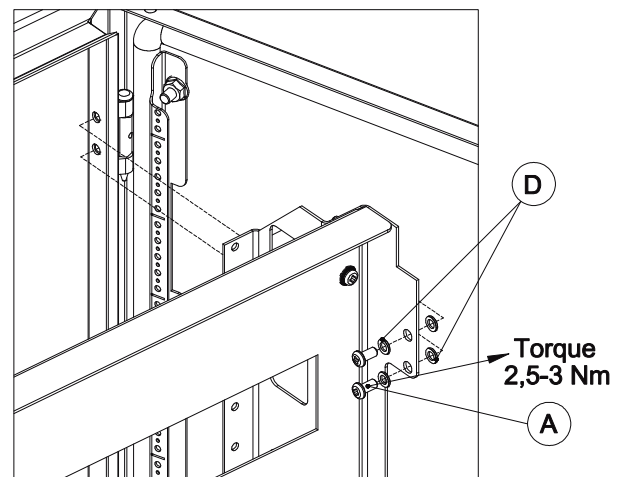
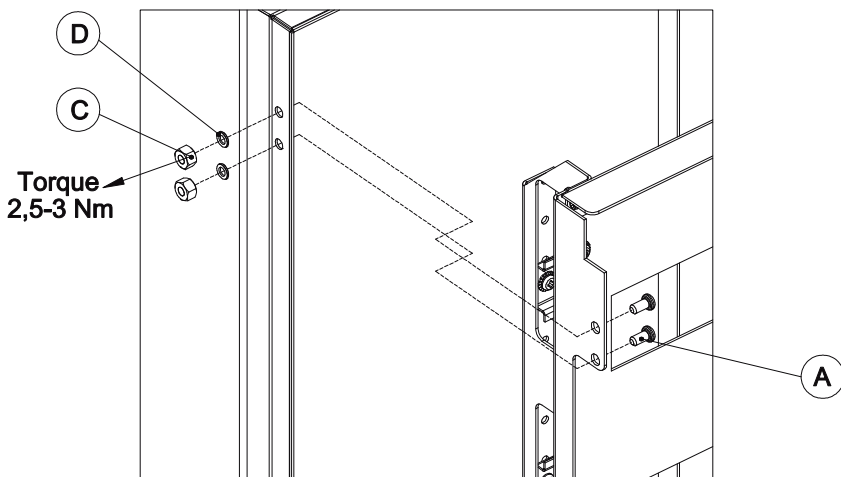
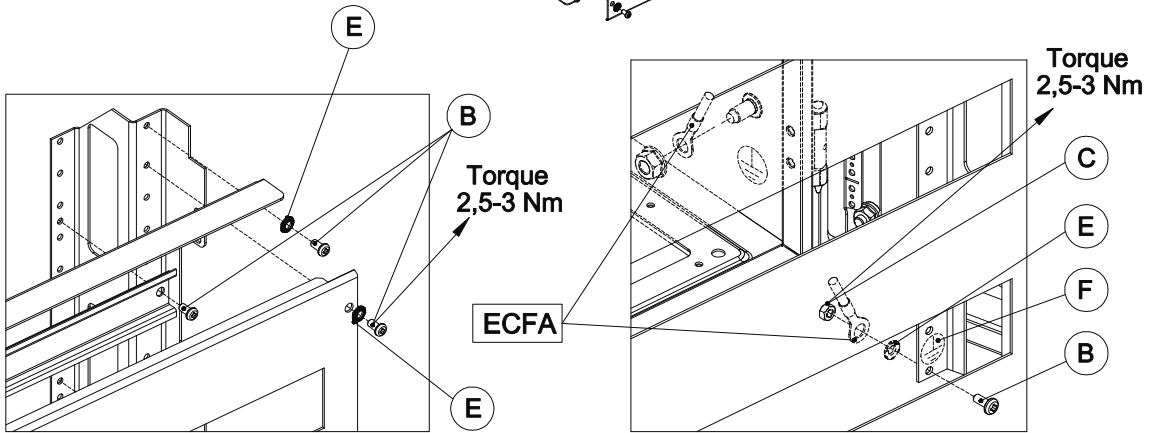
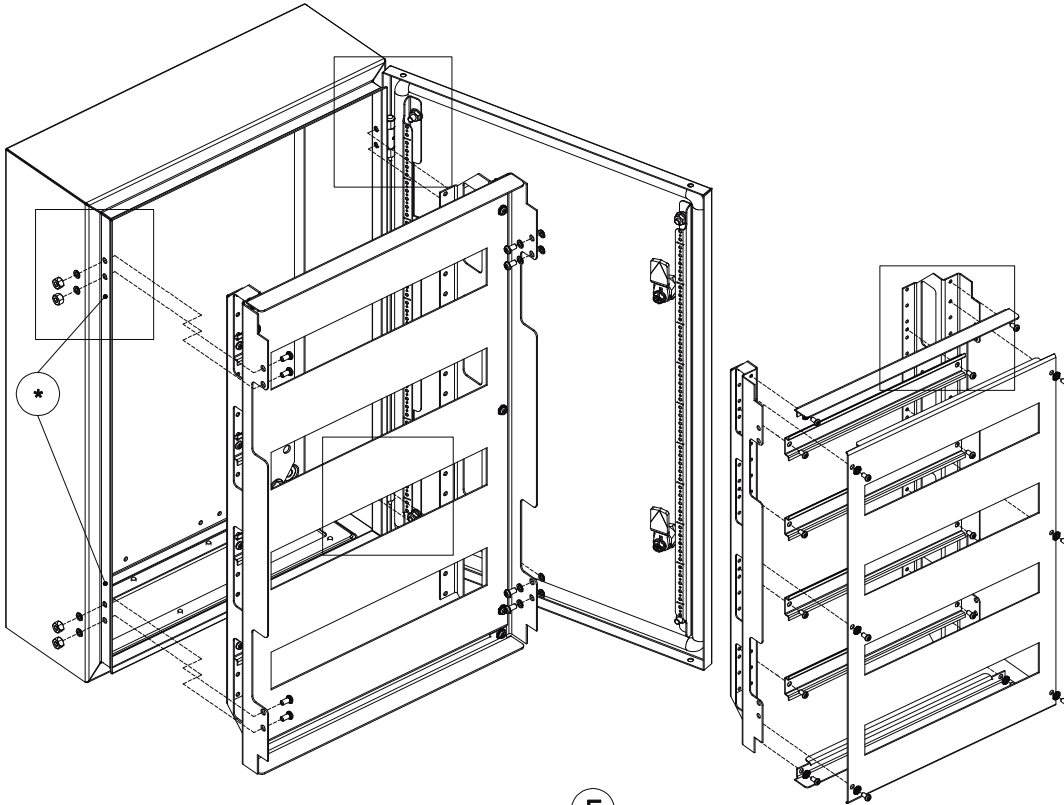


# AC



Ref.	Pic.	H (mm)	300	600
			500	1000
A		M5x8	8	8
B		M5x10	17	29
C		M5	5	5
D		M5 Nylon	12	12
E		M5	11	11
F			1	1



\* - Machining is required for stainless steel enclosures only.