

**POLYPRO WIFI, TYPE 4X**



**INDUSTRY STANDARDS**

*Mounting brackets required to meet UL/CSA external mounting requirements.*

UL 508A Listed; Type 4, 4X, 12, 13; File No. E61997  
 cUL Listed per CSA C22.2 No 94; Type 4, 4X, 12, 13; File No. E61997  
 Enclosure flammability evaluated per UL 508A  
 Window flammability evaluated per UL 508A

NEMA/EEMAC Type 4, 4X, 12, 13  
 IEC 60529, IP66

**APPLICATION**

POLYPRO WiFi enclosures provide protection for wireless equipment in both indoor and outdoor locations. The polyester construction and wood panel allow WiFi and WLAN signals to pass through the enclosure unimpeded. POLYPRO performs exceptionally well in applications where harsh chemicals, weather extremes, a corrosive environment or flames demand toughness from a lightweight enclosure. Providing excellent ultraviolet protection and a tight environmental seal, these versatile, feature-rich enclosures are also recyclable.

**FEATURES**

- Non-glass-filled polyester material offers superior UV resistance; eliminates fiberbloom associated with fiberglass
- Provides excellent chemical resistance to a broad range of solvents, alkalis and acids
- Resists cracking and provides excellent impact resistance
- Lighter weight than fiberglass
- Recyclable
- Easy, dustless in-field modifications using standard tools
- Overlapping tongue-and-groove raised cover and gasket provide secure Type 4X seal
- Removable snap-hinge cover allows for easy access to cover and body for modifications
- Molded layout grid on inside of body and solid covers assists with component mounting
- Molded-in embosses for rear panel mounting
- Internal rail system and adjustable panel blocks allow for panel height adjustment and installation of multiple panels

**SPECIFICATIONS**

- Scratch-resistant polycarbonate windows
- Standard models include body and cover, two mounting feet, two latch assemblies with optional cover screws and hardware, and 3/4-in. plywood panel

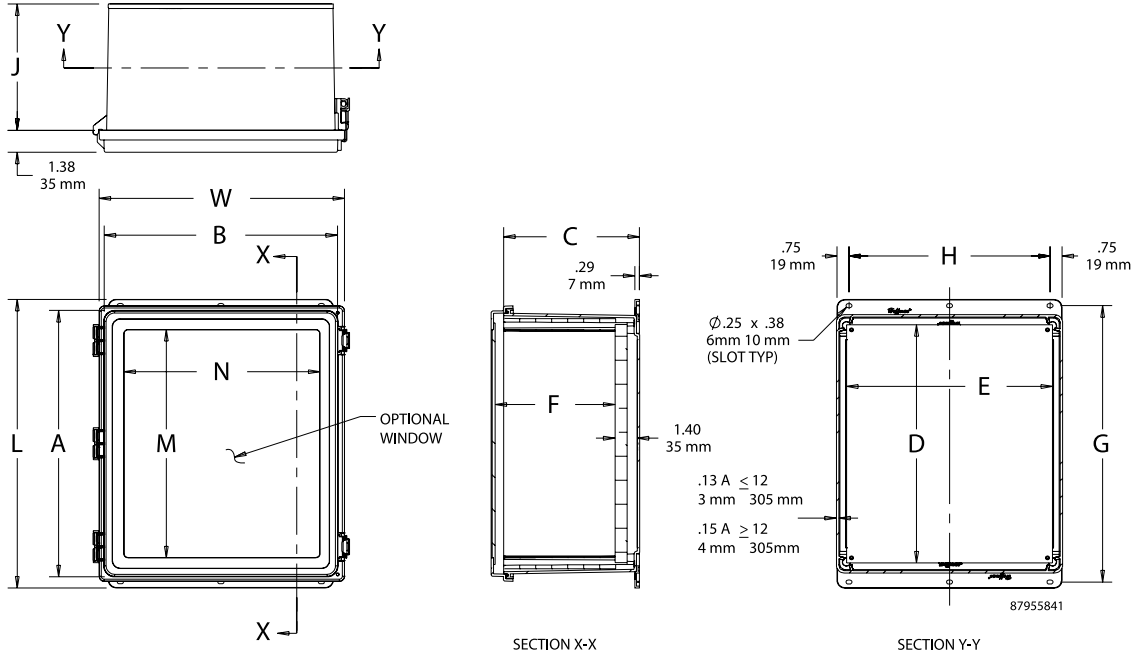
**FINISH**

Polyester material is RAL 7035 light-gray textured finish inside and out

**BULLETIN: DWS12**

Standard Product

Catalog Number	AxBxC in./mm	Door Type	Panel Size D x E in./mm	F in./mm	G in./mm	H in./mm	J in./mm	L in./mm	M in./mm	N in./mm	W in./mm
D664WF	6.12 x 6.12 x 4.38	Solid	4.88 x 4.88	4.32	7.38	2.56	3.91	8.15	—	—	5.23
	155 x 155 x 111		124 x 124	110	187	65	99	207	—	—	133
D664WFW	6.12 x 6.12 x 4.38	Window	4.88 x 4.88	4.32	7.38	2.56	3.91	8.15	4.25	2.25	5.23
	155 x 155 x 111		124 x 124	110	187	65	99	207	108	57	133
D16148WF	16.12 x 14.01 x 8.35	Solid	14.75 x 12.88	8.27	17.27	12.56	7.91	18.04	—	—	15.32
	409 x 356 x 212		375 x 327	210	439	319	201	458	—	—	389
D16148WFW	16.12 x 14.01 x 8.35	Window	14.75 x 12.88	8.27	17.27	12.56	7.91	18.04	14.25	12.25	15.32
	409 x 356 x 212		375 x 327	210	439	319	201	458	362	311	389



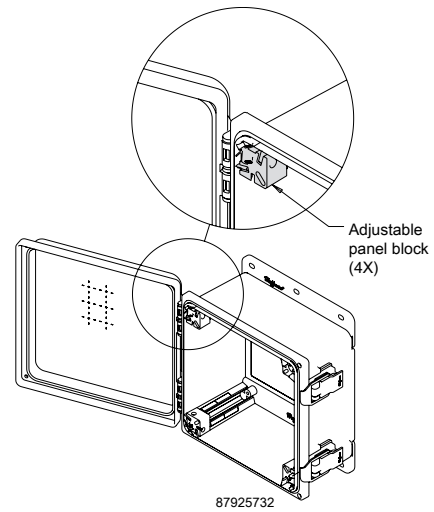
### ADJUSTABLE PANEL BLOCK KIT

Panel blocks slide inside POLYPRO's internal rail system for panel height adjustment within top 5 in. of enclosure. Allows for installation of multiple panels.

**BULLETIN: PCRY**

Catalog Number	Qty.
APNLBLK	4

Includes Allen wrench



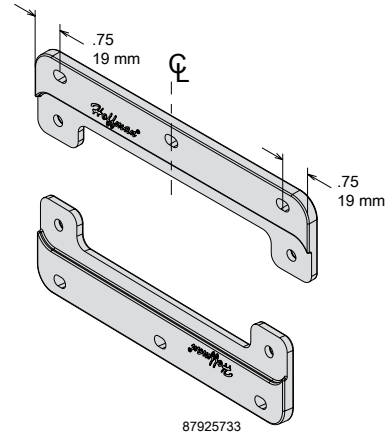
### POLYESTER MOUNTING BRACKET KITS



Replacement POLYPRO mounting brackets are sold in sets of two and include hardware for mounting to enclosure. *Included with standard POLYPRO models.*

**BULLETIN: PCRY**

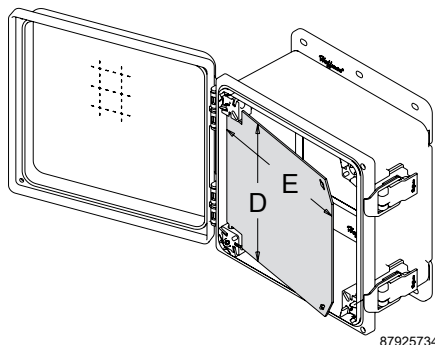
Catalog Number	Width (in.)	Qty.
APOLYFT4	4.00	2
APOLYFT6	6.00	2
APOLYFT8	8.00	2
APOLYFT10	10.00	2
APOLYFT12	12.00	2
APOLYFT14	14.00	2
APOLYFT16	16.00	2



### ALUMINUM SWING-OUT PANELS

Includes four POLYPRO Adjustable Panel Blocks. No enclosure modification is required for installation.

**BULLETIN: PCRY**



Catalog Number	D x E (in.)	D x E (mm)
A64PSWPNL	5.00 x 3.62	127 x 92
A66PSWPNL	5.00 x 5.62	127 x 143
A86PSWPNL	7.00 x 5.62	178 x 143
A88PSWPNL	7.00 x 7.62	178 x 194
A108PSWPNL	9.00 x 7.62	229 x 194
A1010PSWPNL	9.00 x 9.62	229 x 244
A1210PSWPNL	11.00 x 9.62	279 x 244
A1412PSWPNL	13.00 x 11.62	330 x 295
A1614PSWPNL	15.00 x 13.62	381 x 346
A1816PSWPNL	17.00 x 15.62	432 x 397

### STAINLESS STEEL LATCHES (PADLOCKABLE)



Stainless Steel Latches can be retrofitted on all POLYPRO models with no modification or drilling required. Hinge/latch constructed of corrosion-resistant polyester with a Type 316L stainless steel bail. *Included with standard POLYPRO models.*

**BULLETIN: PCRY**

Catalog Number	Qty.
AQLSS6	2

### HINGE RETAINERS



Hinge Retainers can be field-installed without modification to POLYPRO hinges for applications where cover removal is not desired. Two retainers per enclosure is recommended. Kit includes ten hinge retainers.

**BULLETIN: PCRY**

Catalog Number	Description	Pkg. Qty.
AHGCLP	POLYPRO Hinge Retainers	10