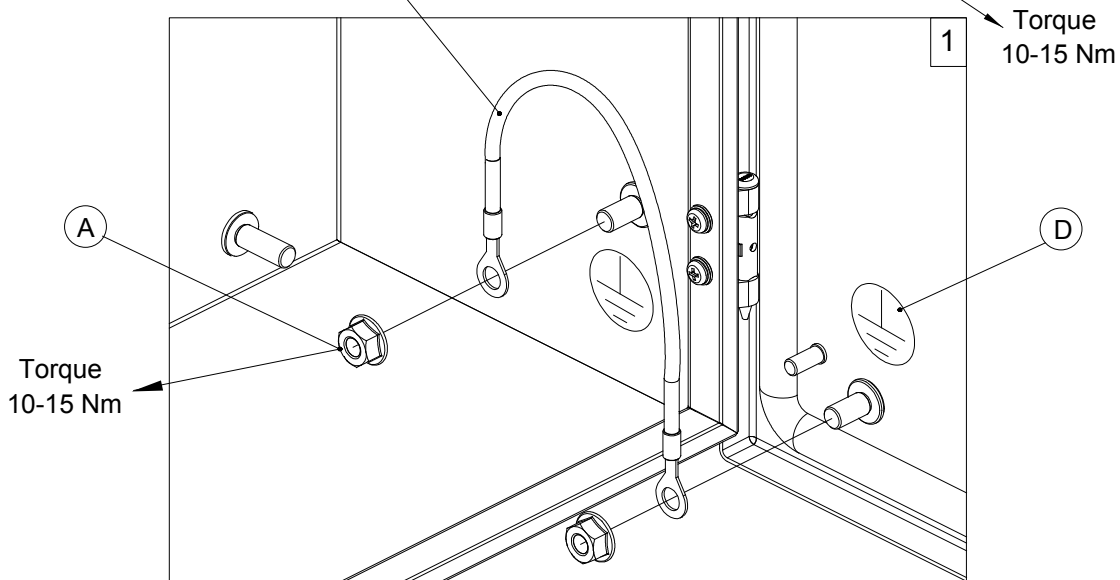
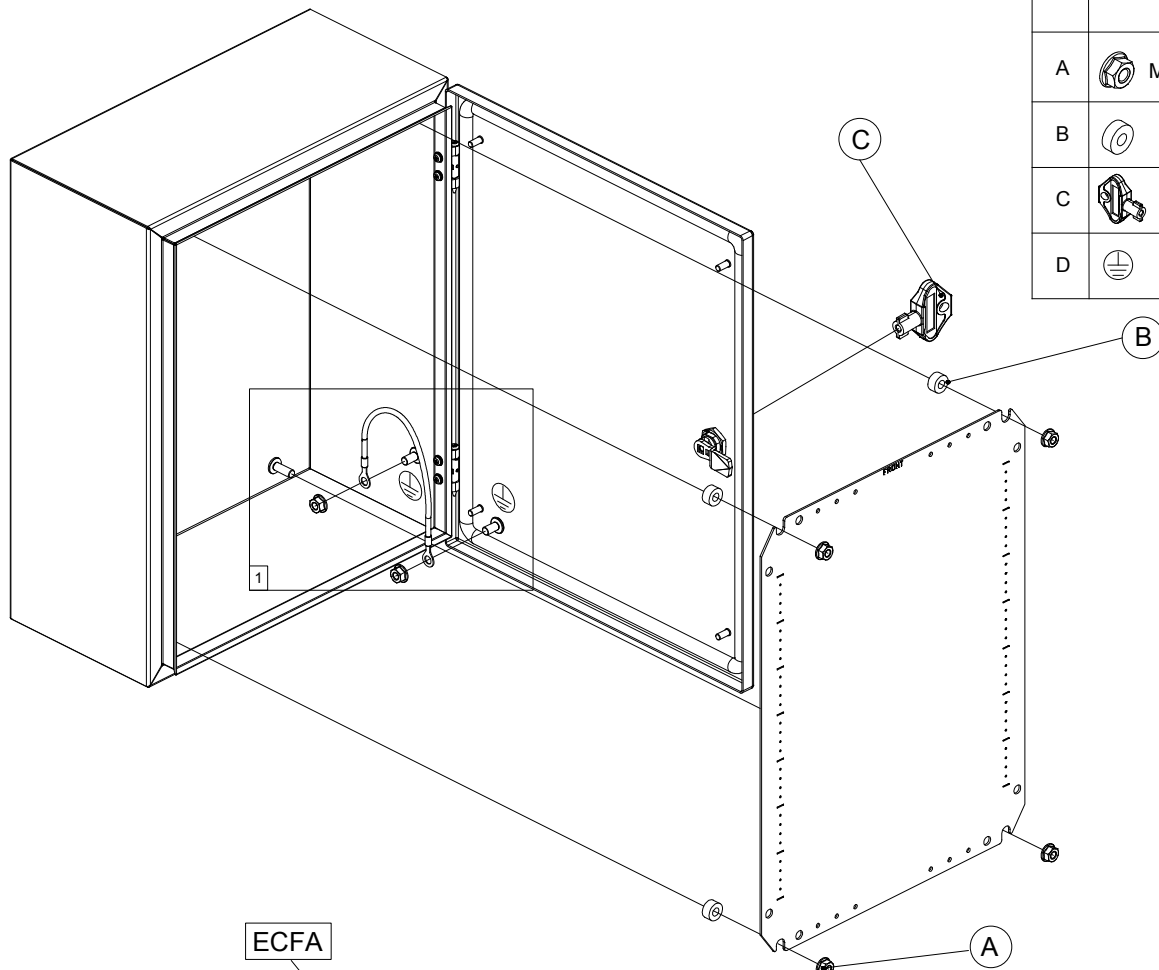




ASR

Ref.	Pic.	Qty.	
		H<=800	H>800
A	M8	6	8
B		4	6
C		1	1
D		2	2



WARNING: When mounting on or over a combustible surface, a floor plate of at least 1.43 mm galvanized or 1.6 mm uncoated steel extended at least 150 mm beyond the equipment on all sides must be installed.

WARNING: In order to maintain the environmental integrity of the enclosure, devices with the same environmental ratings shall be used to close openings in customized enclosure.