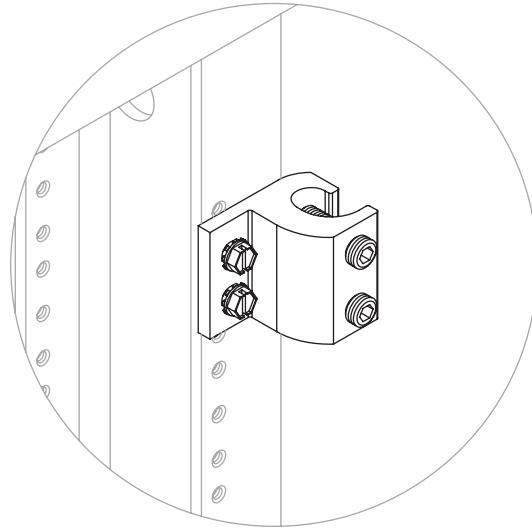


Lay-In Lug



Description

Used for attaching ground wires to racks or cabinets.

Instructions

1. Locate mounting surface.
2. Remove all paint from contact surface.
3. Apply a generous coating zinc-based antioxidant.
4. Mount lay-in lug to surface using appropriate hardware such as thread forming screws.
5. Apply zinc-based antioxidant to conductor location in lug.
6. Insert ground conductor in lay-in lug and secure using a 3/16" hex key (not included).