

SWING FRAMES

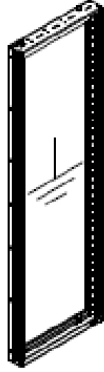
MOUNTING INSTRUCTIONS

7697-0318-01 REV. 4

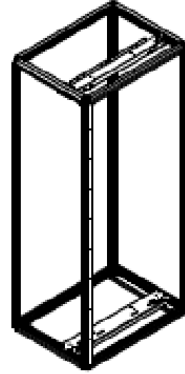


SWING FRAMES

2

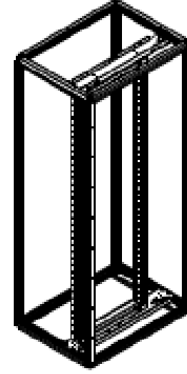


3/4



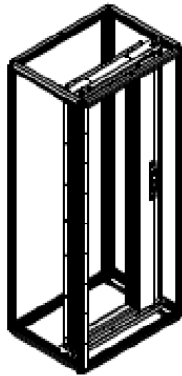
ESFB

5



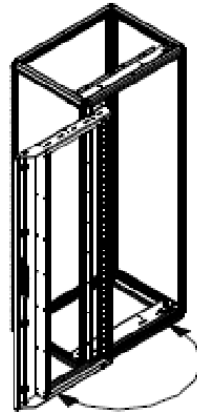
ESFC

6



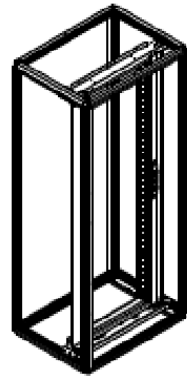
ESFS

7



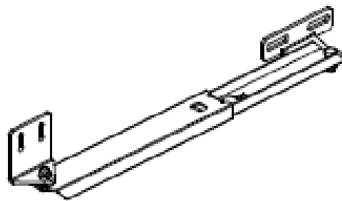
ESFS - ESFH180

8



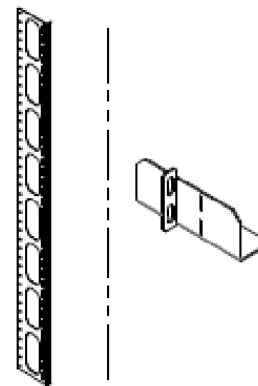
ESFM

9/11



ESFD

12

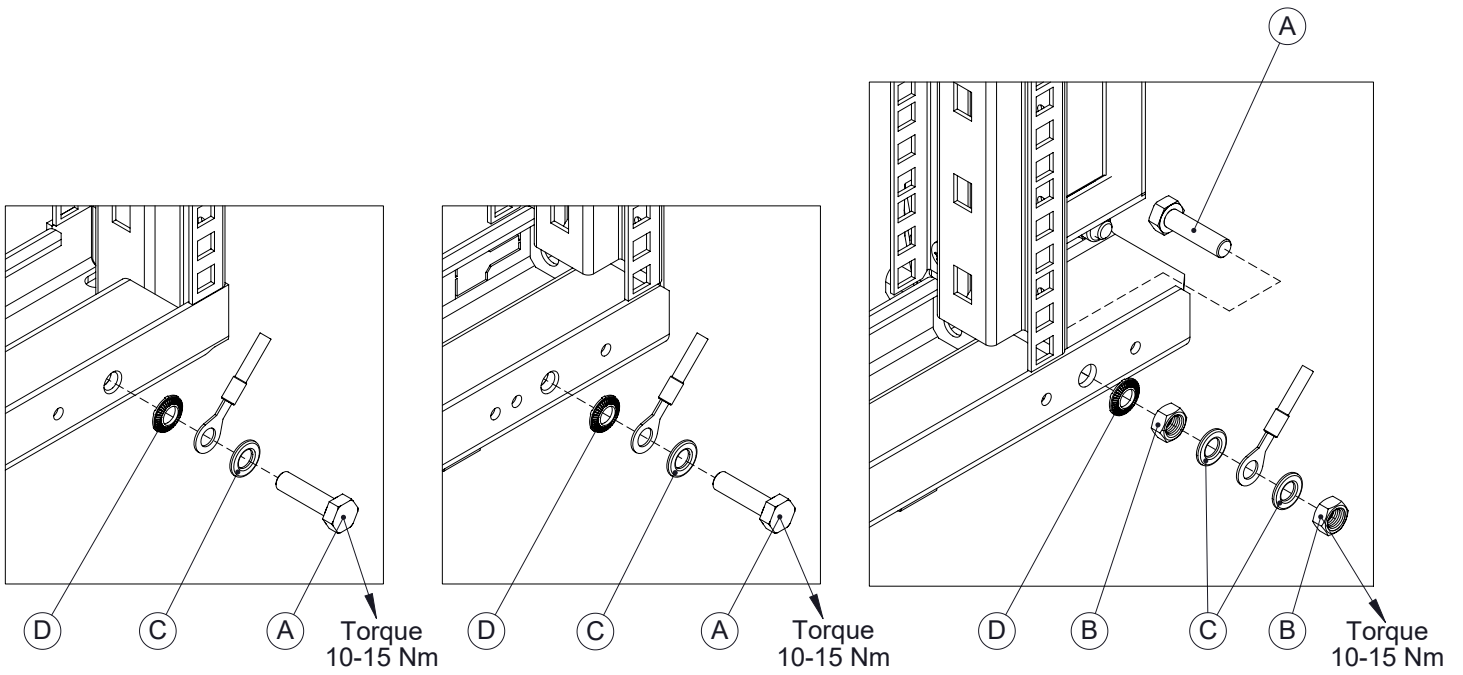
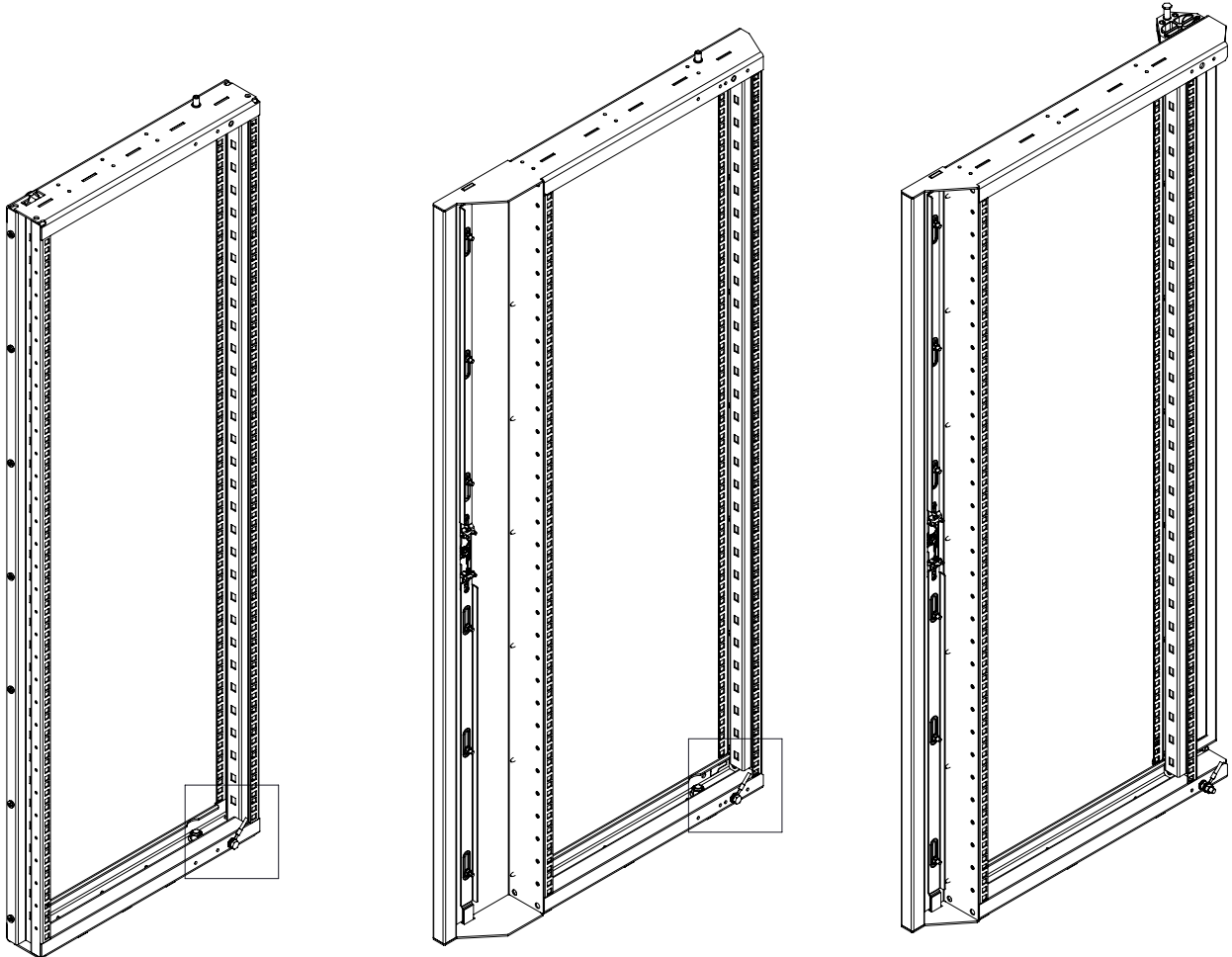


SFMP/SFSU



EARTHING ECP08

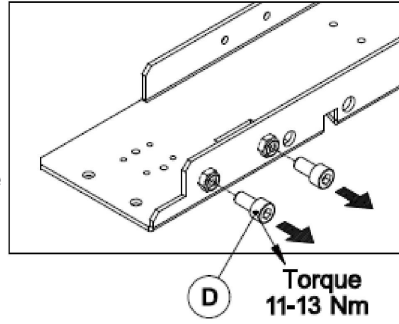
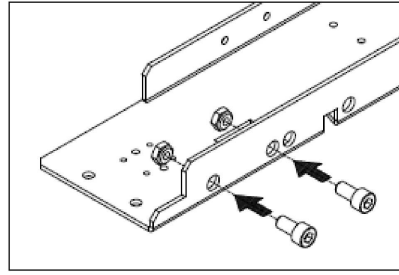
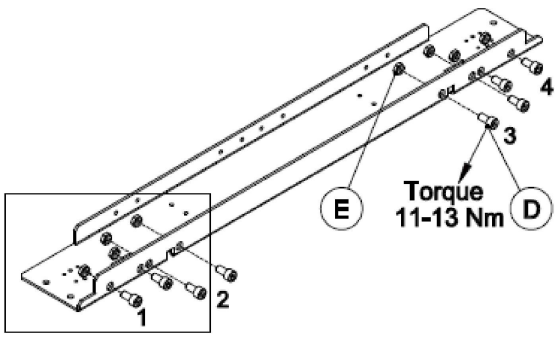
Ref.	Pic.	Qty.
A		10
B		20
C		20
D		20



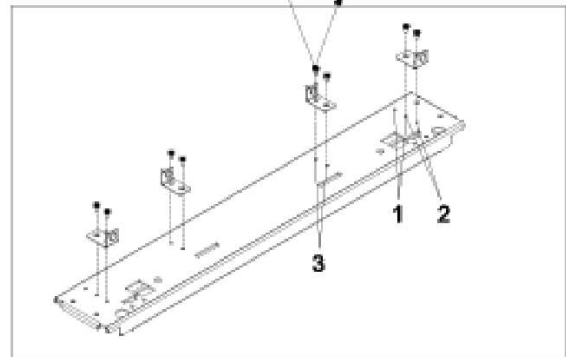
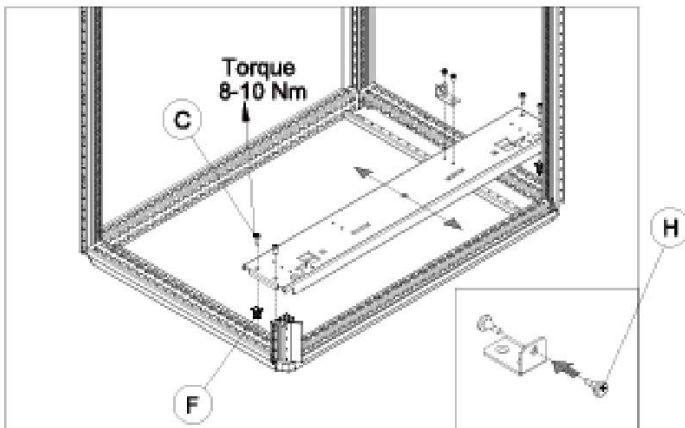
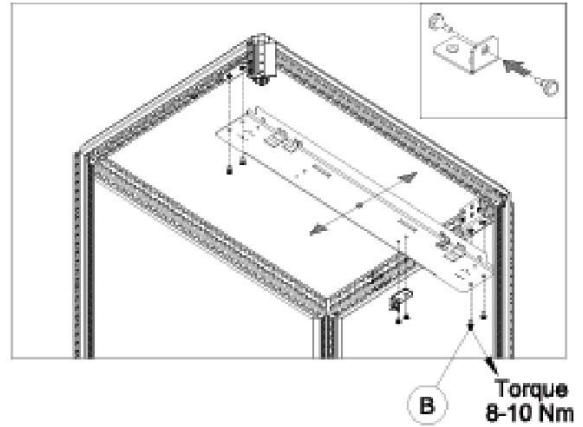
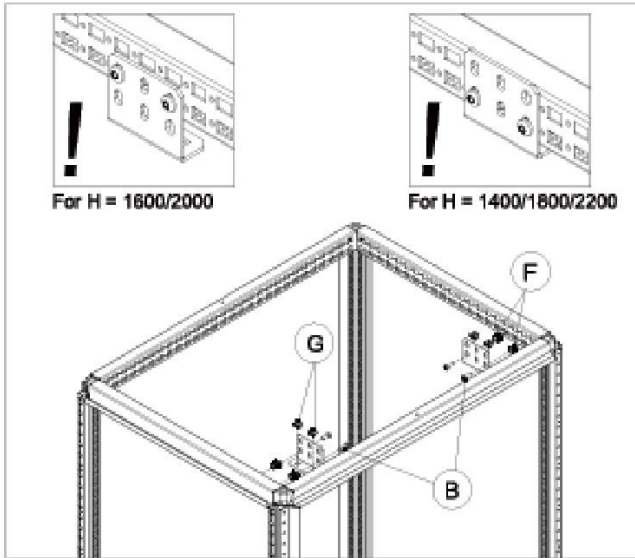


ESFB

Ref.	Pic.	Qty.
A		4
B		10
C		4
D		2
E		2
F		8
G		4
H		2

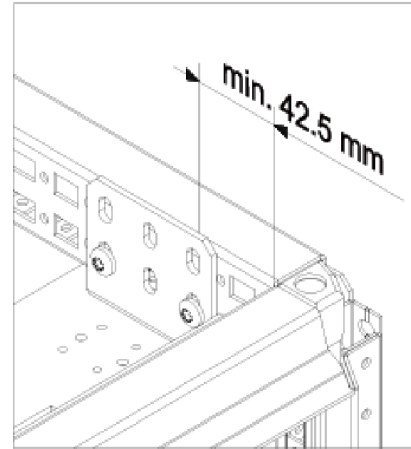
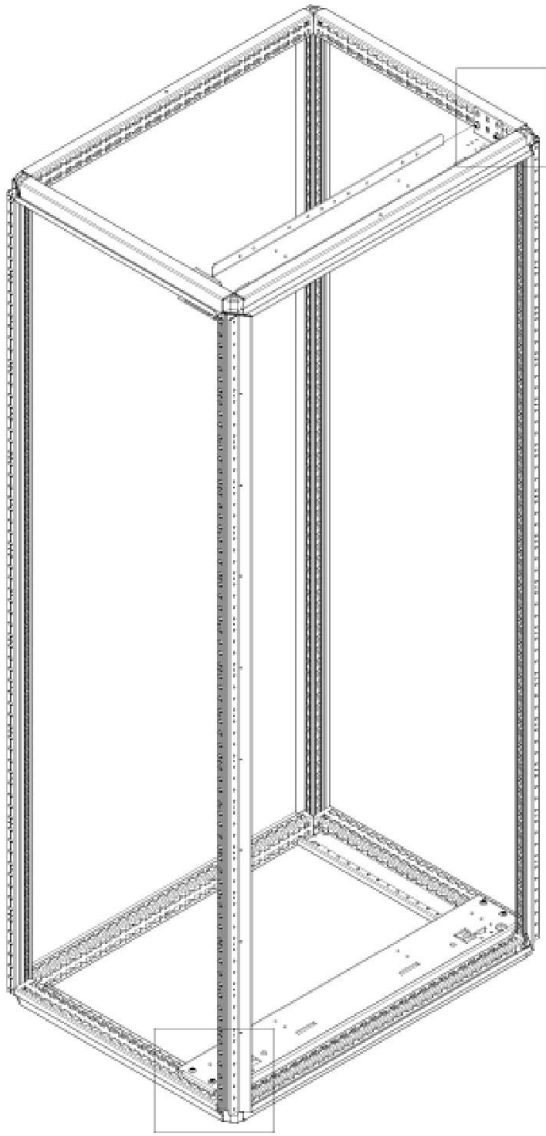


- 1 - ESFS with ESFH180, ESFM hinged of left-hand side
- 2 - ESFC, ESFS hinged on left-hand side
- 3 - ESFC, ESFS hinged on right-hand side
- 4 - ESFS with ESFH180, ESFM hinged on RIGHT-hand side

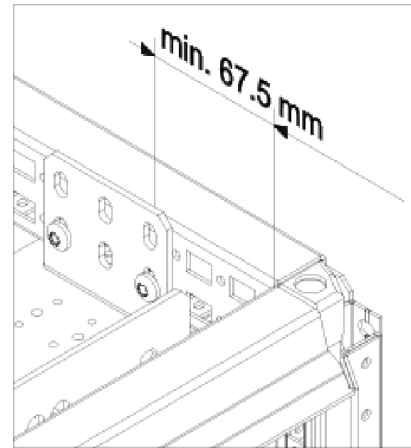


- 1 - ESFS w/o ESFH
- 2 - ESFM, ESFS with ESFH
- 3 - ESFC

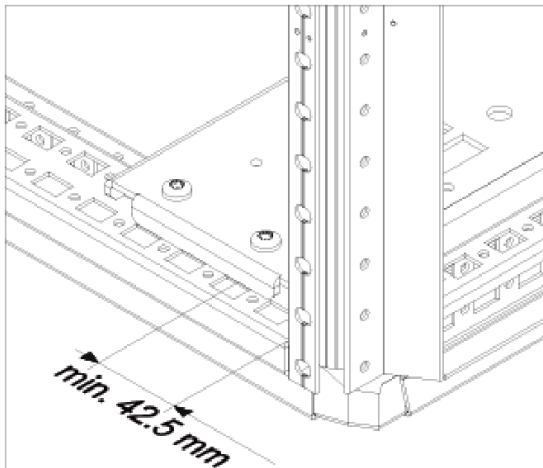
ESFB



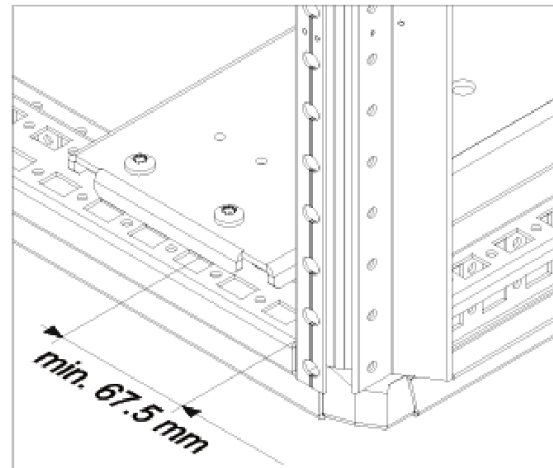
When used with ESFM, ESFS with ESFH



When used with ESFC, ESFS w/o ESFH



When used with ESFM, ESFS with ESFH

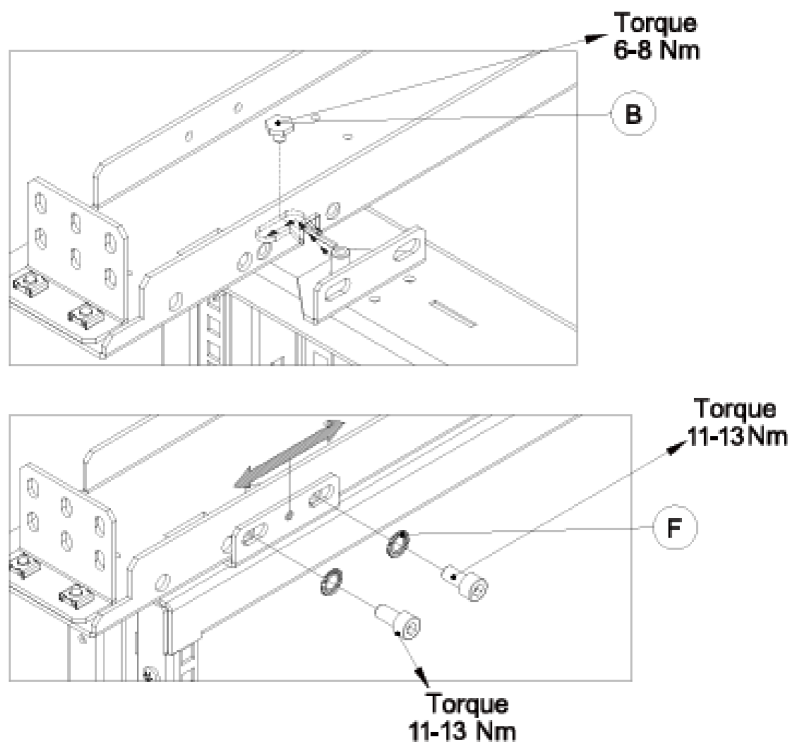
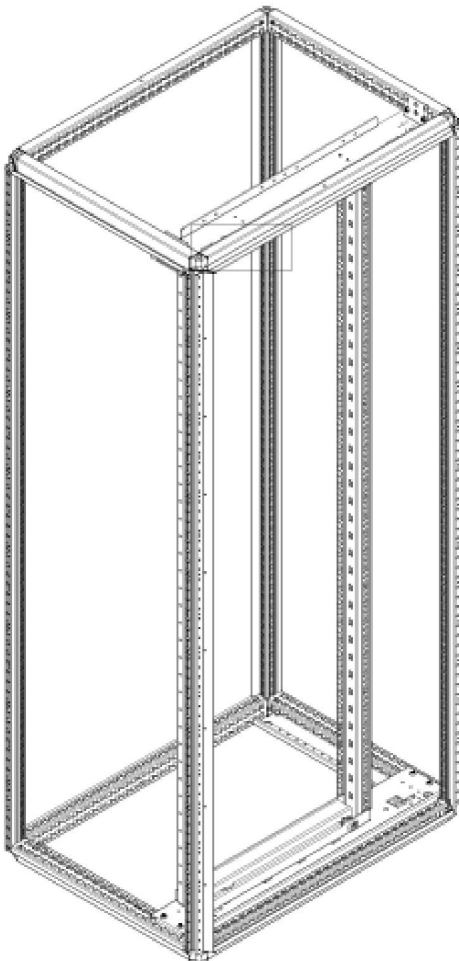
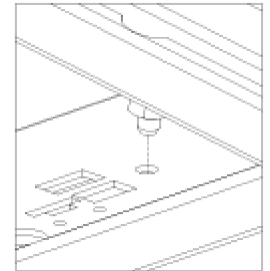
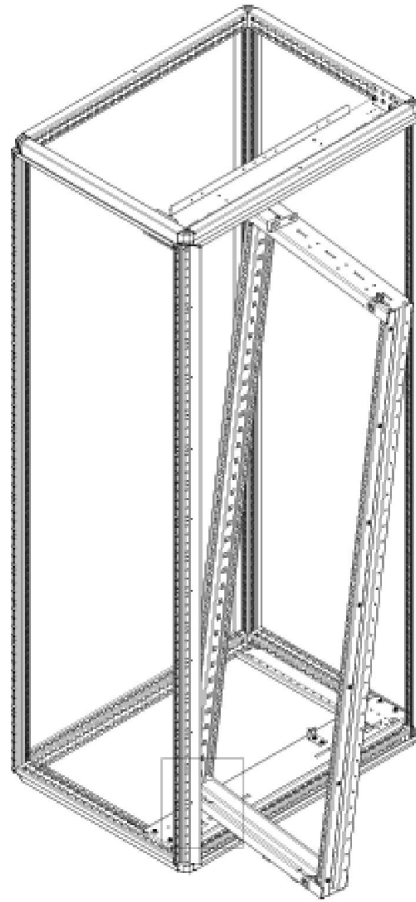
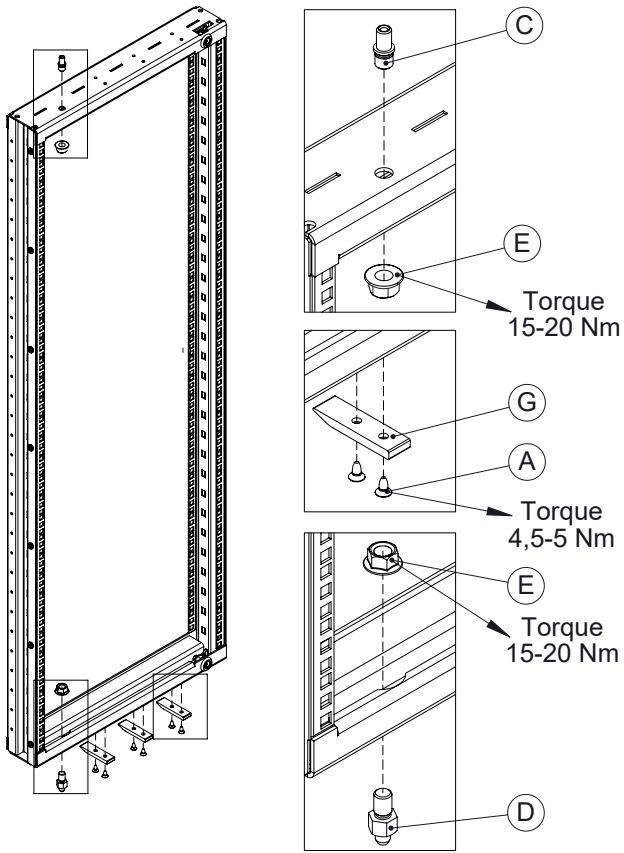


When used with ESFC, ESFS w/o ESFH



ESFC

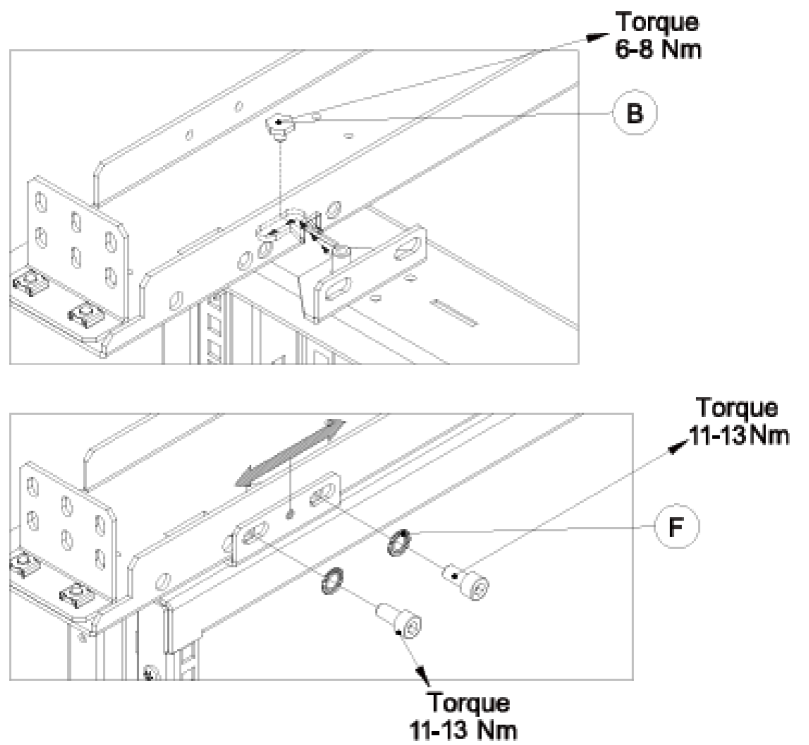
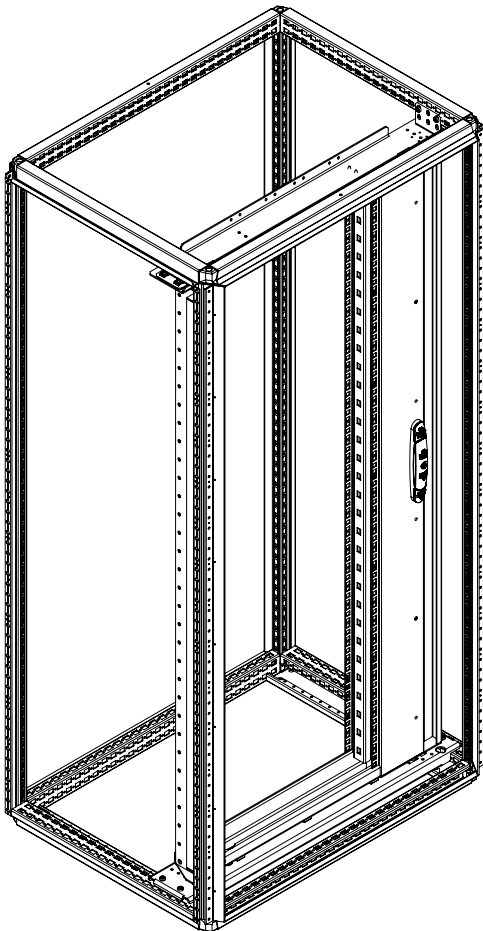
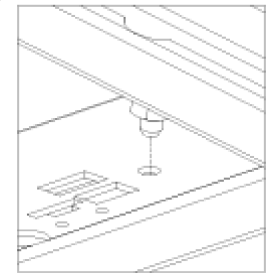
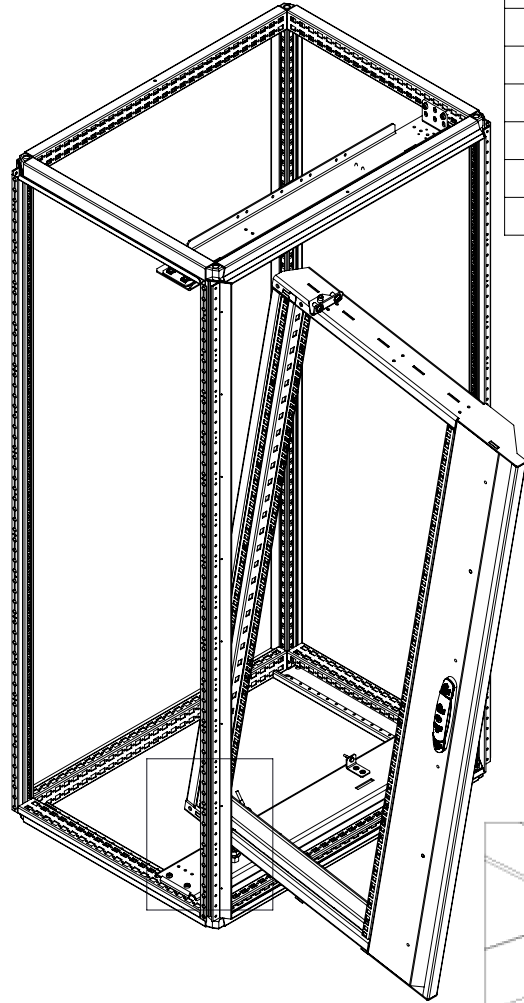
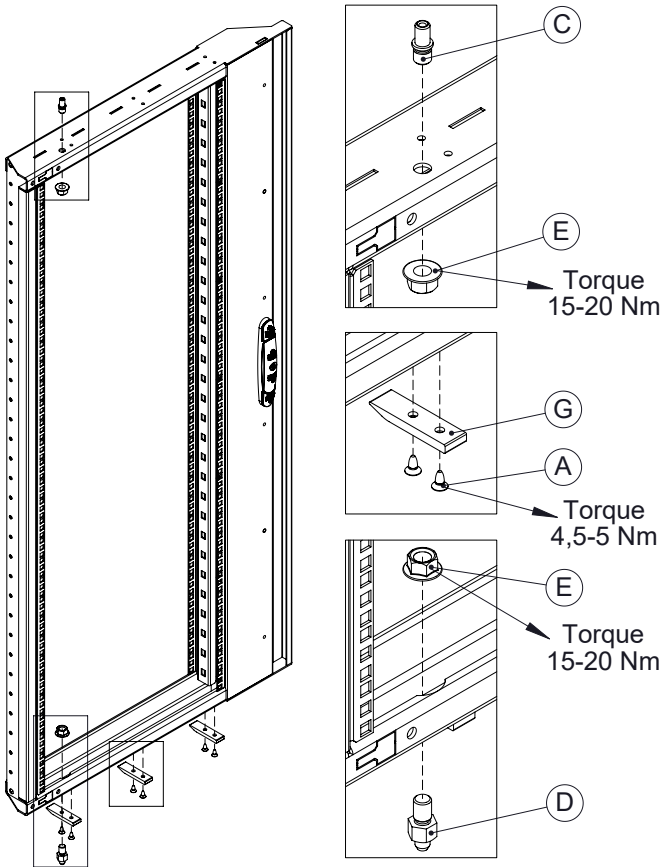
Ref.	Pic.	Qty.
A		M6x12 6
B		M6x5 1
C		M12 1
D		M12 1
E		M12 2
F		M8 2
G		3





ESFS

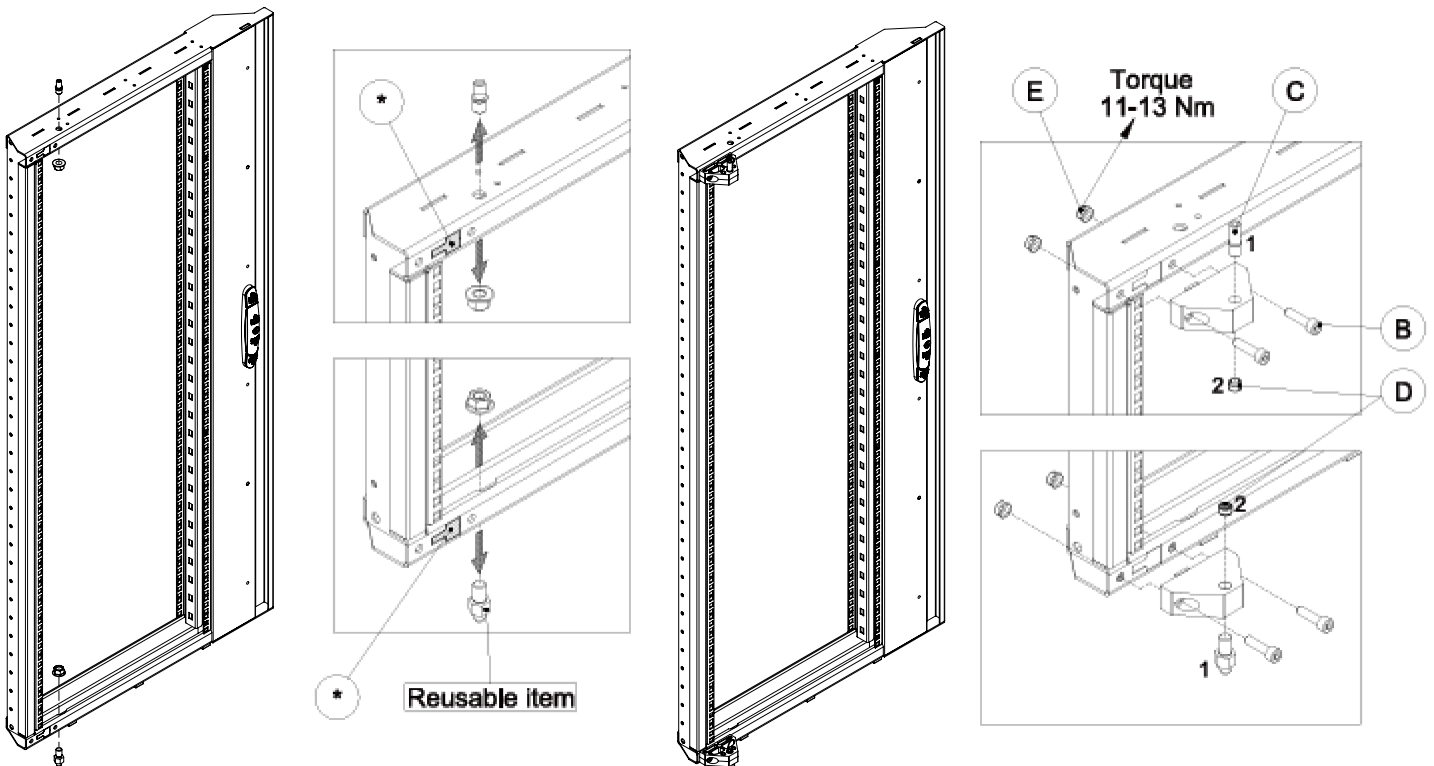
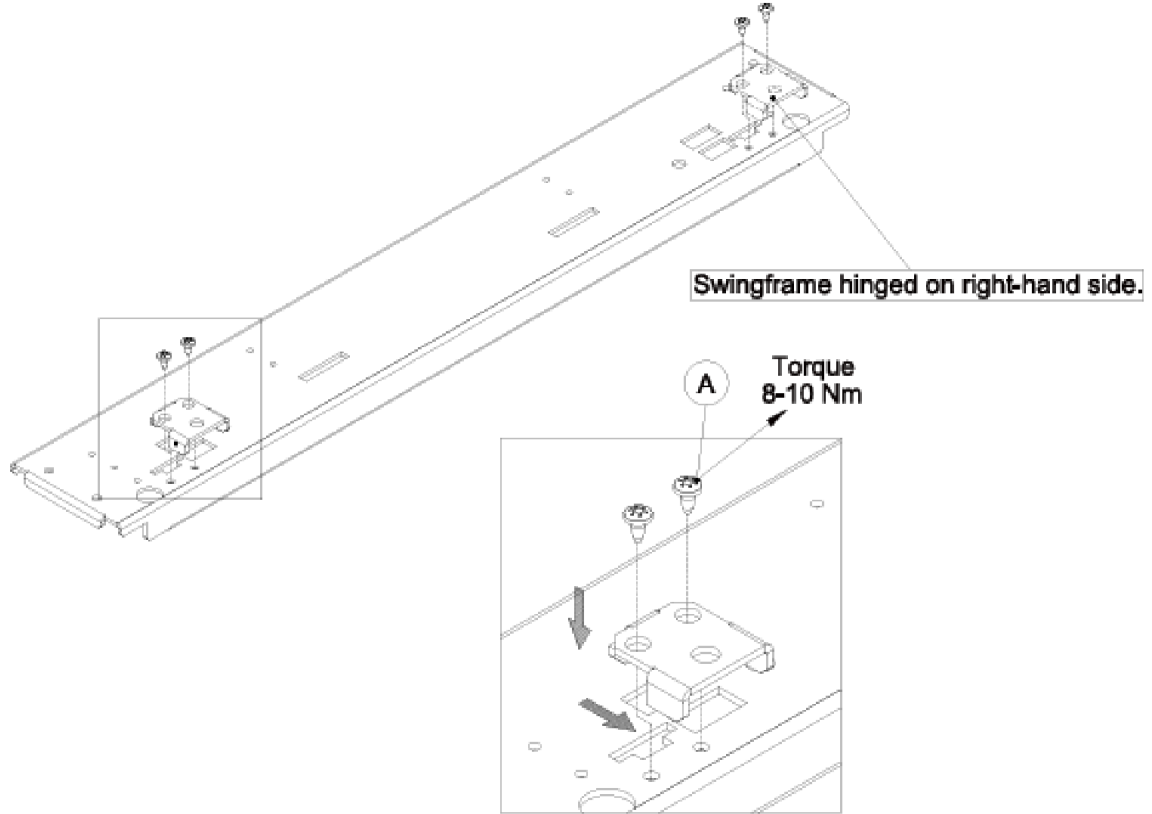
Ref.	Pic.	Qty.
A	M6x12	6
B	M6x5	1
C	M12	1
D	M12	1
E	M12	2
F	M8	2
G		3





ESFS - ESFH180

Ref.	Pic.	Qty.
A	M6x12	2
B	M8x30	4
C	M12	1
D	M12x12	2
E	M8	4



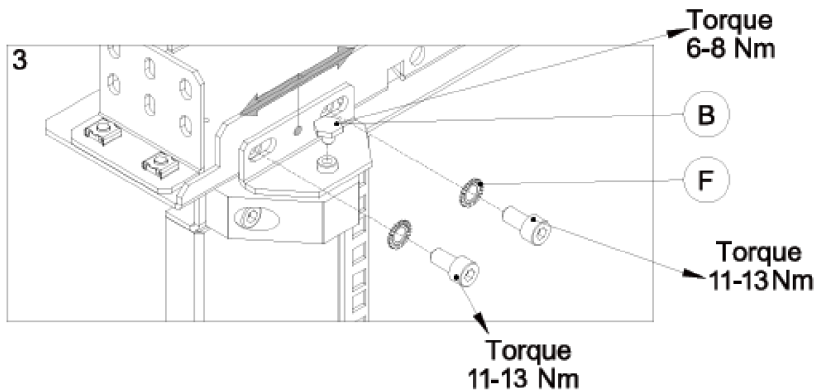
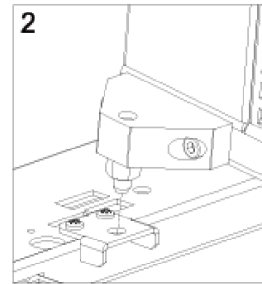
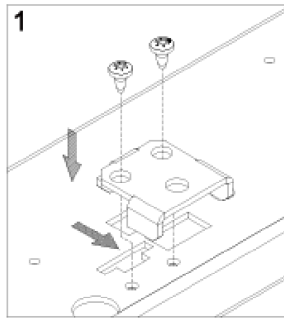
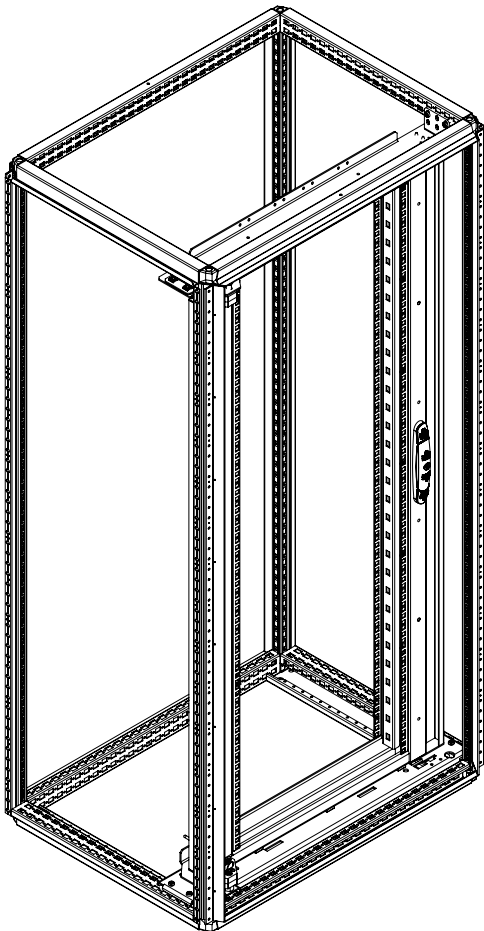
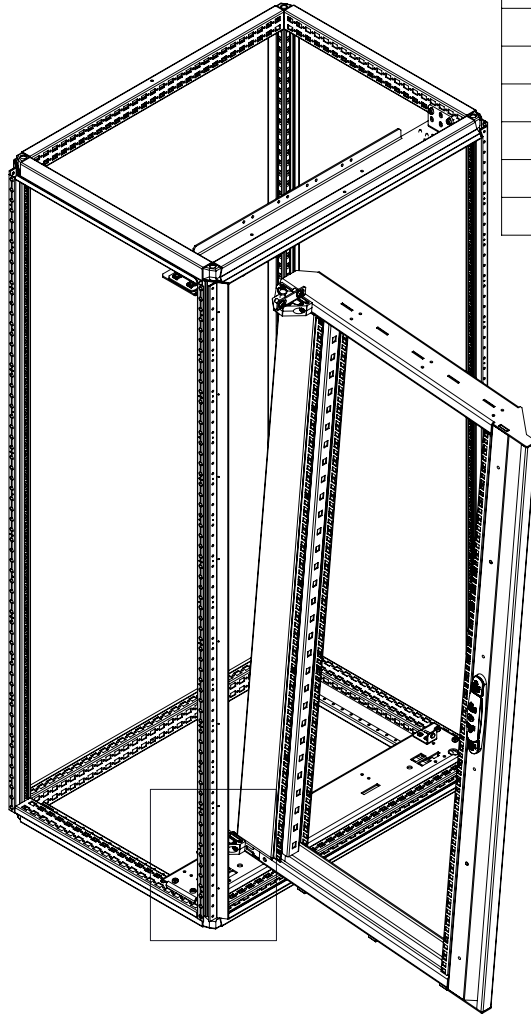
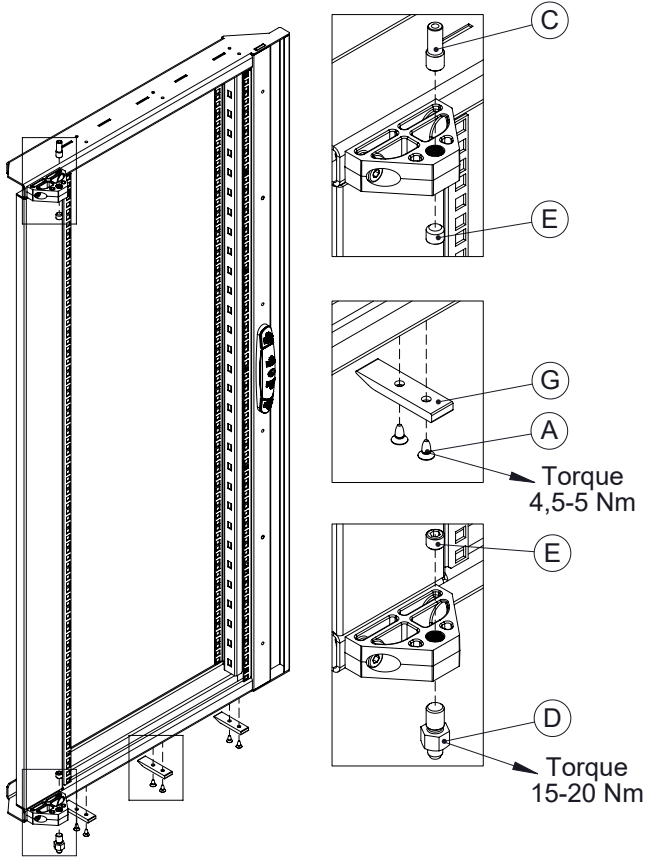
* - Remove with straight screwdriver

Swingframe mounting according to ESFM on page 7.



ESFM

Ref.	Pic.	Qty.
A	M6x12	6
B	M6x5	1
C	M12	1
D	M12	1
E	M12x12	2
F	M8	2
G		3



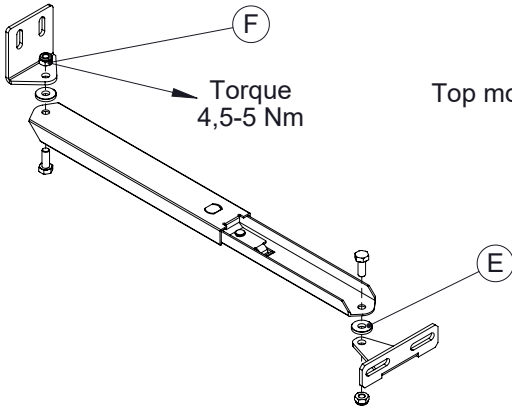


ESFD130/180

Ref.	Pic.	Qty.
A	M6x12	4
B	M6x16	2
C	M6	2
D	M6x16	4
E	M6	4
F	M6	5

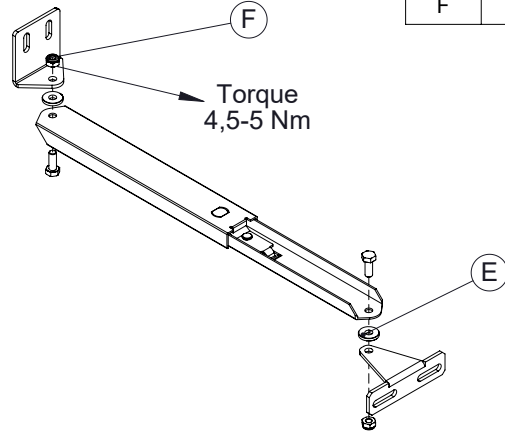
1. ESFD fixed on ES

2. ESFD fixed on frame ESFD130 for ESFB06+ESFC ESFD180 sor ESFB08+ESFS/ESFM

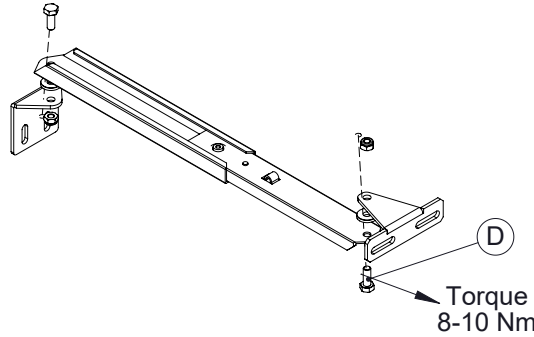


Top mounting position

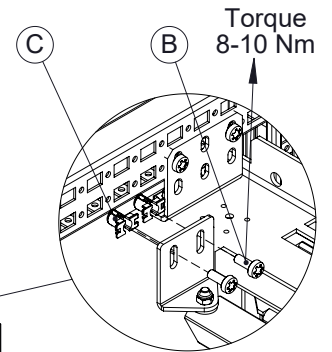
Bottom mounting position



Torque 4,5-5 Nm



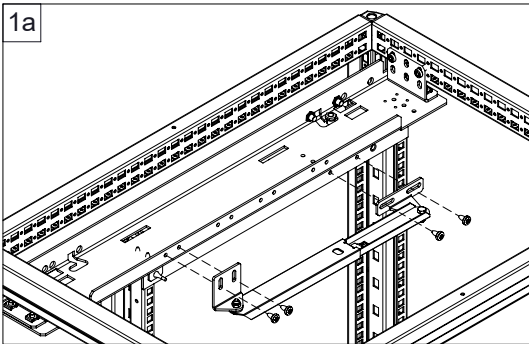
Torque 8-10 Nm



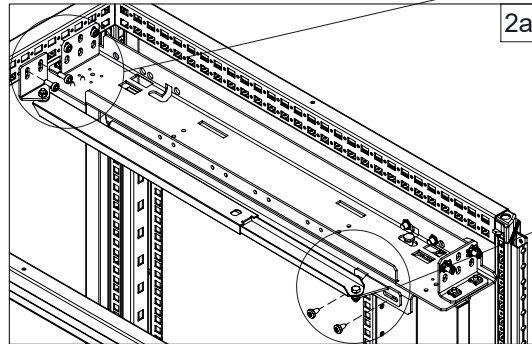
Torque 8-10 Nm

Top mounting

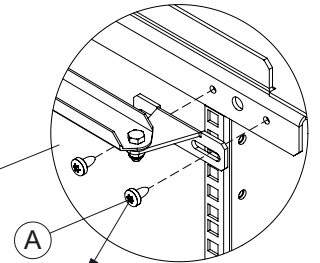
Top mounting



1a



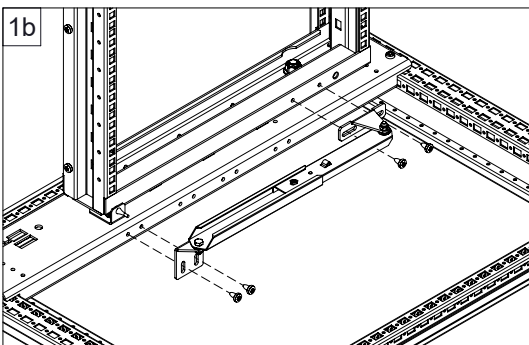
2a



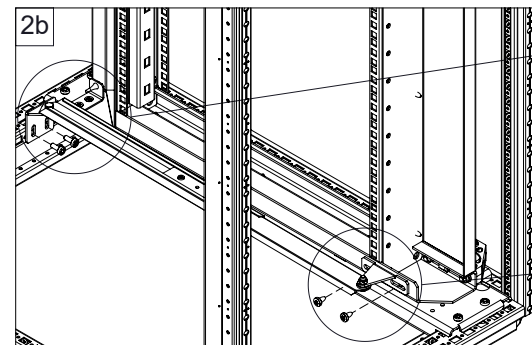
Torque 8-10 Nm

Bottom mounting

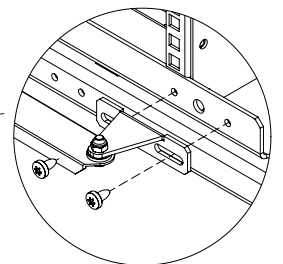
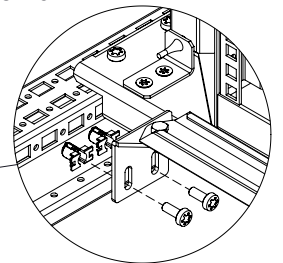
Bottom mounting



1b



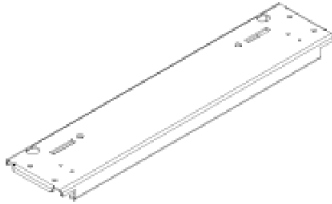
2b



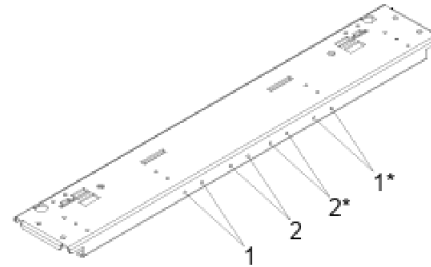
* ESFB mounting holes instructions according to page 10.

ESFD MOUNTING HOLES FOR ESFB

ESFD in 600W



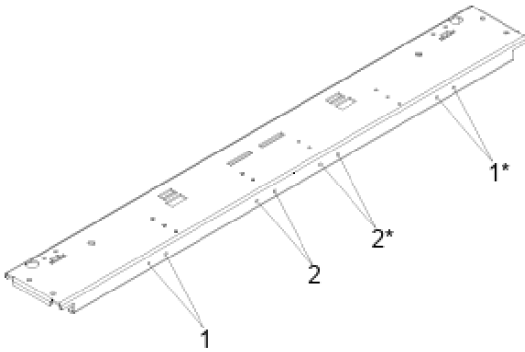
ESFD in 800W



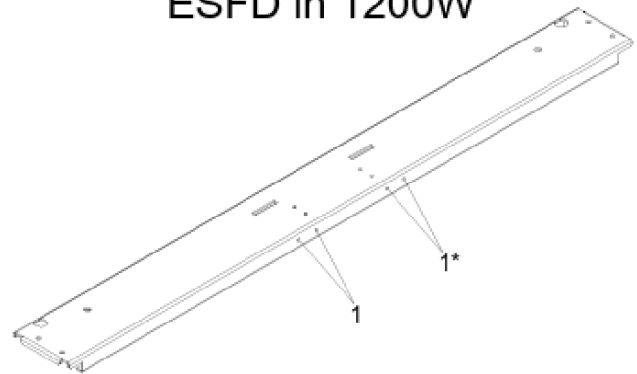
- SFD130 for ESFC left/right hand opening fixed on frame

- 1 - ESFD130 for ESFC/ESFS left hand opening
- 1* - ESFD130 for ESFC/ESFS right hand opening
- 2 - ESFD130 for ESFM/ESFS with ESFH180 left hand opening
- 2* - ESFD130 for ESFM/ESFS with ESFH180 left hand opening

ESFD in 1000W



ESFD in 1200W

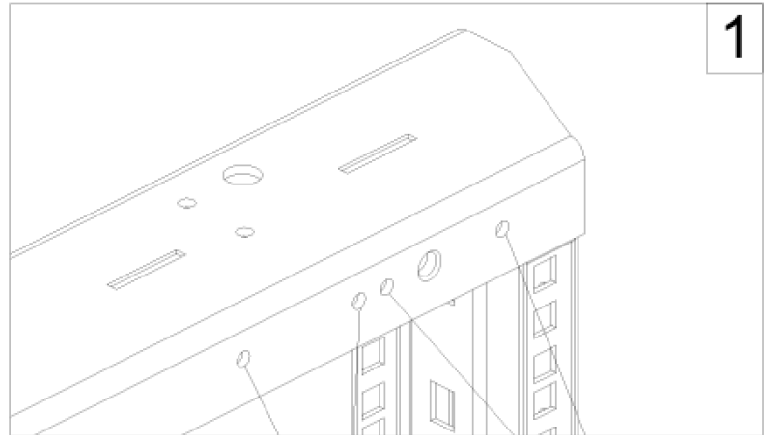
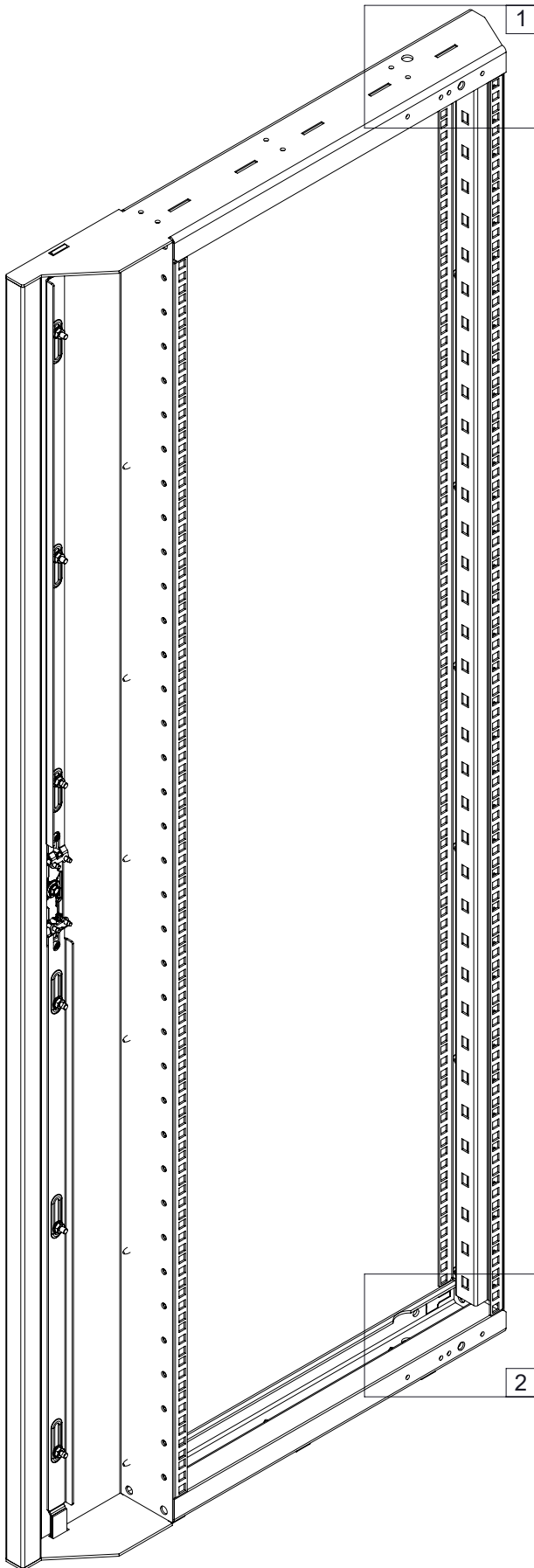


- 1 - ESFD180 for ESFM+ESFH180 left hand opening
- 1 - ESFD180 for ESFS+ESFH180 left hand opening
- 2 - ESFD130 for ESFC left hand opening
- 2 - ESFD130 for ESFS left hand opening
- 2* - ESFD130 for ESFM+ESFH180 left hand opening
- 2* - ESFD130 for ESFS+ESFH180 left hand opening

- 1* - ESFD180 for ESFM+ESFH180 right hand opening
- 1* - ESFD180 for ESFS+ESFH180 right hand opening
- 2* - ESFD130 for ESFC right hand opening
- 2* - ESFD130 for ESFS right hand opening
- 2 - ESFD130 for ESFM+ESFH180 right hand opening
- 2 - ESFD130 for ESFS+ESFH180 right hand opening

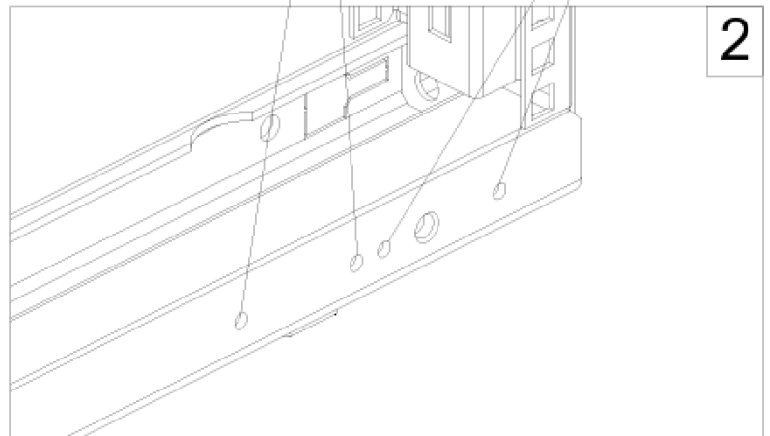
- 1 - ESFD130 for ESFC right hand opening
- 1* - ESFD130 for ESFC left hand opening

ESFD MOUNTING HOLES FOR ESFS



For ESFD130

For ESFD180 or
with ESFH180
mounted



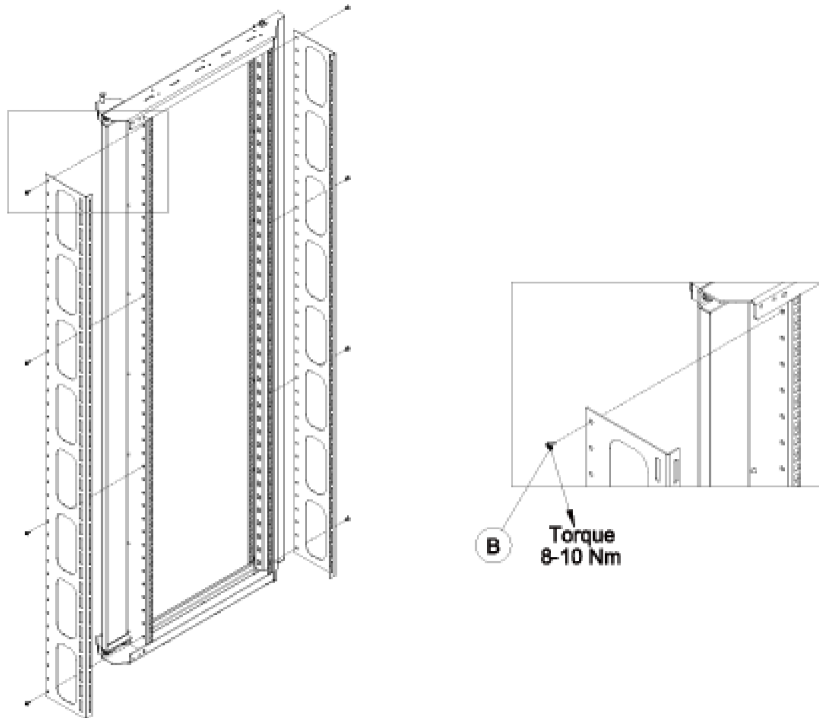
2

1



SFMP

Ref.	Pic.	Qty.
A	M6x12	8
B	M6	12



SFSU

Ref.	Pic.	Qty.
A	M6x12	4
B	M6	4
C	M6	4

