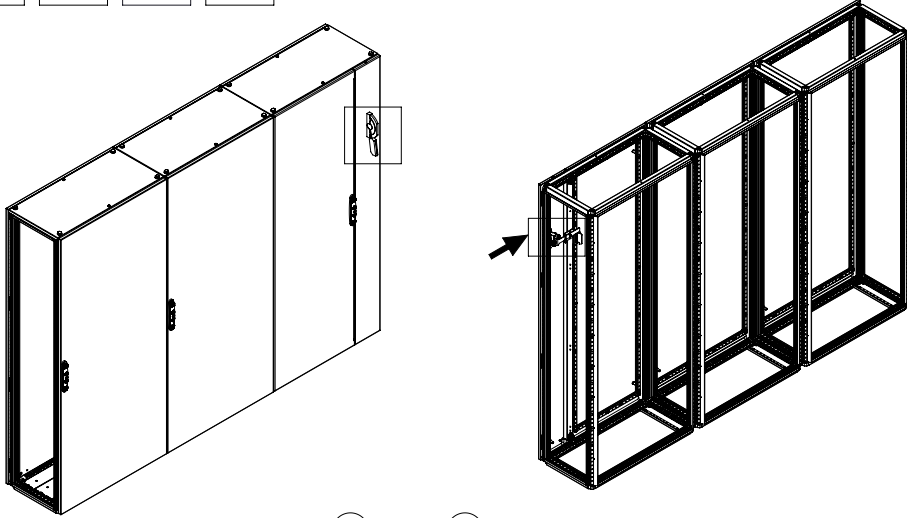
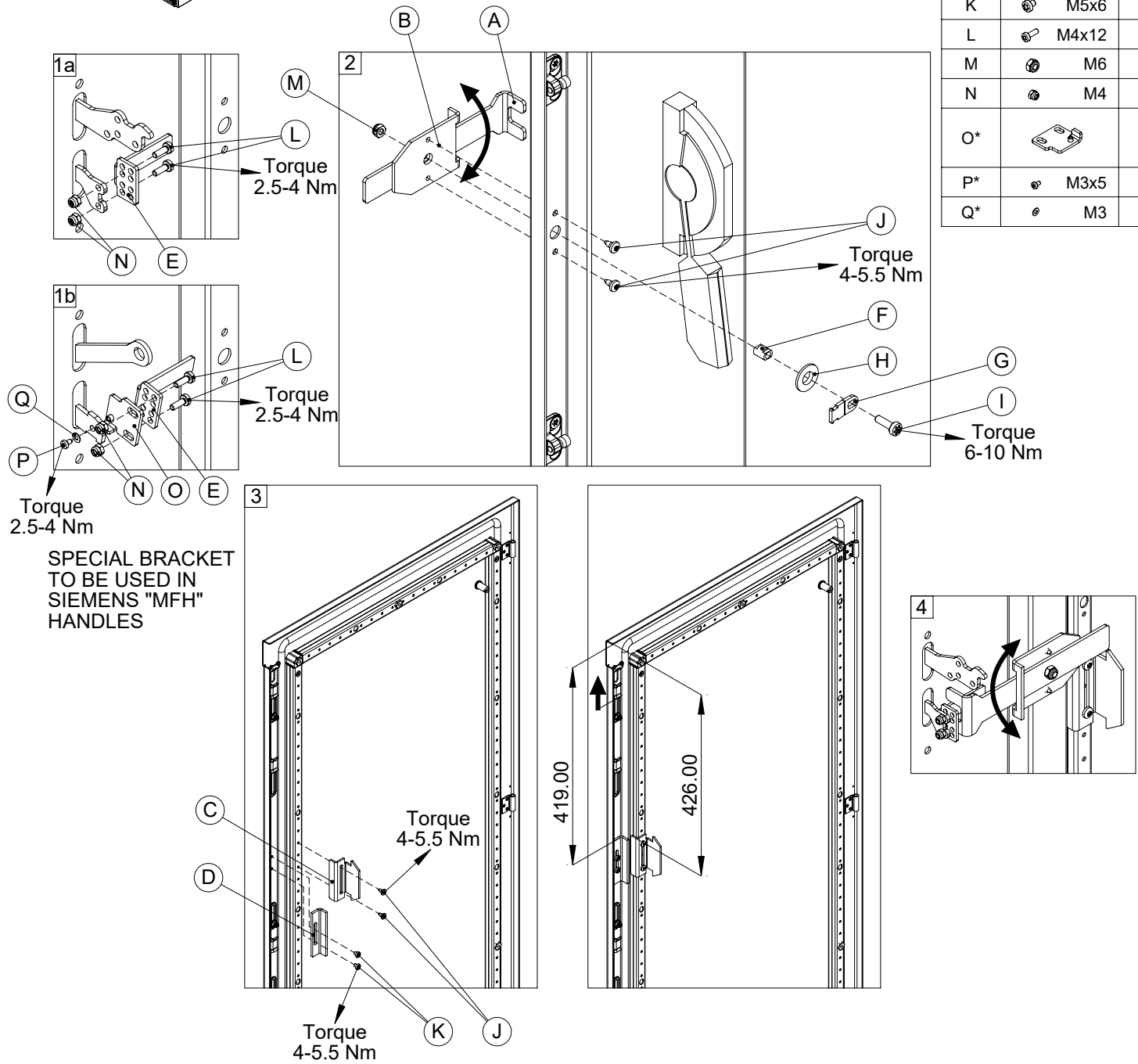


FMD01

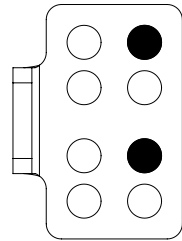
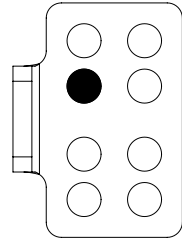
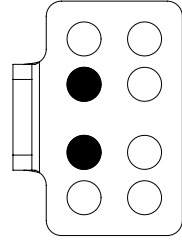
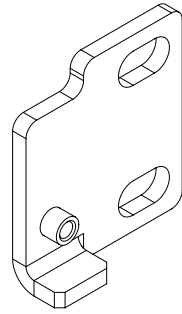


Ref.	Pic.	Qty.
A		1
B		1
C		1
D		1
E		1
F		1
G		1
H		1
I	M6x20	1
J	M5x10	4
K	M5x6	2
L	M4x12	2
M	M6	2
N	M4	2
O*		1
P*	M3x5	1
Q*	M3	1



FMD01

	Handle	Configuration
ABB	DSFHN-HS	3*
	OHF1C	2
Eaton	C361	3*
	C371	3*
GE	SCH1 / SCH2	3
	SCOM	3
	SDOM	3
	STDA	3
	TDOM	3
Rockwell / Allen Bradley	140G M1/S1/P1/P2	1*
	1494C (\leq 200A)	1*
	1494F M1/S1/P1	1*
	1494V (\leq 200A)	1*
	194R	1*
Siemens	FDH10 / FDH20	2
	FHOH	2
	MFHM3RS / MFHM4X	4
Square D	9422 Type A1/A3/A9	3
	9422 Type A2/A4/A10	3

	Configuration Options
1	
2	
3	
4	

NOTE: For configuration #2 it is recommended to use an extra bolt/nut beneath the single hole in order to prevent accidental rotation.

* Use hardware included in supplier's disconnect handles.