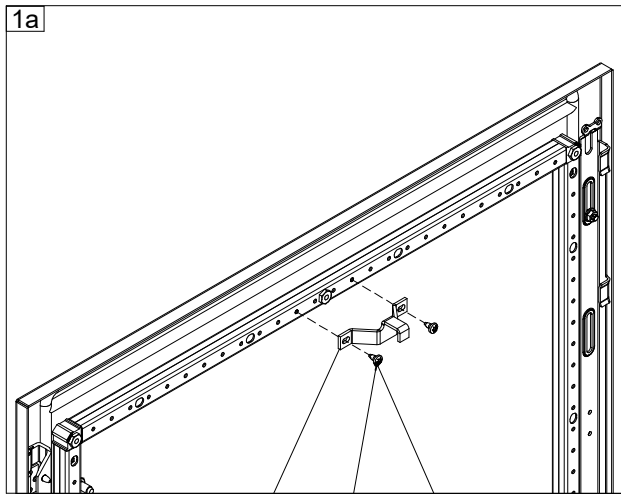
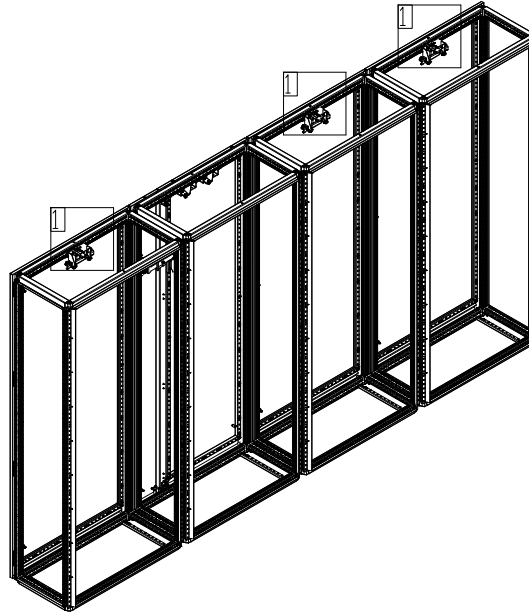
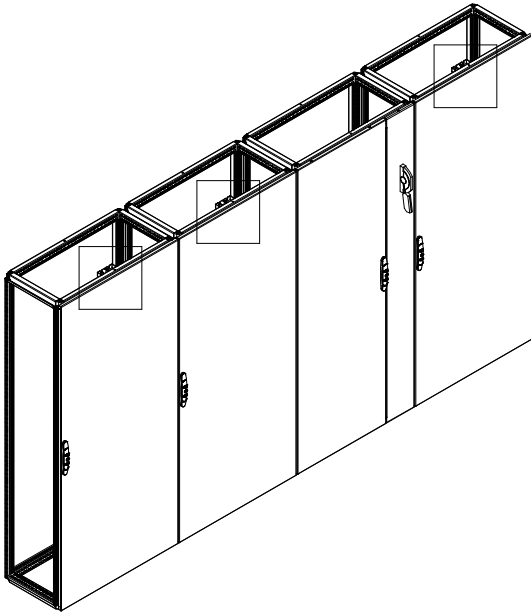
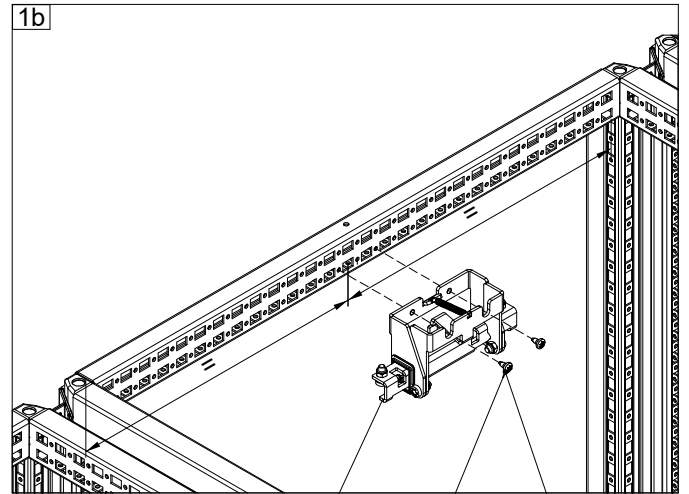


FMS 01

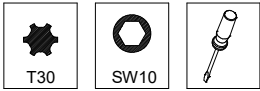
| Ref. | Pic. | Qty. |
|------|-------|------|
| A | | 1 |
| B | | 1 |
| C | M5x10 | 4 |



(A) (C) Torque 4-5.5 Nm



(B) (C) Torque 4-5.5 Nm



FMS 01

| Ref. | Pic. | Qty. |
|------|------|------|
| A | | 1 |
| B | | 1 |
| C | | 1 |
| D | | 2 |
| E | | 1 |
| F | | 1 |
| G | | 4 |
| H | | 4 |

