

INTERSAFE DATA INTERFACE PORTS, TYPE 4/4X/12

INDUSTRY STANDARDS
Mild Steel Painted Ports

UL 508A Component Recognized; Type 4, 12; File No. E61997
 cUL Component Recognized per CSA C22.2 No 94; Type 4, 12;
 File No. E61997

NEMA/EEMAC Type 4, 12
 IEC 60529, IP66

Stainless Steel Ports

UL 508A Component Recognized; Type 4, 4X, 12; File No.
 E61997
 cUL Component Recognized per CSA C22.2 No 94; Type 4, 4X,
 12; File No. E61997

NEMA/EEMAC Type 4, 4X, 12
 IEC 60529, IP66

Clear-Cover (polycarbonate) Ports

UL 508A Component Recognized; Type 4X, 12; File No.
 E61997
 cUL Component Recognized per CSA C22.2 No 94; Type 4, 4X,
 12; File No. E61997

IEC 60529, IP66

APPLICATION

INTERSAFE Data Interface Ports are mounted on an enclosure to allow programming access to devices inside without opening the enclosure door.

FEATURES

- Ready to use
- Frame and door assembly with aluminum back plate included with all models; 120 VAC receptacles and programming connectors are mounted to the plate in 40 standard configurations
- All standard configurations include a GFCI or standard duplex receptacle with a 5-A circuit breaker for added safety
- Door gasket (between the door and plate assemblies) and plate gasket (between the plate assembly and the enclosure) together provide a tight seal
- Template provided for accurate enclosure cutout dimensions
- Quarter-turn latch with screwdriver slot and padlock hasp on all steel and stainless steel door models for convenience and security
- Quarter-turn latch with screwdriver slot on polycarbonate models
- Disk drive enclosure provides access to one or two customer-supplied disk drives without opening the cabinet
- Modifications and customization available to accommodate a wide variety of additional connectors

SPECIFICATIONS

- Door assembly and frame manufactured from 16 gauge steel or stainless steel
- Clear-cover models have a molded polycarbonate door
- Steel and stainless steel doors are welded and ground
- Back plate is aluminum

FINISH

- RAL 9005 black fine-textured polyester powder coating—mild steel door assemblies
- Brushed finish—stainless steel door assemblies
- Brushed finish—aluminum back plates

MODIFICATION AND CUSTOMIZATION

Hoffman excels at modifying and customizing products to your specifications. Contact your local Hoffman sales office or distributor for complete information.

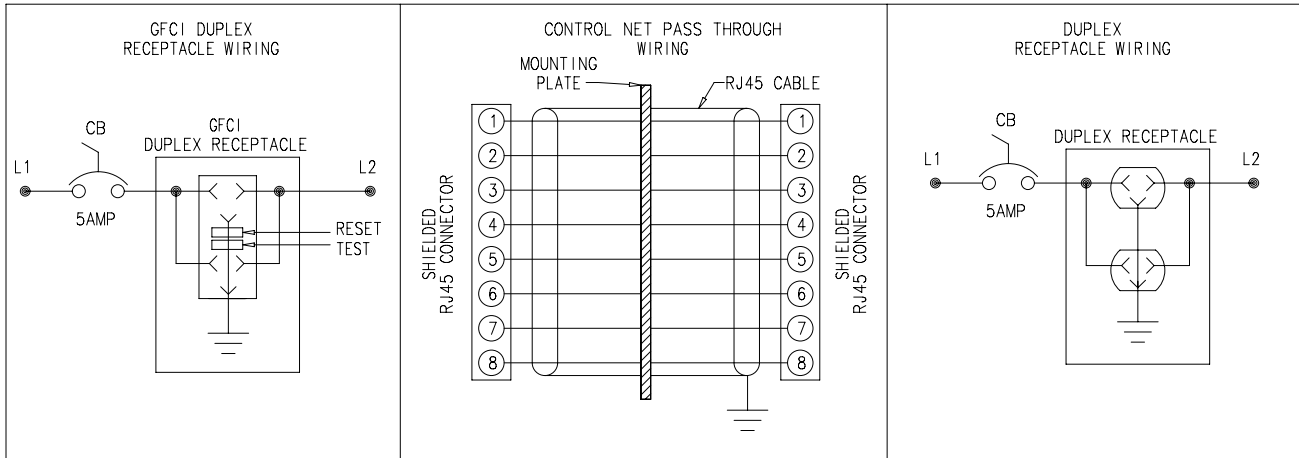
INTERSAFE DATA PORTS FOR CONTROLNET PROTOCOL



Left-hand image shows front view, GFCI Receptacle Models. Right-hand image shows Front front view, Duplex Receptacle Models. Rear view with and without terminal cover are below the table.

BULLETIN: A70E

Catalog Number	Material	Configuration	Primary Connector/ Termination	Secondary Connector/ Termination	Supports Devices Sold by the Following Manufacturers
HGF5CN	Steel	- 120 VAC GFCI receptacle - Shielded RJ45 - 5-amp circuit breaker	- Shielded RJ45 - 10-ft. shielded cable with male RJ45	—	Allen-Bradley
HGF5CNSS	Stainless Steel	- 120 VAC GFCI receptacle - Shielded RJ45 - 5-amp circuit breaker	- Shielded RJ45 - 10-ft. shielded cable with male RJ45	—	Allen-Bradley
HGF5CNCC	Composite	- 120 VAC GFCI receptacle - Shielded RJ45 - 5-amp circuit breaker	- Shielded RJ45 - 10-ft. shielded cable with male RJ45	—	Allen-Bradley
HDP5CN	Steel	- 120 VAC duplex receptacle - Shielded RJ45 - 5-amp circuit breaker	- Shielded RJ45 - 10-ft. shielded cable with male RJ45	—	Allen-Bradley
HDP5CNSS	Stainless Steel	- 120 VAC duplex receptacle - Shielded RJ45 - 5-amp circuit breaker	- Shielded RJ45 - 10-ft. shielded cable with male RJ45	—	Allen-Bradley
HDP5CNCC	Composite	- 120 VAC duplex receptacle - Shielded RJ45 - 5-amp circuit breaker	- Shielded RJ45 - 10-ft. shielded cable with male RJ45	—	Allen-Bradley



87929485

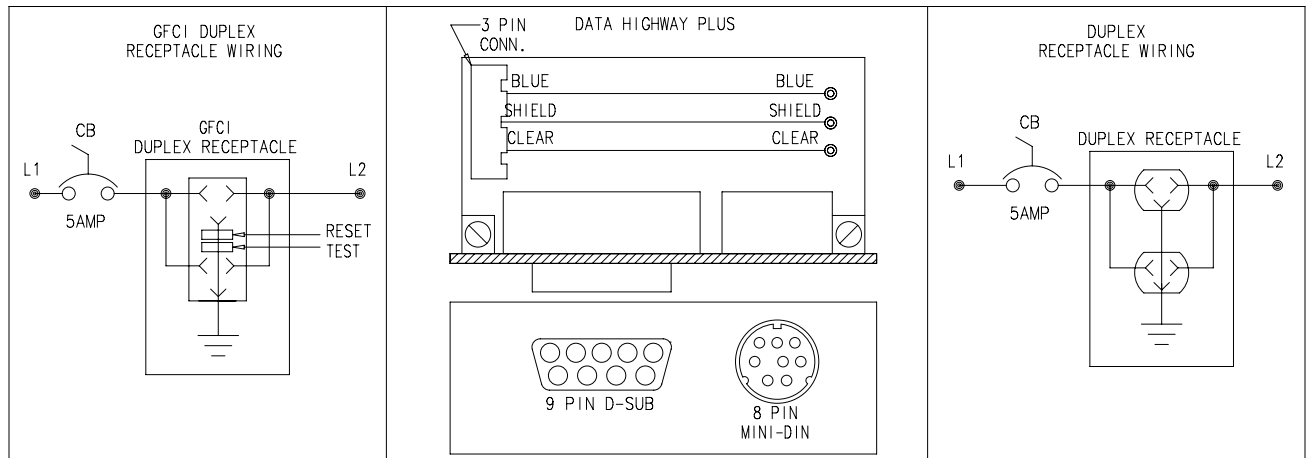
INTERSAFE DATA INTERFACE PORTS FOR DATA HIGHWAY PLUS PROTOCOL



Left-hand image shows front view, GFCI Receptacle Models. Right-hand image shows front view, Duplex Receptacle Models. Rear view with and without terminal cover are below the table.

BULLETIN: A70E

Catalog Number	Material	Configuration	Primary Connector/ Termination	Secondary Connector/ Termination	Supports Devices Sold by the Following Manufacturers
HGF58MDH	Steel	- 120 VAC GFCI receptacle - 8-pin mini DIN - DB9F - 5-amp circuit breaker	Female 8-pin mini DIN	DB9F terminal block	Allen-Bradley
HGF58MDHSS	Stainless Steel	- 120 VAC GFCI receptacle - 8-pin mini DIN - DB9F - 5-amp circuit breaker	Female 8-pin mini DIN	DB9F terminal block	Allen-Bradley
HGF58MDHCC	Composite	- 120 VAC GFCI receptacle - 8-pin mini DIN - DB9F - 5-amp circuit breaker	Female 8-pin mini DIN	DB9F terminal block	Allen-Bradley
HDP58MDH	Steel	- 120 VAC duplex receptacle - 8-pin mini DIN - DB9F - 5-amp circuit breaker	Female 8-pin mini DIN	DB9F terminal block	Allen-Bradley
HDP58MDHSS	Stainless Steel	- 120 VAC duplex receptacle - 8-pin mini DIN - DB9F - 5-amp circuit breaker	Female 8-pin mini DIN	DB9F terminal block	Allen-Bradley
HDP58MDHCC	Composite	- 120 VAC duplex receptacle - 8-pin mini DIN - DB9F - 5-amp circuit breaker	Female 8-pin mini DIN	DB9F terminal block	Allen-Bradley



87929486

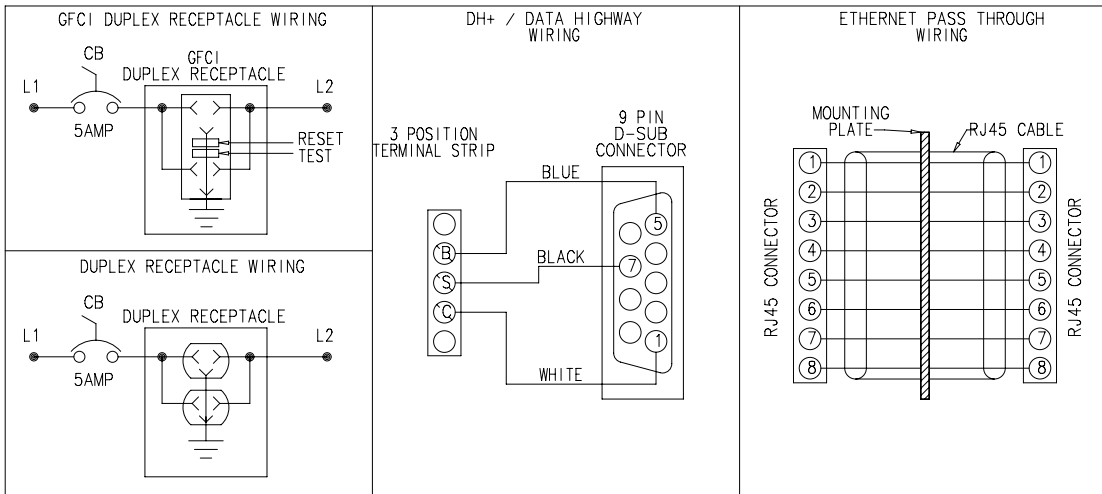
INTERSAFE DATA INTERFACE PORTS FOR DH+, MODBUS PLUS, ETHERNET PROTOCOL



Left-hand image shows front view, GFCI Receptacle Models. Right-hand image shows front view, Duplex Receptacle Models. Rear view with and without terminal cover are below the table.

BULLETIN: A70E

Catalog Number	Material	Configuration	Primary Connector/ Termination	Secondary Connector/ Termination	Supports Devices Sold by the Following Manufacturers
HGF5ETHDHDH	Steel	- 120 VAC GFCI receptacle - RJ45 - DB9F - 5-amp circuit breaker	DB9F terminal block	- RJ45 - 10-ft. cable with male RJ45	Allen-Bradley Group Schneider Computer peripherals
HGF5ETHDHSS	Stainless Steel	- 120 VAC GFCI receptacle - RJ45 - DB9F - 5-amp circuit breaker	DB9F terminal block	- RJ45 - 10-ft. cable with male RJ45	Allen-Bradley Group Schneider Computer peripherals
HGF5ETHDHCC	Composite	- 120 VAC GFCI receptacle - RJ45 - DB9F - 5-amp circuit breaker	DB9F terminal block	- RJ45 - 10-ft. cable with male RJ45	Allen-Bradley Group Schneider Computer peripherals
HDP5ETHDHDH	Steel	- 120 VAC duplex receptacle - RJ45 - DB9F - 5-amp circuit breaker	DB9F terminal block	- RJ45 - 10-ft. cable with male RJ45	Allen-Bradley Group Schneider Computer peripherals
HDP5ETHDHSS	Stainless Steel	- 120 VAC duplex receptacle - RJ45 - DB9F - 5-amp circuit breaker	DB9F terminal block	- RJ45 - 10-ft. cable with male RJ45	Allen-Bradley Group Schneider Computer peripherals
HDP5ETHDHCC	Composite	- 120 VAC duplex receptacle - RJ45 - DB9F - 5-amp circuit breaker	DB9F terminal block	- RJ45 - 10-ft. cable with male RJ45	Allen-Bradley Group Schneider Computer peripherals



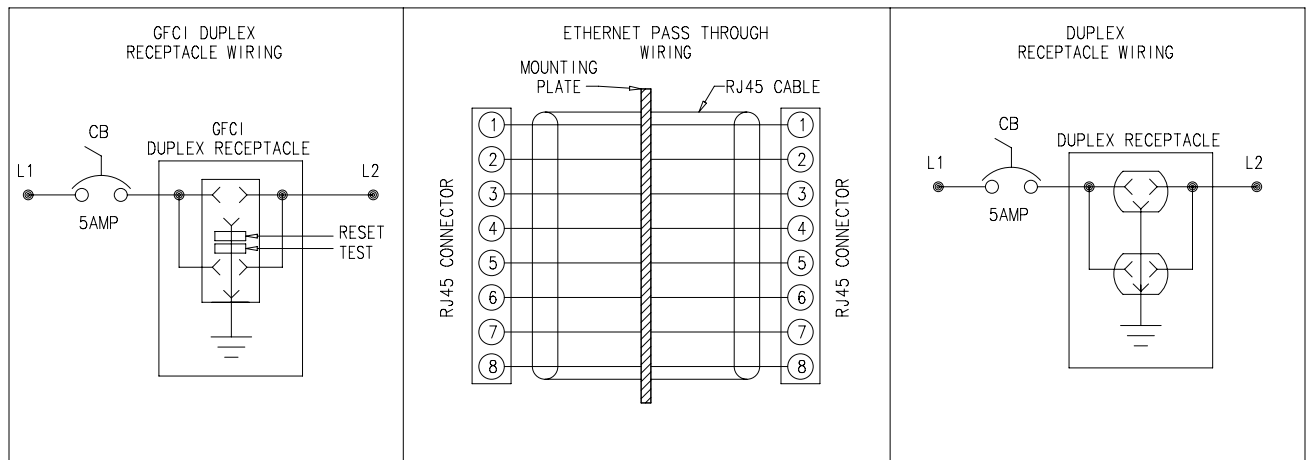
87929488

INTERSAFE DATA INTERFACE PORTS FOR ETHERNET PROTOCOL


Left-hand image shows front view, GFCI Receptacle Models. Right-hand image shows front view, Duplex Receptacle Models. Rear view with and without terminal cover are below the table.

BULLETIN: A70E

Catalog Number	Material	Configuration	Primary Connector/ Termination	Secondary Connector/ Termination	Supports Devices Sold by the Following Manufacturers
HGF5ETHETH	Steel	- 120 VAC GFCI receptacle - RJ45 - RJ45 - 5-amp circuit breaker	- RJ45 - 10-ft. cable	- RJ45 - 10-ft. cable	Computer peripherals
HGF5ETHETHSS	Stainless Steel	- 120 VAC GFCI receptacle - RJ45 - RJ45 - 5-amp circuit breaker	- RJ45 - 10-ft. cable	- RJ45 - 10-ft. cable	Computer peripherals
HGF5ETHETHCC	Composite	- 120 VAC GFCI receptacle - RJ45 - RJ45 - 5-amp circuit breaker	- RJ45 - 10-ft. cable	- RJ45 - 10-ft. cable	Computer peripherals
HDP5ETHETH	Steel	- 120 VAC duplex receptacle - RJ45 - RJ45 - 5-amp circuit breaker	- RJ45 - 10-ft. cable	- RJ45 - 10-ft. cable	Computer peripherals
HDP5ETHETHSS	Stainless Steel	- 120 VAC duplex receptacle - RJ45 - RJ45 - 5-amp circuit breaker	- RJ45 - 10-ft. cable	- RJ45 - 10-ft. cable	Computer peripherals
HDP5ETHETHCC	Composite	- 120 VAC duplex receptacle - RJ45 - RJ45 - 5-amp circuit breaker	- RJ45 - 10-ft. cable	- RJ45 - 10-ft. cable	Computer peripherals



87929489

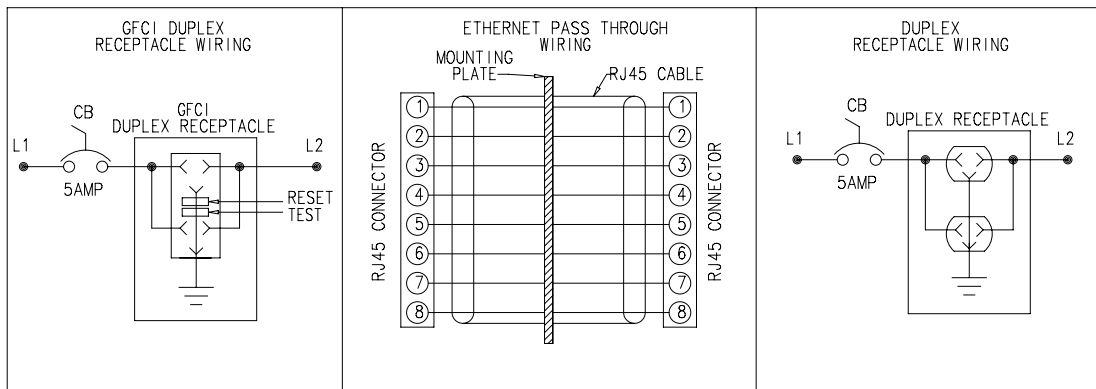
INTERSAFE DATA INTERFACE PORTS FOR ETHERNET/PROFINET PROTOCOL



Left-hand image shows front view, GFCI Receptacle Models. Right-hand image shows front view, Duplex Receptacle Models. Rear view with and without terminal cover are below the table.

BULLETIN: A70E

Catalog Number	Material	Configuration	Configuration	Secondary Connector/ Termination	Supports Devices Sold by the Following Manufacturers
HGF5ETH	Steel	- 120 VAC GFCI receptacle - RJ45 - 5-amp circuit breaker	- RJ45 - 10-ft. cable	---	Allen-Bradley GE Fanuc Groupe Schneider Siemens Computer peripherals
HGF5ETHSS	Stainless Steel	- 120 VAC GFCI receptacle - RJ45 - 5-amp circuit breaker	- RJ45 - 10-ft. cable	---	Allen-Bradley GE Fanuc Groupe Schneider Siemens Computer peripherals
HGF5ETHCC	Composite	- 120 VAC GFCI receptacle - RJ45 - 5-amp circuit breaker	- RJ45 - 10-ft. cable	---	Allen-Bradley GE Fanuc Groupe Schneider Siemens Computer peripherals
HDP5ETH	Steel	- 120 VAC duplex receptacle - RJ45 - 5-amp circuit breaker	- RJ45 - 10-ft. cable	---	Allen-Bradley GE Fanuc Groupe Schneider Siemens Computer peripherals
HDP5ETHSS	Stainless Steel	- 120 VAC duplex receptacle - RJ45 - 5-amp circuit breaker	- RJ45 - 10-ft. cable	---	Allen-Bradley GE Fanuc Groupe Schneider Siemens Computer peripherals
HDP5ETHCC	Composite	- 120 VAC duplex receptacle - RJ45 - 5-amp circuit breaker	- RJ45 - 10-ft. cable	---	Allen-Bradley GE Fanuc Groupe Schneider Siemens Computer peripherals



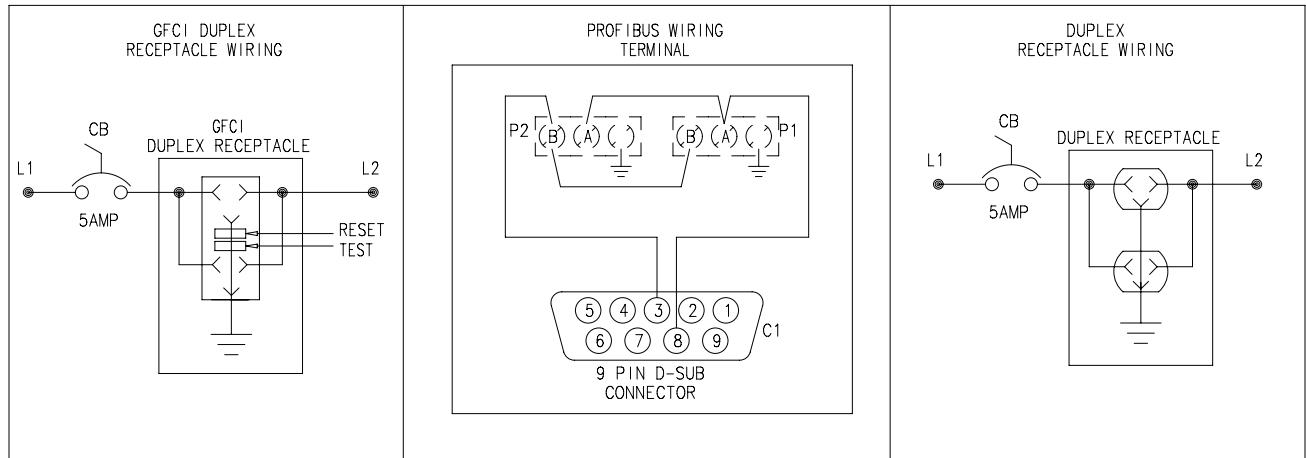
87929490

INTERSAFE DATA INTERFACE PORTS FOR PROFIBUS PROTOCOL


Left-hand image shows front view, GFCI Receptacle Models. Right-hand image shows front view, Duplex Receptacle Models. Rear view with and without terminal cover are below the table.

BULLETIN: A70E

Catalog Number	Material	Configuration	Primary Connector/ Termination	Secondary Connector/ Termination	Supports Devices Sold by the Following Manufacturers
HGF5PB	Steel	- 120 VAC GFCI receptacle - 9-pin Profibus - 5-amp circuit breaker	9-pin Profibus terminal	---	Allen-Bradley GE Fanuc Siemens
HGF5PBSS	Stainless Steel	- 120 VAC GFCI receptacle - 9-pin Profibus - 5-amp circuit breaker	9-pin Profibus terminal	---	Allen-Bradley GE Fanuc Siemens
HDP5PB	Steel	- 120 VAC duplex receptacle - 9-pin Profibus - 5-amp circuit breaker	9-pin Profibus terminal	---	Allen-Bradley GE Fanuc Siemens
HDP5PBCC	Composite	- 120 VAC duplex receptacle - 9-pin Profibus - 5-amp circuit breaker	9-pin Profibus terminal	---	Allen-Bradley GE Fanuc Siemens



87929494

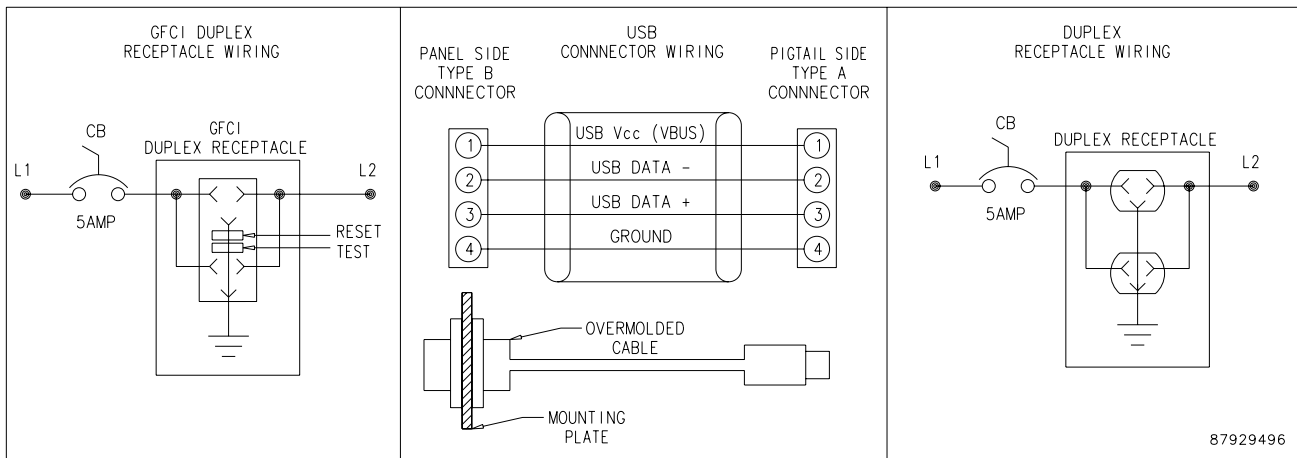
INTERSAFE DATA INTERFACE PORTS FOR USB PROTOCOL, 10-FT. CABLE



Left-hand image shows front view, GFCI Receptacle Models. Right-hand image shows front view, Duplex Receptacle Models. Rear view with and without terminal cover are below the table.

BULLETIN: A70E

Catalog Number	Material	Configuration	Primary Connector/ Termination	Secondary Connector/ Termination	Supports Devices Sold by the Following Manufacturers
HGF5USBUSB	Steel	- 120 VAC GFCI receptacle - USB Type A - USB Type A - 5-amp circuit breaker	- USB Type A- 10-ft. cable with female USB Type B connector	- USB Type A - 10-ft. cable with female USB Type B connector	Computer peripherals
HGF5USBUSBSS	Stainless Steel	- 120 VAC GFCI receptacle - USB Type A - USB Type A - 5-amp circuit breaker	- USB Type A - 10-ft. cable with female USB Type B connector	- USB Type A - 10-ft. cable with female USB Type B connector	Computer peripherals
HGF5USBUSBCC	Composite	- 120 VAC GFCI receptacle - USB Type A - USB Type A - 5-amp circuit breaker	- USB Type A - 10-ft. cable with female USB Type B connector	- USB Type A - 10-ft. cable with female USB Type B connector	Computer peripherals
HDP5USBUSB	Steel	- 120 VAC duplex receptacle - USB Type A - USB Type A - 5-amp circuit breaker	- USB Type A - 10-ft. cable with female USB Type B connector	- USB Type A - 10-ft. cable with female USB Type B connector	Computer peripherals
HDP5USBUSBSS	Stainless Steel	- 120 VAC duplex receptacle - USB Type A - USB Type A - 5-amp circuit breaker	- USB Type A - 10-ft. cable with female USB Type B connector	- USB Type A - 10-ft. cable with female USB Type B connector	Computer peripherals
HDP5USBUSBCC	Composite	- 120 VAC duplex receptacle - USB Type A - USB Type A - 5-amp circuit breaker	- USB Type A - 10-ft. cable with female USB Type B connector	- USB Type A - 10-ft. cable with female USB Type B connector	Computer peripherals



87929496

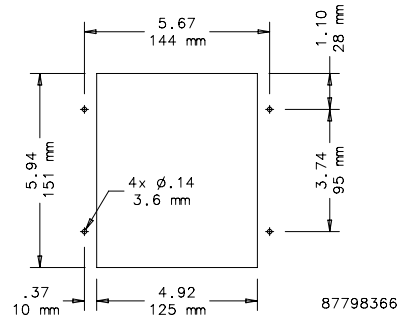
INTERSAFE TYPE 4/4X/12 DATA INTERFACE PORT DISK DRIVE ENCLOSURE



This enclosure, available in both steel and stainless steel, allows access to one or two customer-supplied disk drives from outside the cabinet, allowing computer system use and updates without opening the cabinet.

BULLETIN: A70E

Catalog Number	Configuration	Description
HCP514B	CP2/514b	Steel 2 gang dual CD/DVD drive cover
HCP514BSS	CP2/514b	Stainless steel 2 gang dual CD/DVD drive cover



CUTOUT
(NOT TO SCALE)

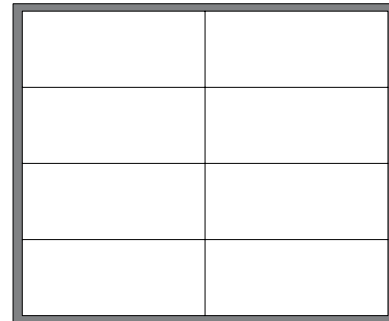
TO ORDER A MODIFIED CONFIGURATION FOR INTERSAFE TYPE 4/4X/12 DATA INTERFACE PORTS



- Choose the required connectors to a maximum of 8 plate sectors (refer to Plate Sector Diagram)
- Order connectors using the code in the Connector ID column of the INTERSAFE Connectors table
- Hoffman will determine the layout of the connectors. If a specific layout is required, contact your local Hoffman Sales Office for a quotation.
- 5-amp circuit breakers will be provided with 120VAC receptacles unless otherwise specified
- To order, contact your local Hoffman sales representative

Configuration Example **Plate Sectors, 8 Maximum**

Customer Requires	Code	Sectors Used
(1) 6-pin mini DIN (female)	MD6	1
(1) RJ45 connector (female)	R45	1
(1) GFCI duplex receptacle with 3-amp circuit breaker	GF3	5



87790670

INTERSAFE CONNECTOR 8M



Connector Description	Connector Termination	Plate Sectors Used
8-pin mini DIN	Terminal Block	2

Left-hand image shows front view. Right-hand image shows rear view.

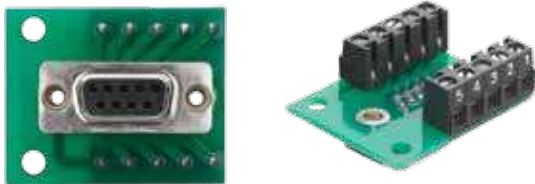
INTERSAFE CONNECTOR 9FG



Connector Description	Connector Termination	Plate Sectors Used
GE Fanuc Genius 9-pin female with bracket	10 ft. cable to male 9-pin D-Sub with bracket	1

Left-hand image shows front view. Right-hand image shows rear view.

INTERSAFE CONNECTOR 9FT



Connector Description	Connector Termination	Plate Sectors Used
D-Sub 9-pin female	9-pin terminal	2

Left-hand image shows front view. Right-hand image shows rear view.

INTERSAFE CONNECTOR 9M



Connector Description	Connector Termination	Plate Sectors Used
D-Sub 9-pin male with cable	10 ft cable to female 9-pin D-Sub	1

Left-hand image shows front view. Right-hand image shows rear view.

INTERSAFE CONNECTOR 9MT



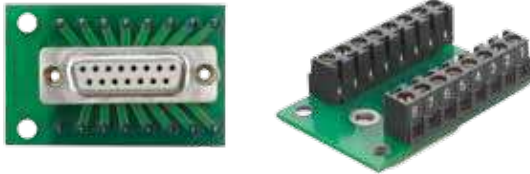
Connector Description	Connector Termination	Plate Sectors Used
D-Sub 9-pin male	9-pin terminal	1

Left-hand image shows front view. Right-hand image shows rear view.

INTERSAFE CONNECTOR 15F


Connector Description	Connector Termination	Plate Sectors Used
D-Sub 15-pin female	10 ft. cable to male 15-pin D-Sub	1

Left-hand image shows front view. Right-hand image shows rear view.

INTERSAFE CONNECTOR 15FT


Connector Description	Connector Termination	Plate Sectors Used
D-Sub 15-pin female with 15-pin terminal	15-pin terminal	1

Left-hand image shows front view. Right-hand image shows rear view.

INTERSAFE CONNECTOR 15H


Connector Description	Connector Termination	Plate Sectors Used
D-Sub 15-pin high density female (Monitor)	10 ft cable to male 15-pin high-density D-Sub	1

Left-hand image shows front view. Right-hand image shows rear view.

INTERSAFE CONNECTOR 15M


Connector Description	Connector Termination	Plate Sectors Used
D-Sub 15-pin male	10-ft. cable to female 15-pin D-Sub	1

Left-hand image shows front view. Right-hand image shows rear view.

INTERSAFE CONNECTOR 25F


Connector Description	Connector Termination	Plate Sectors Use
D-Sub 25-pin female with cable	10 ft. cable to male 25-pin D-Sub	1

Left-hand image shows front view. Right-hand image shows rear view.

INTERSAFE CONNECTOR 25FT


Connector Description	Connector Termination	Plate Sectors Used
D-Sub 25-pin female with 25-pin terminal	25-pin terminal	2

Left-hand image shows front view. Right-hand image shows rear view.

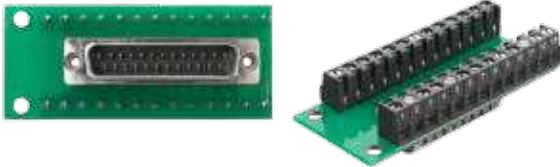
INTERSAFE CONNECTOR 25M



Connector Description	Connector Termination	Plate Sectors Used
D-Sub 25-pin male with cable	10-ft. cable to female 25-pin D-Sub	1

Left-hand image shows front view. Right-hand image shows rear view.

INTERSAFE CONNECTOR 25MT



Connector Description	Connector Termination	Plate Sectors Used
D-Sub 25-pin male	25-pin terminal	2

Left-hand image shows front view. Right-hand image shows rear view.

INTERSAFE CONNECTOR BNC



Connector Description	Connector Termination	Plate Sectors Used
BNC	BNC female receptacle with 10-ft. cable to male BNC	1

Left-hand image shows front view. Right-hand image shows rear view.

INTERSAFE CONNECTOR CN



Connector Description	Connector Termination	Plate Sectors Used
ControlNet shielded RJ45 female connector	10-ft. shielded cable with male RJ45	2

Left-hand image shows front view. Right-hand image shows rear view.

INTERSAFE CONNECTOR DH



Connector Description	Connector Termination	Plate Sectors Used
Data Highway Plus DB9F	Terminal block	2

Left-hand image shows front view. Right-hand image shows rear view.

INTERSAFE CONNECTOR DNM



Connector Description	Connector Termination	Plate Sectors Used
DeviceNet Mini	Terminal block	2

Left-hand image shows front view. Right-hand image shows rear view.

INTERSAFE CONNECTOR DNP



Connector Description	Connector Termination
DeviceNet Phoenix	Terminal block

Left-hand image shows front view. Right-hand image shows rear view.

INTERSAFE CONNECTOR DPO



Connector Description	Connector Termination	Plate Sectors Used
Duplex receptacle with no circuit breaker	Terminal block	4

Left-hand image shows front view. Right-hand image shows rear view.

INTERSAFE CONNECTOR DP3



Connector Description	Connector Termination	Plate Sectors Used
Duplex receptacle with 3-amp circuit breaker	Terminal block	5

Left-hand image shows front view. Right-hand image shows rear view.

INTERSAFE CONNECTOR DP5



Connector Description	Connector Termination	Plate Sectors Used
Duplex receptacle with 5-amp circuit breaker	Terminal block	5

Left-hand image shows front view. Right-hand image shows rear view.

INTERSAFE CONNECTOR ETH



Connector Description	Connector Termination	Plate Sectors Used
RJ45 female connector	10-ft. cable with male RJ45	1

Left-hand image shows front view. Right-hand image shows rear view.

INTERSAFE CONNECTOR GEG



Connector Description	Connector Termination	Plate Sectors Used
DB9 GE Genius	10-ft. cable	1

Left-hand image shows front view. Right-hand image shows rear view.

INTERSAFE CONNECTOR GFO



Connector Description	Connector Termination
GFCI receptacle	Terminal block

Left-hand image shows front view. Right-hand image shows rear view.

INTERSAFE CONNECTOR GF3



Connector Description	Connector Termination	Plate Sectors Used
GFCI receptacle with 3-amp circuit breaker	Terminal block	5

Left-hand image shows front view. Right-hand image shows rear view.

INTERSAFE CONNECTOR GF5



Connector Description	Connector Termination	Plate Sectors Used
GFCI receptacle with 5-amp circuit breaker	Terminal block	5

Left-hand image shows front view. Right-hand image shows rear view.

INTERSAFE CONNECTOR MCL



Connector Description	Connector Termination	Plate Sectors Used
Micrologix	10-ft. cable	1

Left-hand image shows front view. Right-hand image shows rear view.

INTERSAFE CONNECTOR MD6



Connector Description	Connector Termination
6-pin mini DIN (female)	10-ft. cable with female 6-pin mini DIN

Left-hand image shows front view. Right-hand image shows rear view.

INTERSAFE CONNECTOR MD8



Connector Description	Connector Termination	Plate Sectors Used
8-pin mini DIN (female)	10-ft. cable with male 8-pin mini DIN	1

Left-hand image shows front view. Right-hand image shows rear view.

INTERSAFE CONNECTOR PB



Connector Description	Connector Termination	Plate Sectors Used
Profibus 9-pin	Terminal	2

Left-hand image shows front view. Right-hand image shows rear view.

INTERSAFE CONNECTOR R11



Connector Description	Connector Termination	Plate Sectors Used
RJ11 female connector with male RJ12	10-ft. cable with male RJ12	1

Left-hand image shows front view. Right-hand image shows rear view.

INTERSAFE CONNECTOR RJ5



Connector Description	Connector Termination	Plate Sectors Used
RJ45 shielded female connector	10-ft. shielded cable with male RJ45	2

Left-hand image shows front view. Right-hand image shows rear view.

INTERSAFE CONNECTOR SNP



Connector Description	Connector Termination	Plate Sectors Used
DB15F GESNP	DB15 male GESNP with 10-ft. cable	1

Left-hand image shows front view. Right-hand image shows rear view.

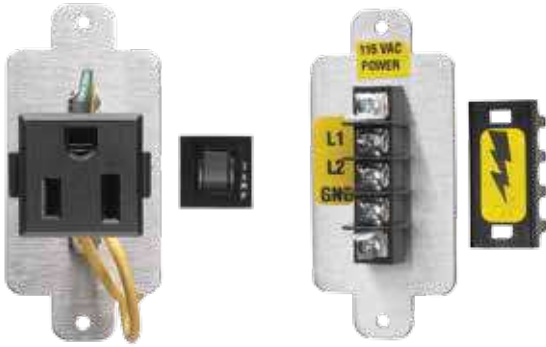
INTERSAFE CONNECTOR SPO



Connector Description	Connector Termination	Plate Sectors Used
Single receptacle with no circuit breaker	Terminal block with terminal cover	2

Left-hand image shows front view. Right-hand image shows rear view.

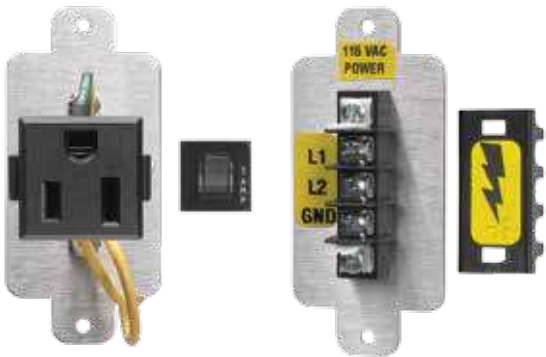
INTERSAFE CONNECTOR SP3



Connector Description	Connector Termination	Plate Sectors Used
Single receptacle with 3-amp circuit breaker	Terminal block with terminal cover	2

Left-hand image shows front view. Right-hand image shows rear view.

INTERSAFE CONNECTOR SP5



Connector Description	Connector Termination	Plate Sectors Used
Single receptacle with 5-amp circuit breaker	Terminal block with terminal cover	2

Left-hand image shows front view. Right-hand image shows rear view.

INTERSAFE CONNECTOR TMB



Connector Description	Connector Termination	Plate Sectors Used
DB9F Modbus	10-ft. cable	1

Left-hand image shows front view. Right-hand image shows rear view.

INTERSAFE CONNECTOR TMM



Connector Description	Connector Termination	Plate Sectors Used
DB9F Micro	10-ft. cable	1

Left-hand image shows front view. Right-hand image shows rear view.

INTERSAFE CONNECTOR USB



Connector Description	Connector Termination	Plate Sectors Used
USB Type A, female input	10-ft. cable, USB Type B connector	1

Left-hand image shows front view. Right-hand image shows rear view.

Notes