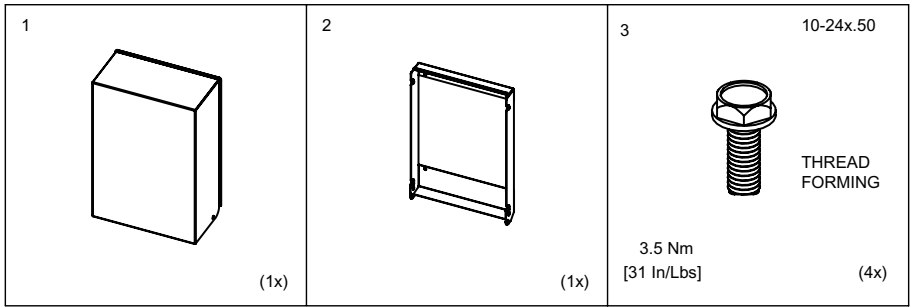
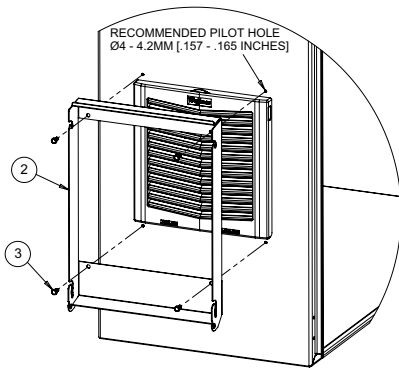


Filter Fan Shroud
HH Model, Type 4, 4X

INSTRUCTION MANUAL

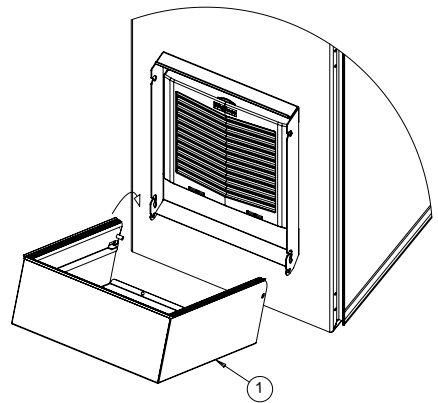


When the filter fan shroud is properly installed, it maintains UL/cUL Type 4/4X when used to cover HF/HG rated Type 12 and TFP/TEP rated Type 12 series filter fan kits. Type 4/4X shroud cover must remain on to maintain 4/4X rating. To change the filter media, refer to the filter fan instruction manual.

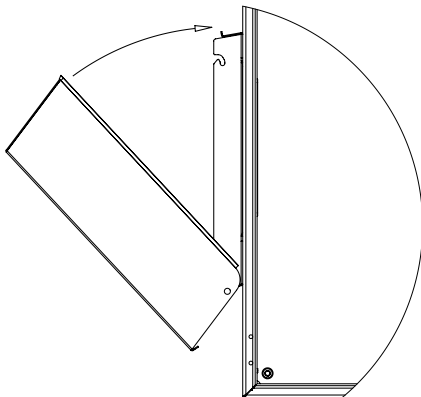


FILTER FAN SOLD SEPARATELY

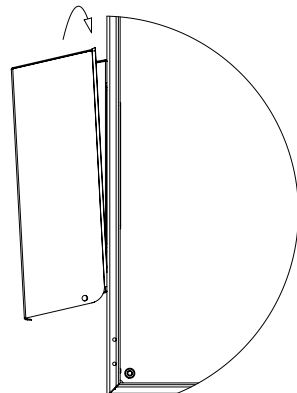
1



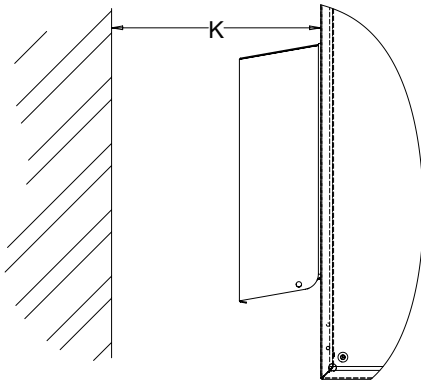
2



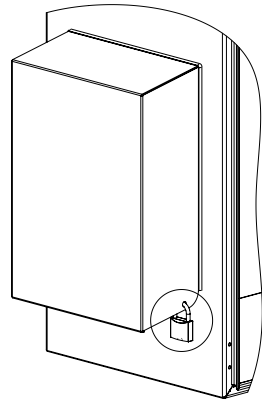
3



4



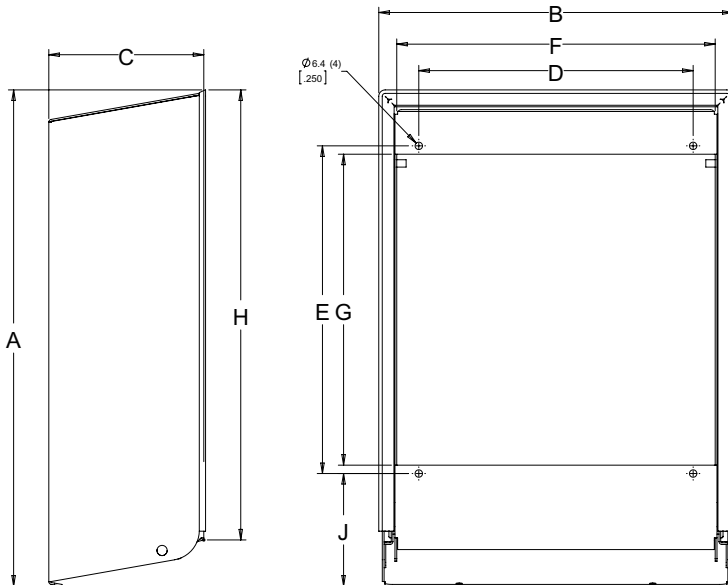
WALL CLEARANCE



OPTIONAL LOCKING

Catalog Number	A	B	C	D	E	F	G	H	J	K
HH05	313.1 [12.33]	195.1 [7.68]	86.9 [3.42]	127.0 [5.00]	177.8 [7.00]	170.4 [6.71]	160.8 [6.33]	281.6 [11.09]	88.3 [3.48]	256.0 [10.1]
HH09	370.4 [14.58]	247.1 [9.73]	116.6 [4.59]	184.9 [7.28]	228.6 [9.00]	222.5 [8.76]	216.1 [8.51]	333.7 [13.14]	94.2 [3.71]	310.0 [12.2]
HH10	423.1 [16.66]	302.2 [11.90]	132.1 [5.20]	233.9 [9.21]	279.4 [11.00]	271.5 [10.69]	265.1 [10.44]	383.7 [15.11]	96.0 [3.78]	352.0 [13.9]
HH13	495.3 [19.50]	364.2 [14.34]	154.2 [6.07]	302.0 [11.89]	355.6 [14.00]	339.6 [13.37]	340.4 [13.40]	179.7 [7.07]	96.9 [3.81]	418.0 [16.5]

mm [inch]



COMPONENT LIST

Model	Part Number	Part Description
ALL HH05 MODELS	HH05RGKSP	5IN 4/4X SHROUD REPL GASKET
ALL HH09 MODELS	HH09RGKSP	9IN 4/4X SHROUD REPL GASKET
ALL HH10 MODELS	HH10RGKSP	10IN 4/4X SHROUD REPL GASKET
ALL HH13 MODELS	HH13RGKSP	13IN 4/4X SHROUD REPL GASKET
ALL HH05 MODELS	HH05PS003	5IN 4/4X SHROUD PEST SCREEN
ALL HH09 MODELS	HH09PS003	9IN 4/4X SHROUD PEST SCREEN
ALL HH10 MODELS	HH10PS004	10IN 4/4X SHROUD PEST SCREEN
ALL HH13 MODELS	HH13PS004	13IN 4/4X SHROUD PEST SCREEN

Disclaimer

For general ventilating use only - not suitable in all applications or environments. Do not use these fans to exhaust hazardous or explosive material and vapors. Spraying water directly up the bottom of the shroud will incur water ingress. To protect sensitive components against condensation, an enclosure heater or closed-loop cooling is recommended. To protect sensitive components against corrosive elements, closed-loop cooling is recommended. UL rating contingent on proper use of nVent HOFFMAN Type 12 filter fans with filter media.

WARRANTY

<https://hoffman.nvent.com/en/hoffman/warranty-information>

nVent
2100 Hoffman Way
Anoka, MN 55303 USA
☎ +1.763.422.2211
📠 +1.763.576.3200

nVent.com