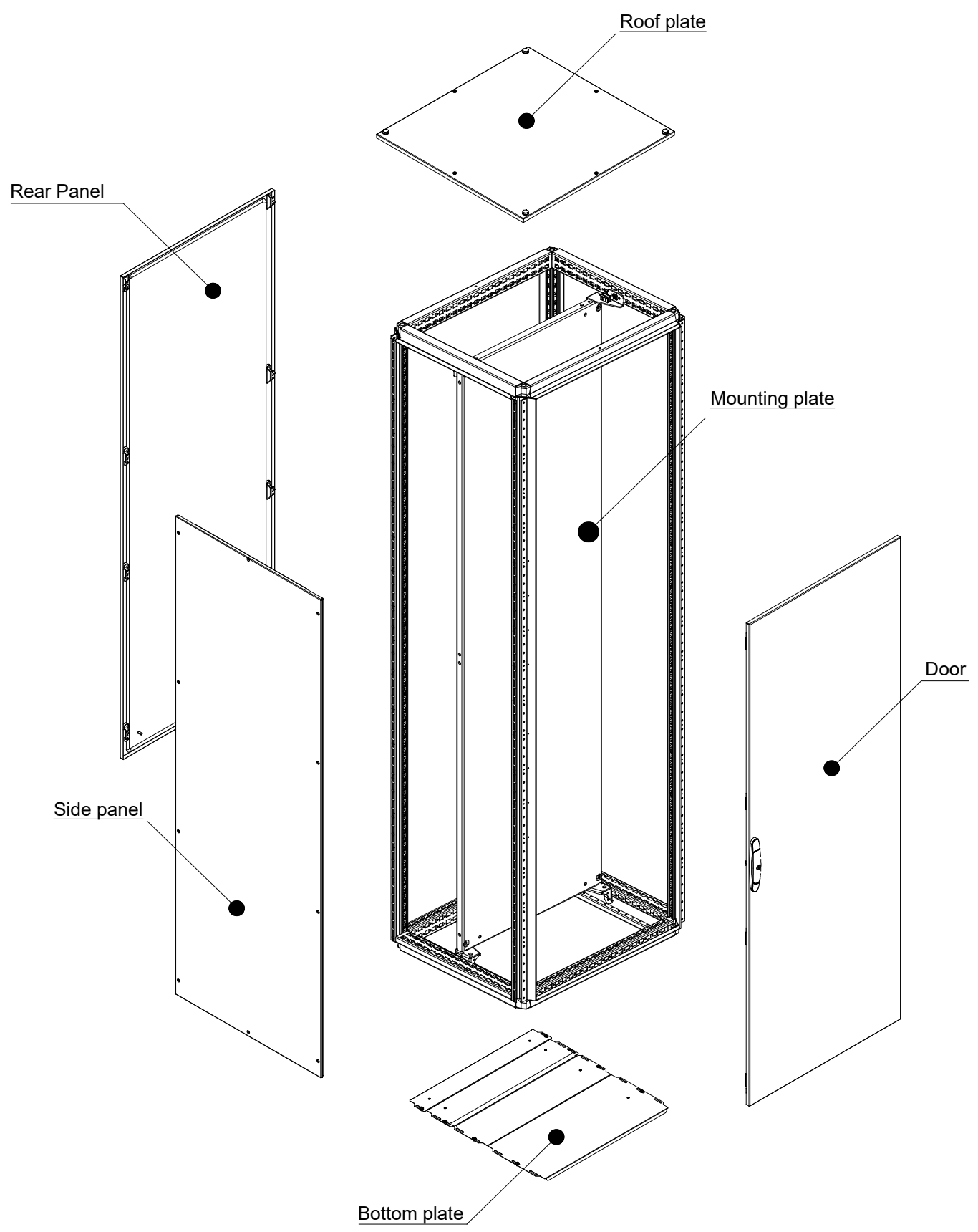


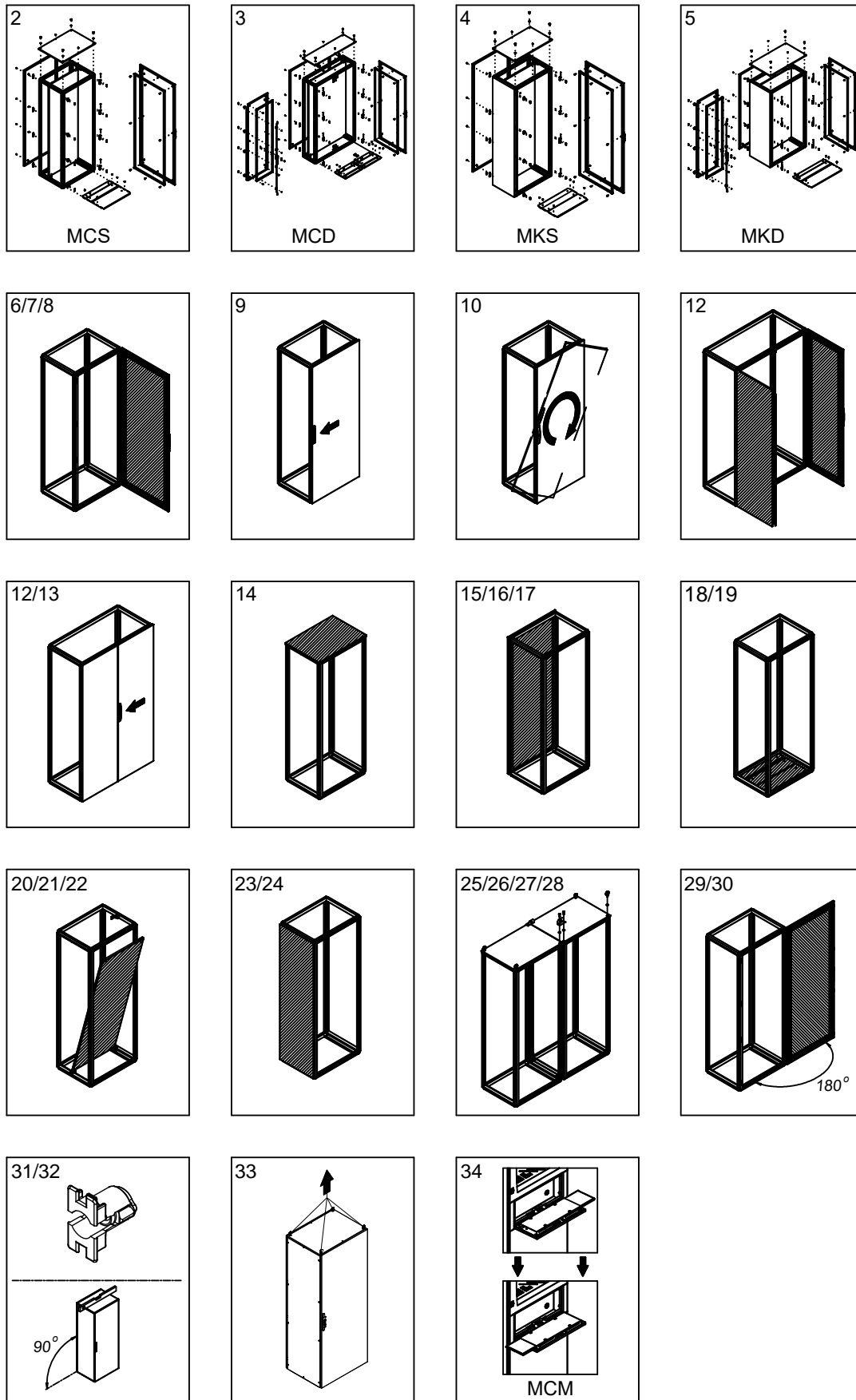
Floor standing enclosures Combinable and compact version

MOUNTING INSTRUCTIONS

7697-0262-01 REV.21



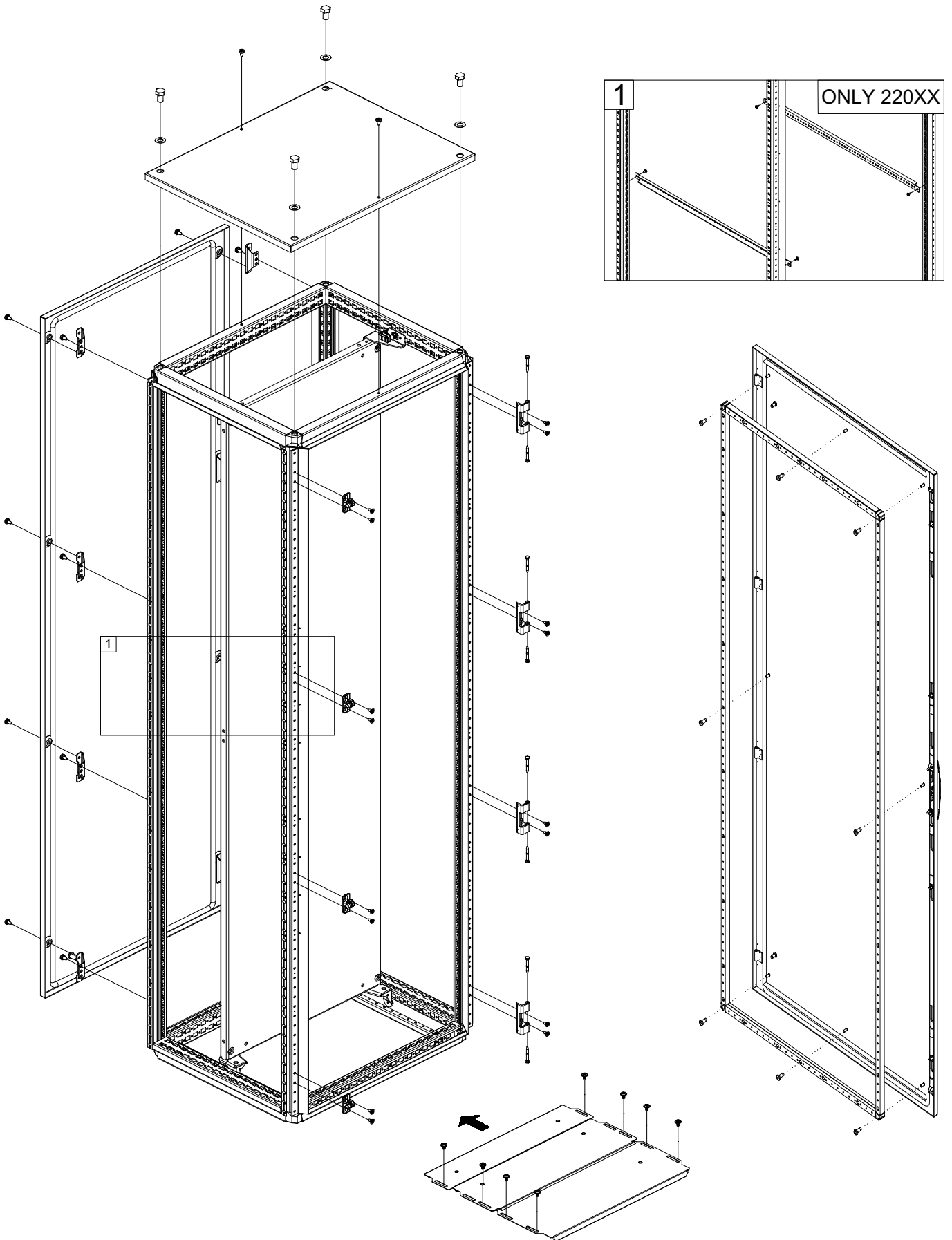




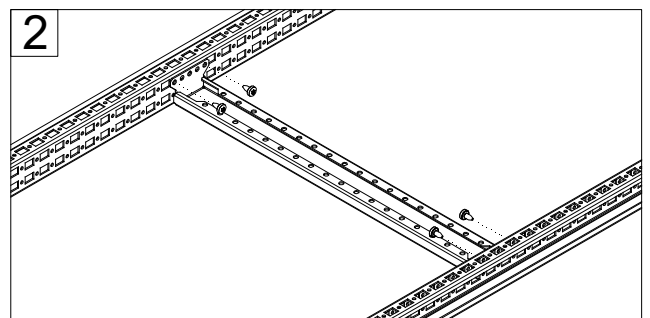
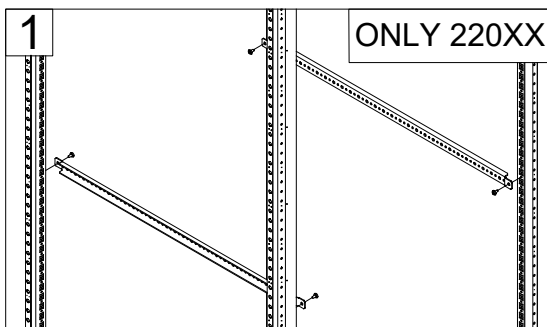
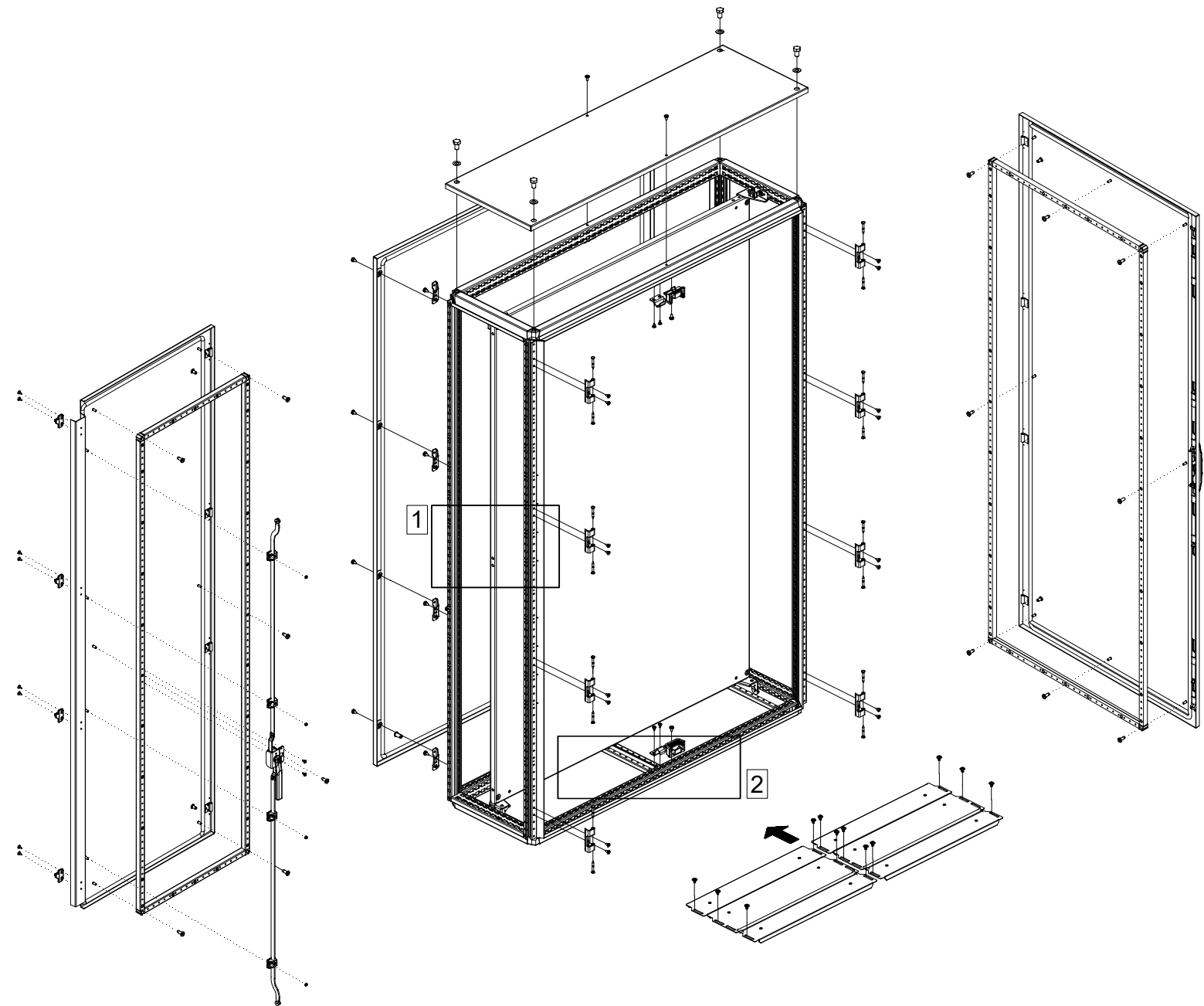
WARNING: When mounting on or over a combustible surface, a floor plate of at least 1.43 mm galvanized or 1.6 mm uncoated steel extended at least 150 mm beyond the equipment on all sides must be installed.

WARNING: In order to maintain the environmental integrity of the enclosure, devices with the same environmental ratings shall be used to close openings in customized enclosure.

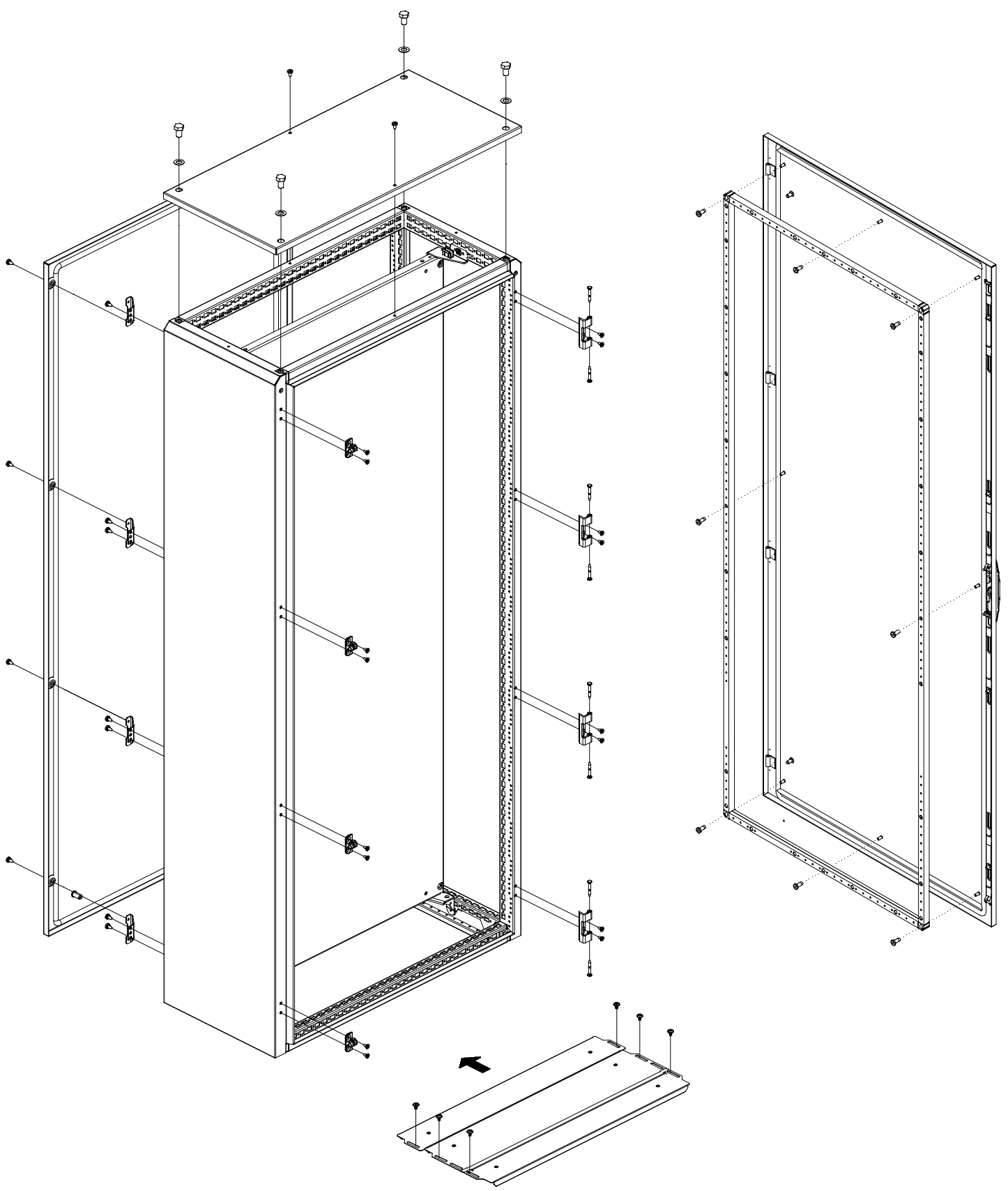
MCS



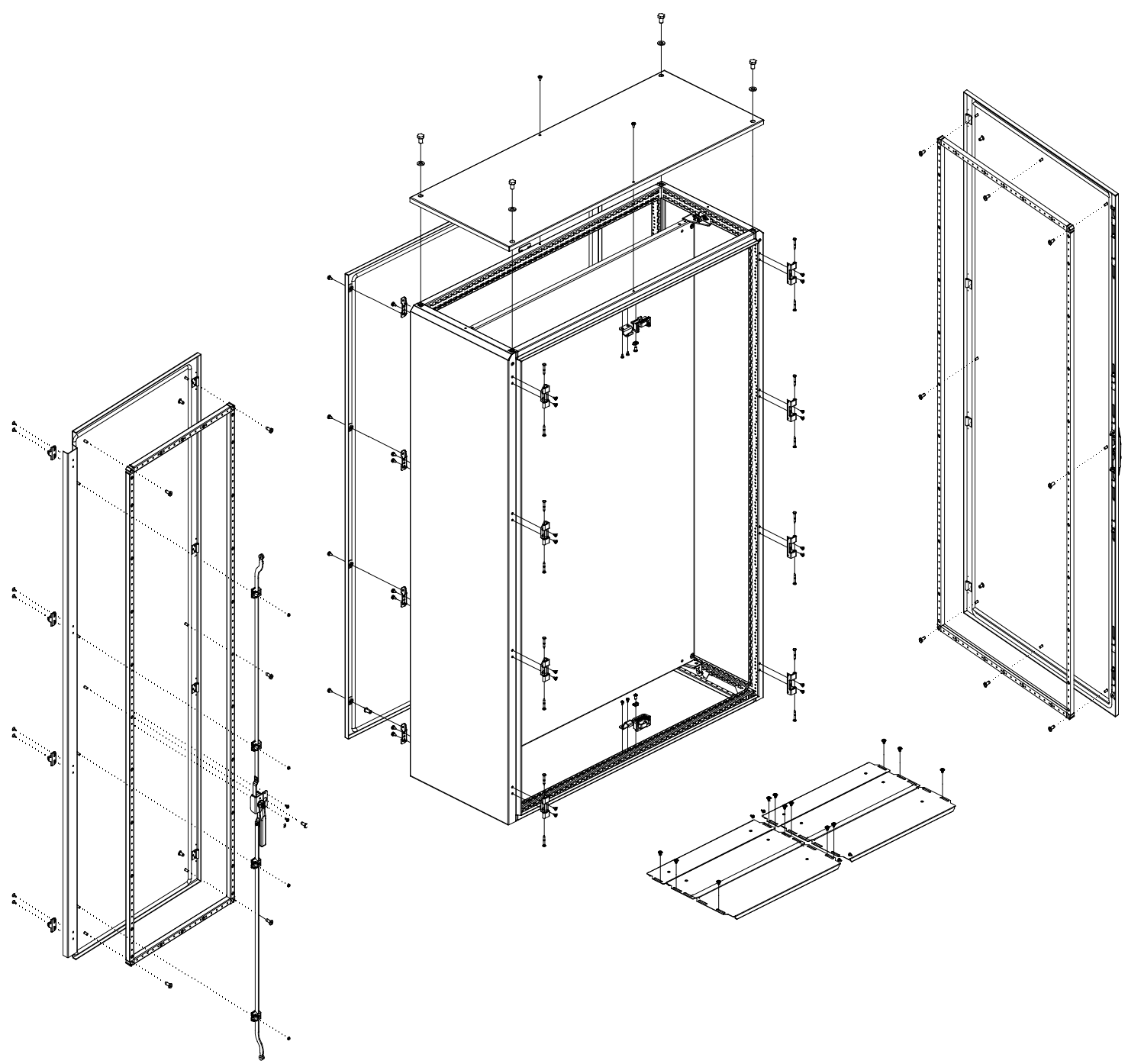
MCD

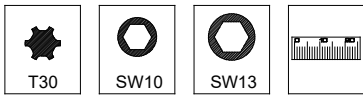


MKS



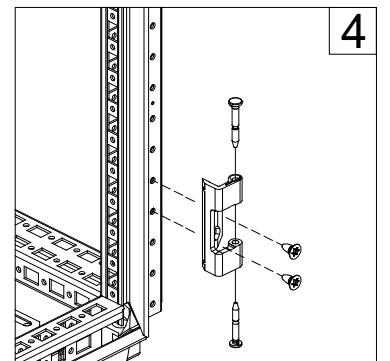
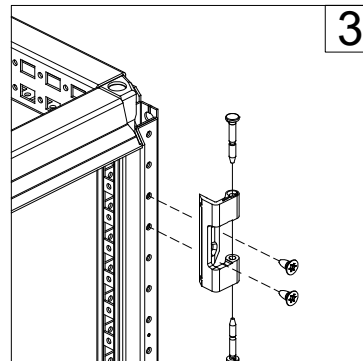
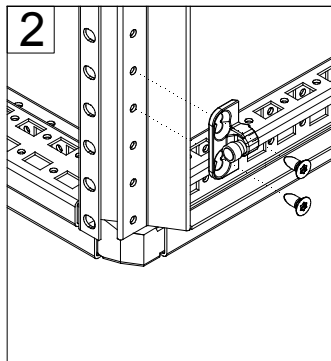
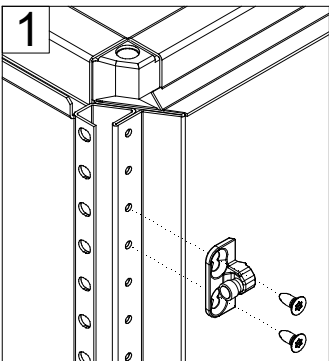
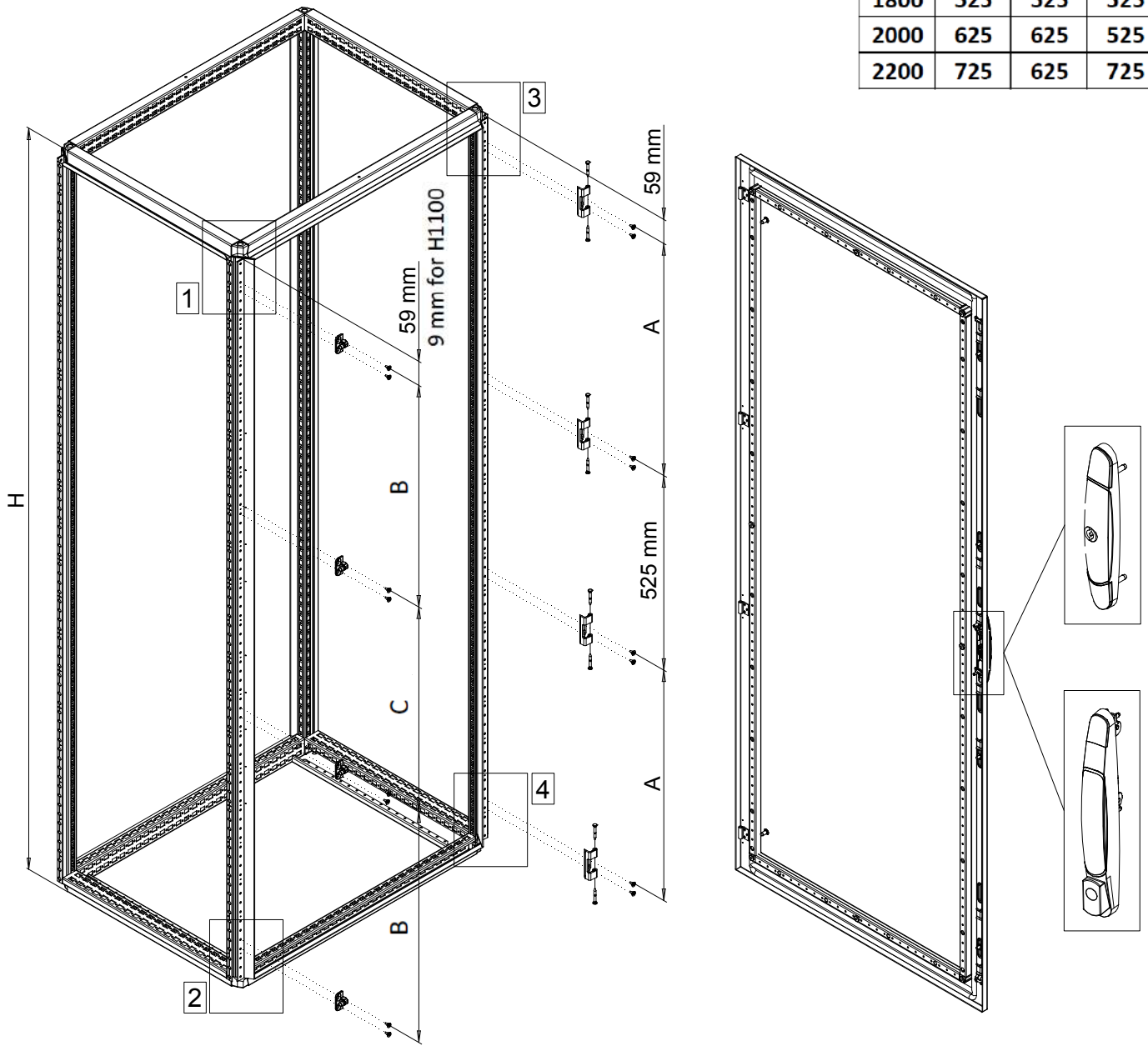
MKD





COMBINABLE ENCLOSURE

H	A	B	C
1100	175	275	425
1400	325	325	525
1600	425	425	525
1800	525	525	525
2000	625	625	525
2200	725	625	725



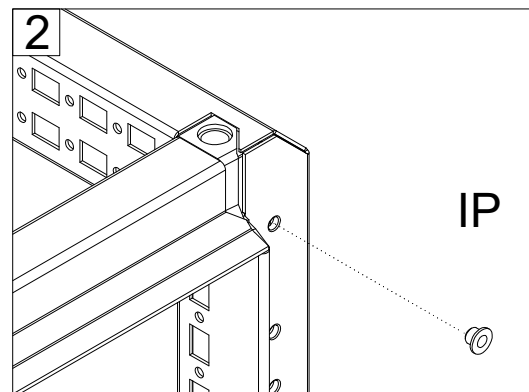
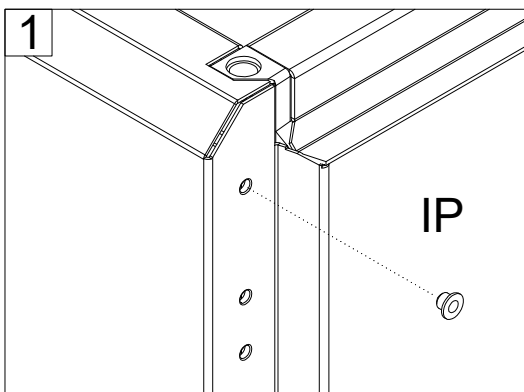
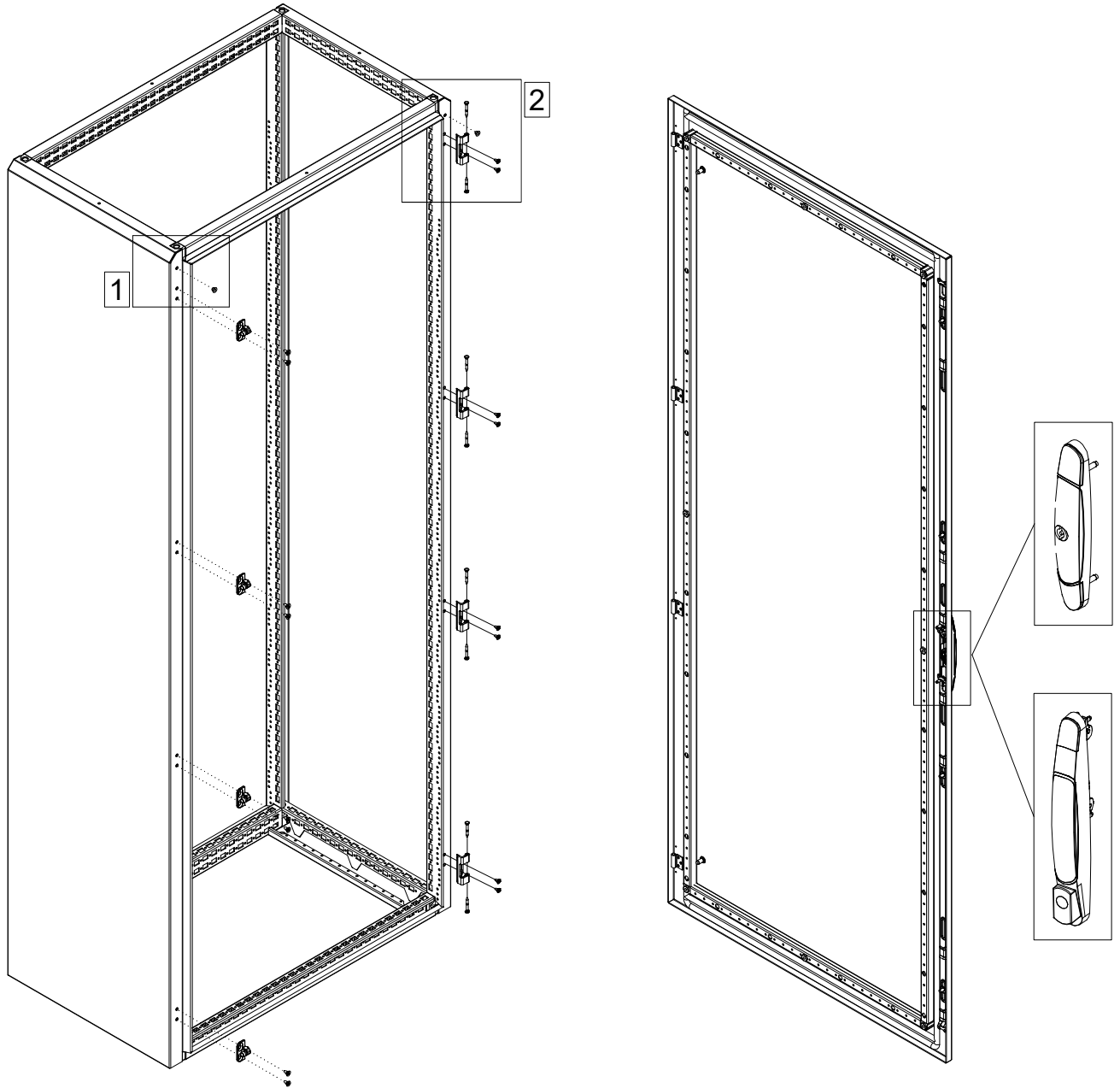


T30



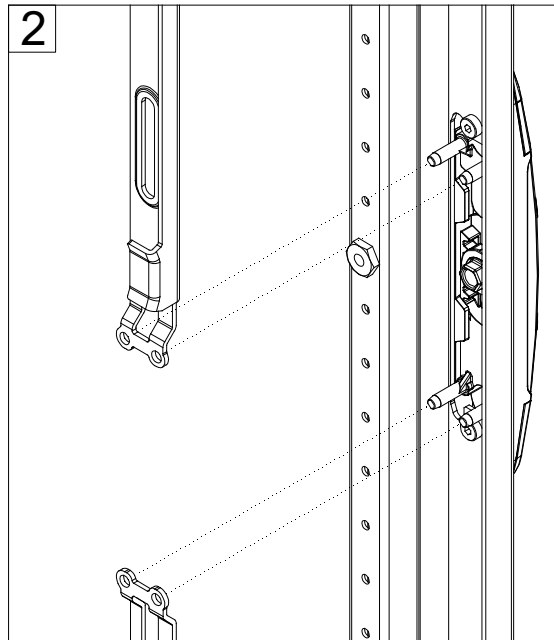
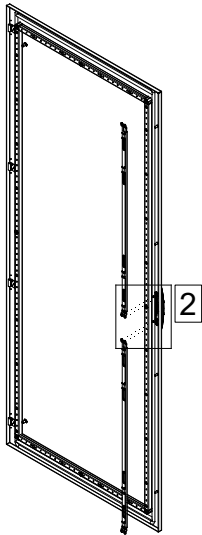
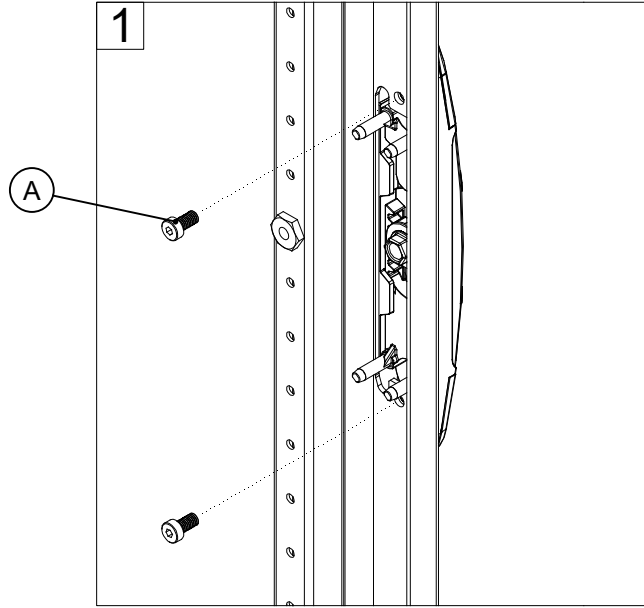
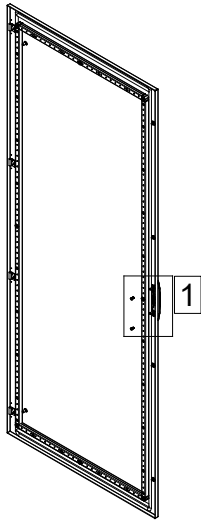
SW13

COMPACT ENCLOSURE

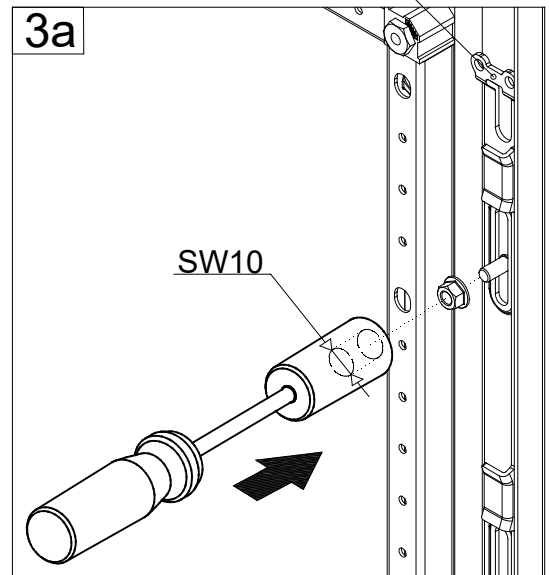
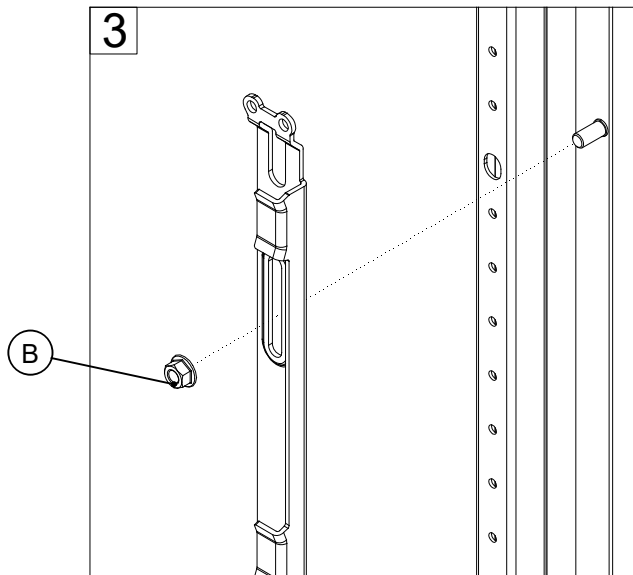
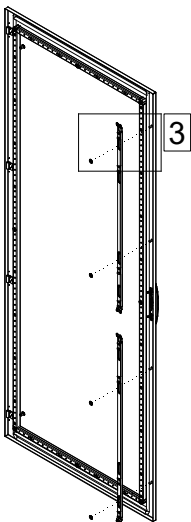




Ref.	Pic.	Qty.
A	M5x10	2
B	M5	4

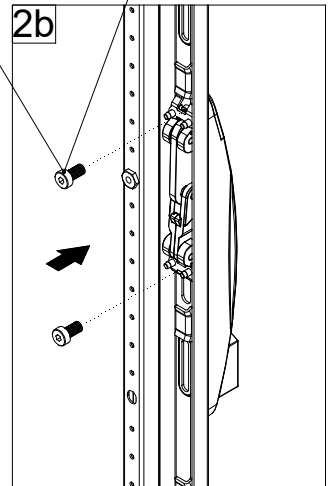
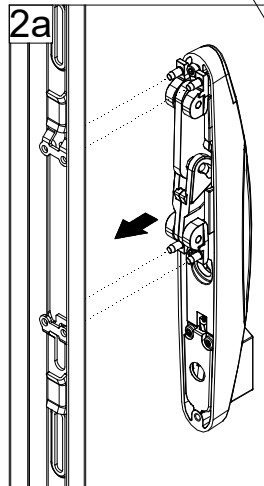
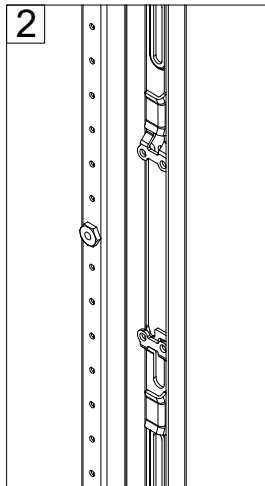
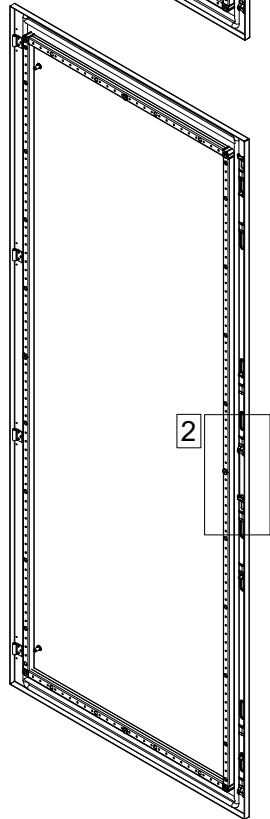
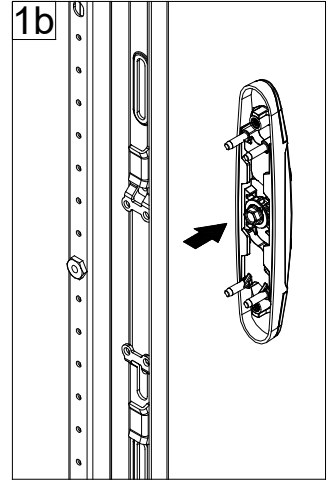
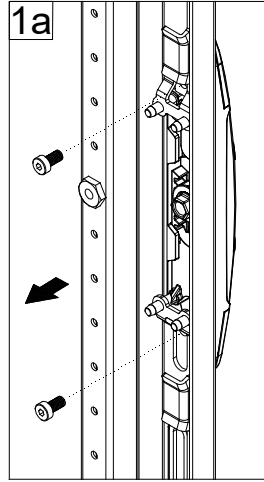
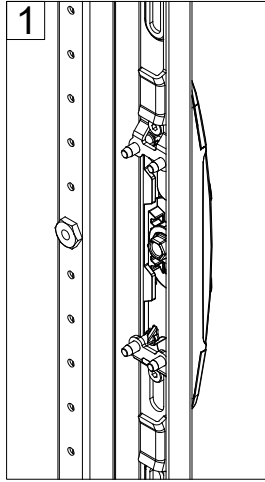
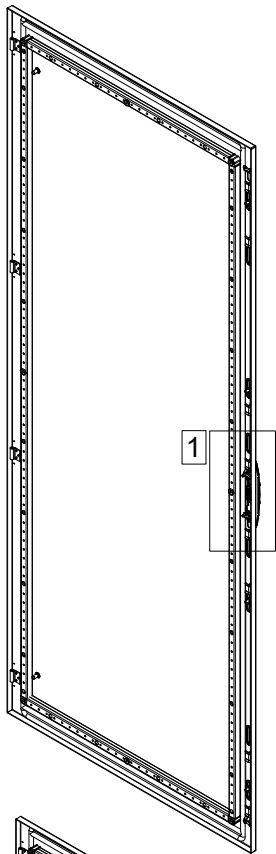


Metal Guider





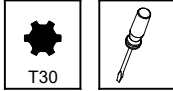
MOUNTING THE LIFT HANDLE



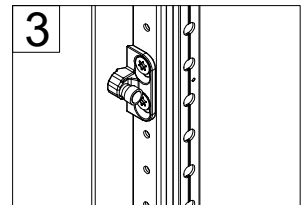
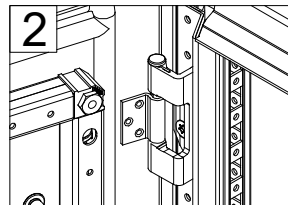
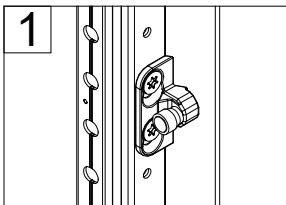
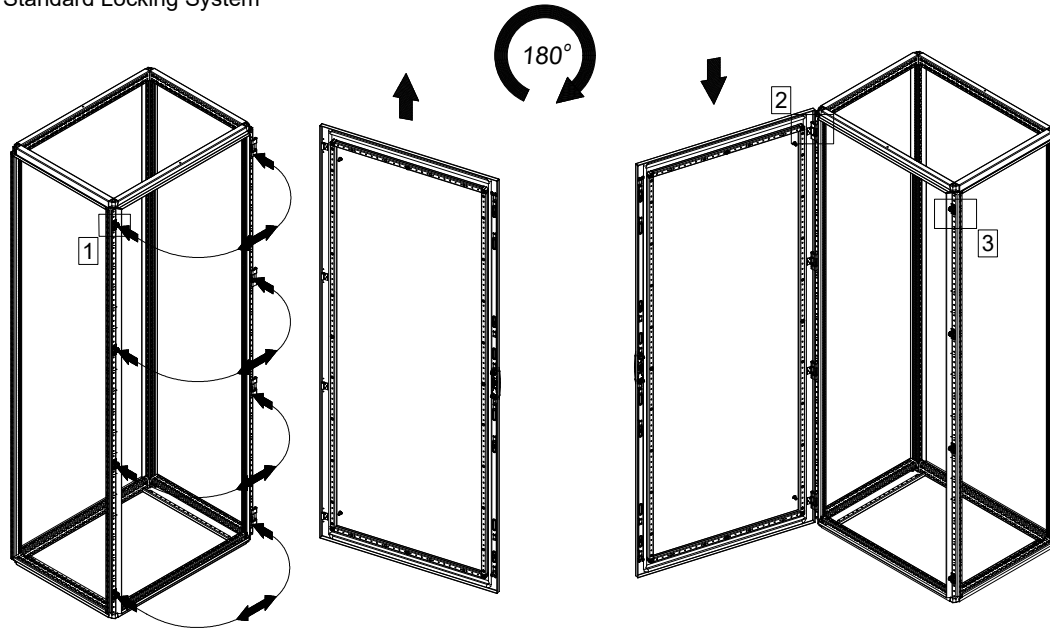
Torque
4-5.5 Nm

A

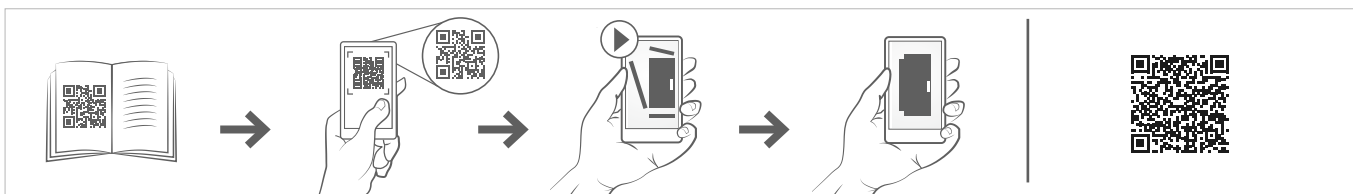
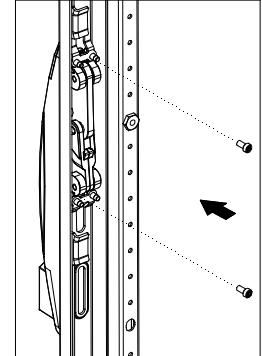
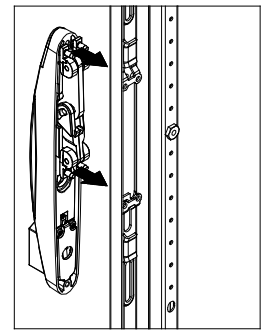
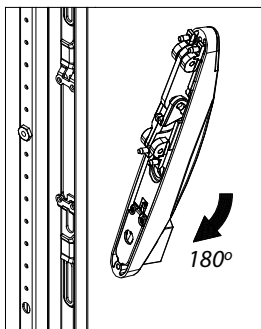
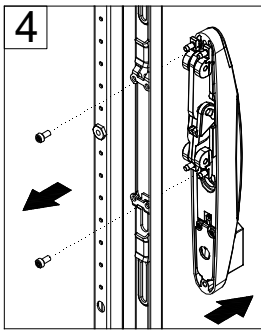
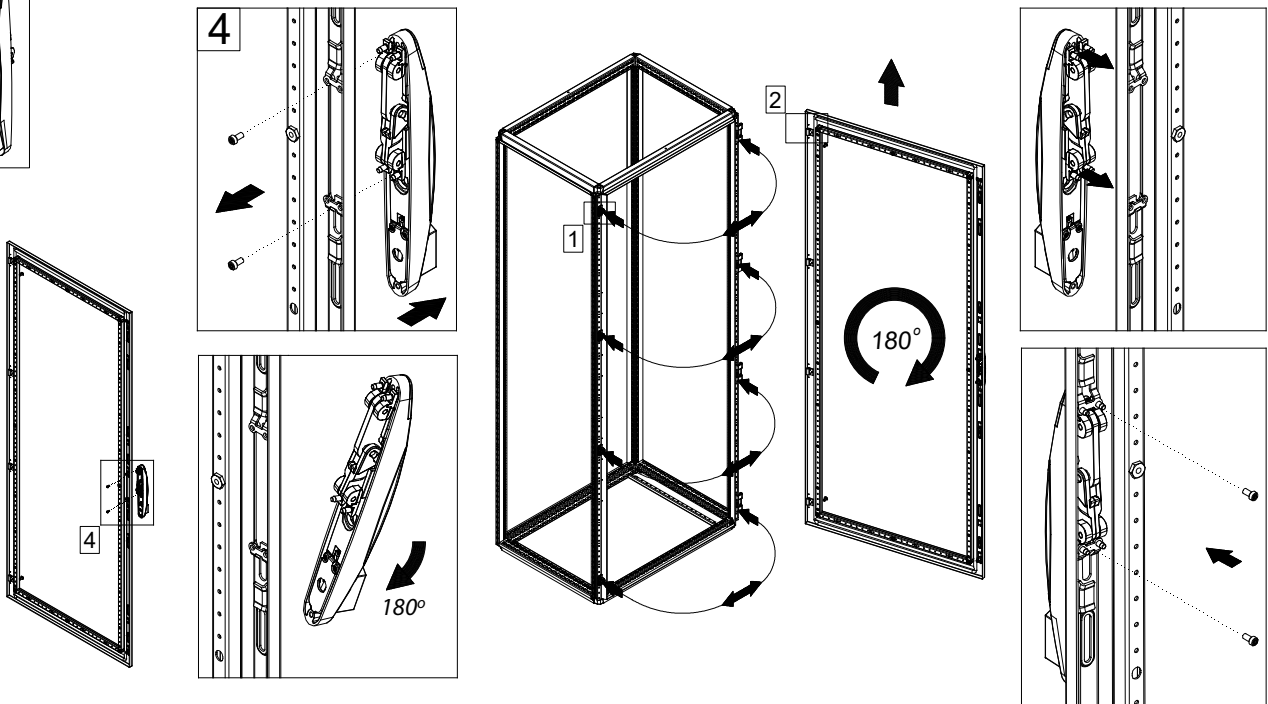
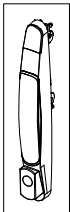




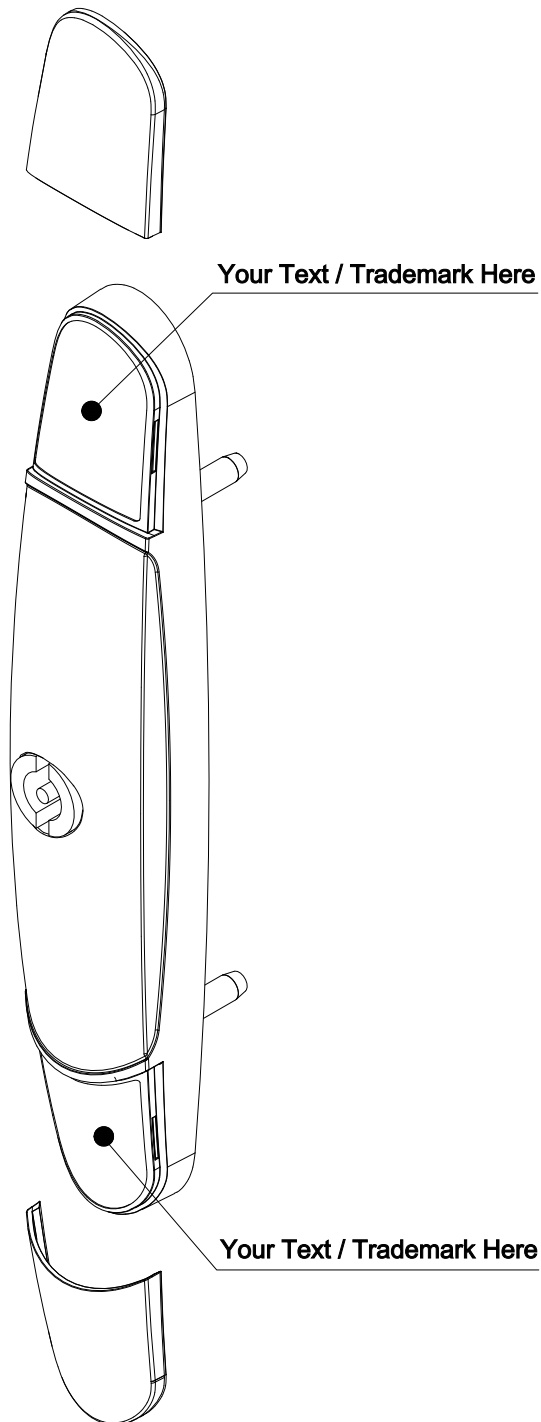
Standard Locking System



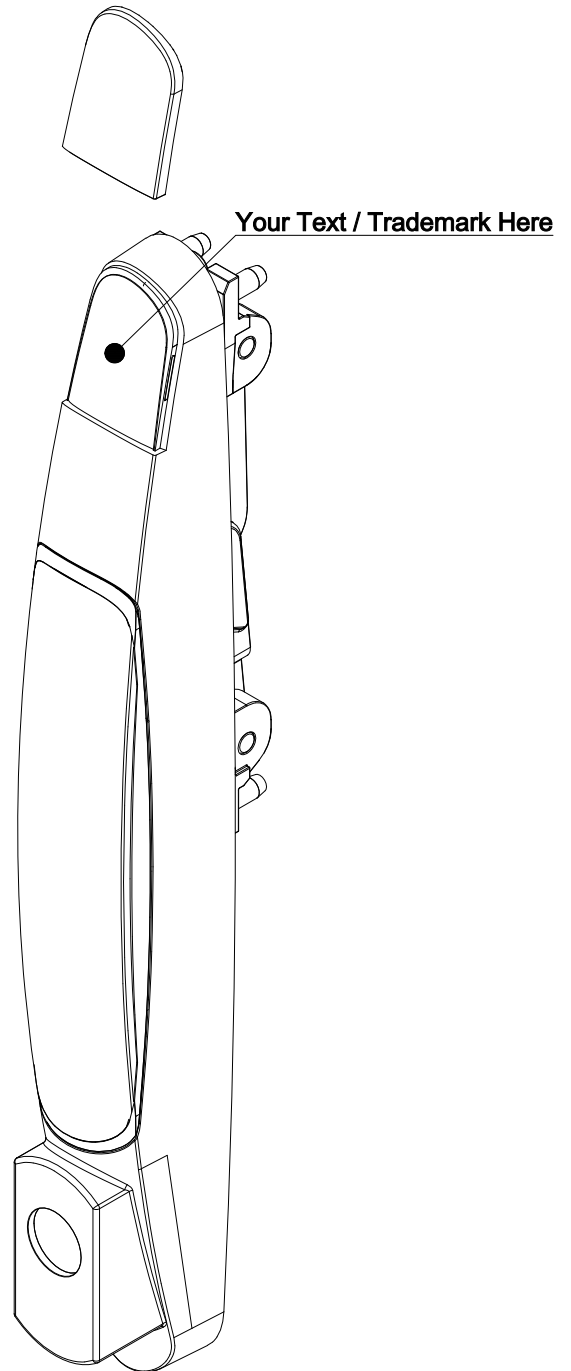
Lift Handle Locking System



Standard Locking System



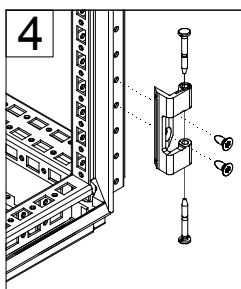
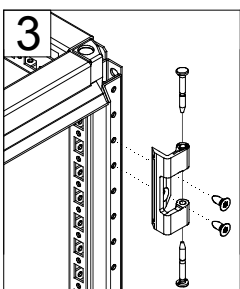
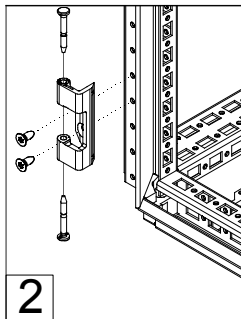
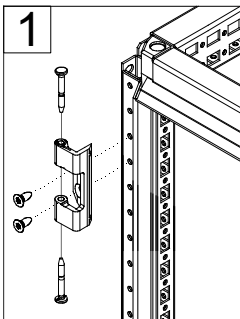
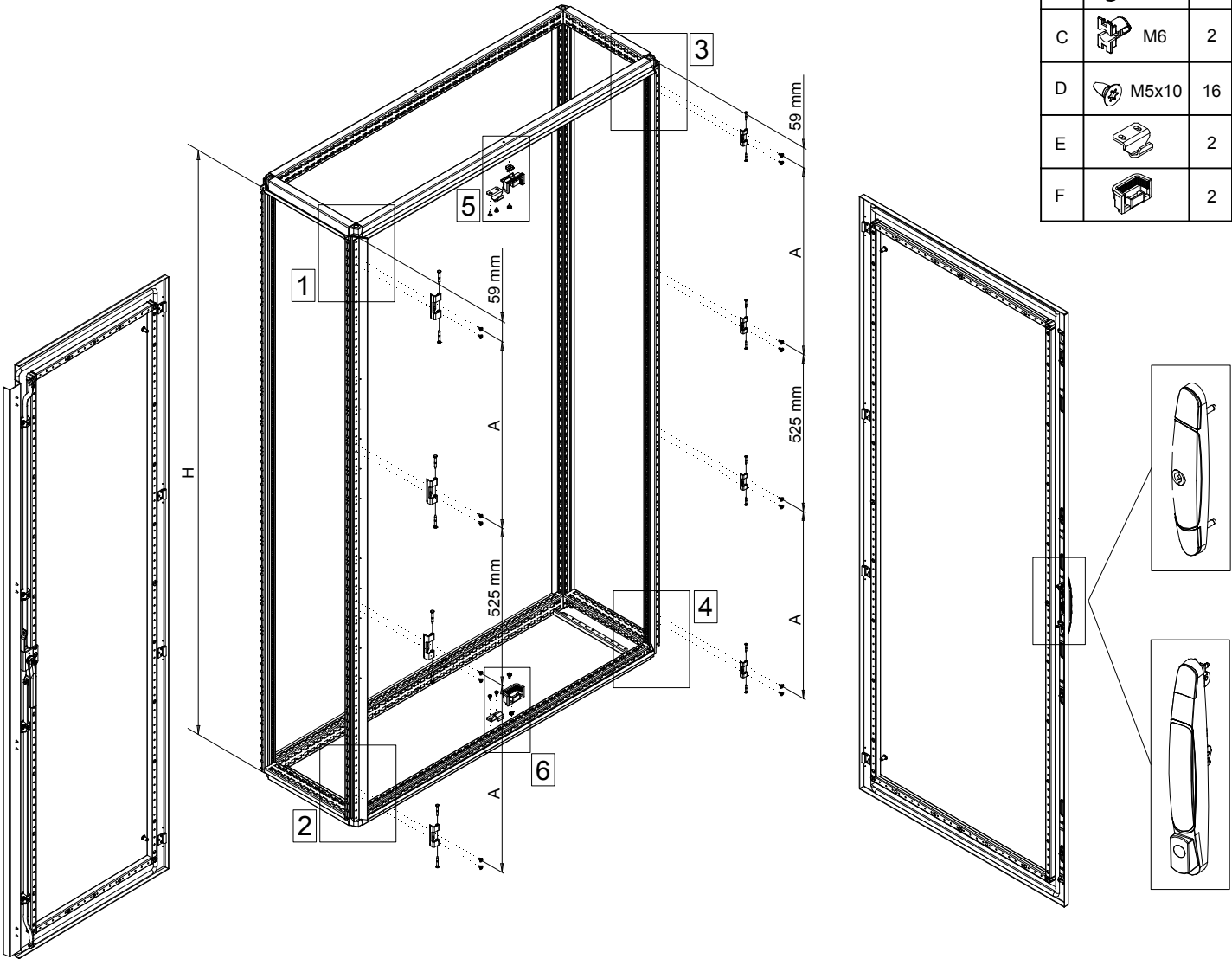
Lift Handle Locking System



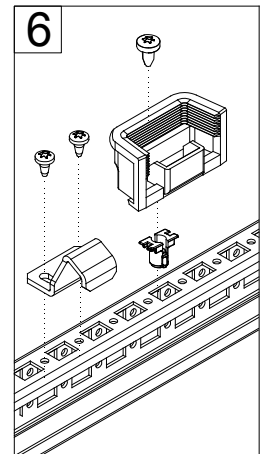
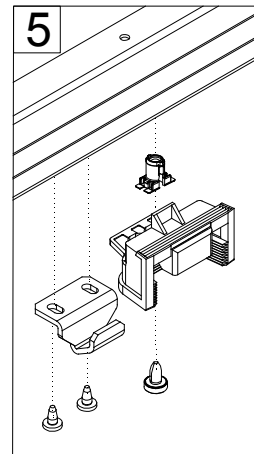
NOTE: transparent covers are ordered separately



Ref.	Pic.	
A		8
B		2
C		2
D		16
E		2
F		2



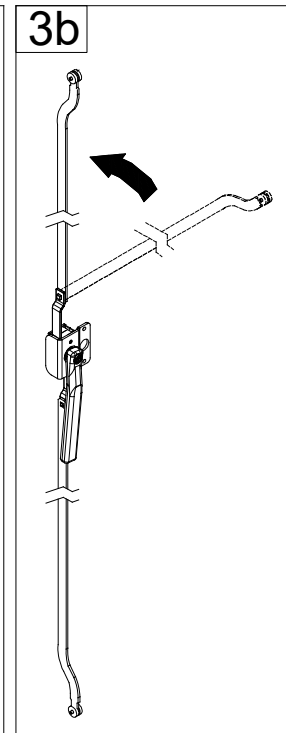
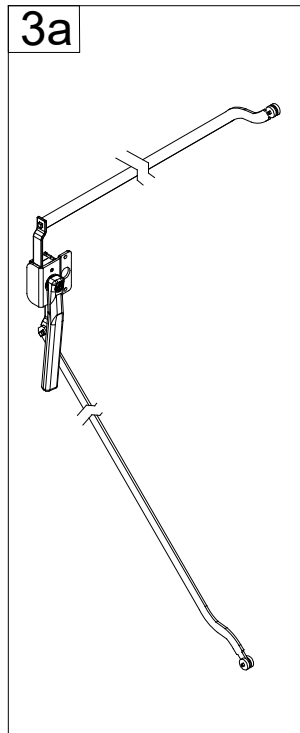
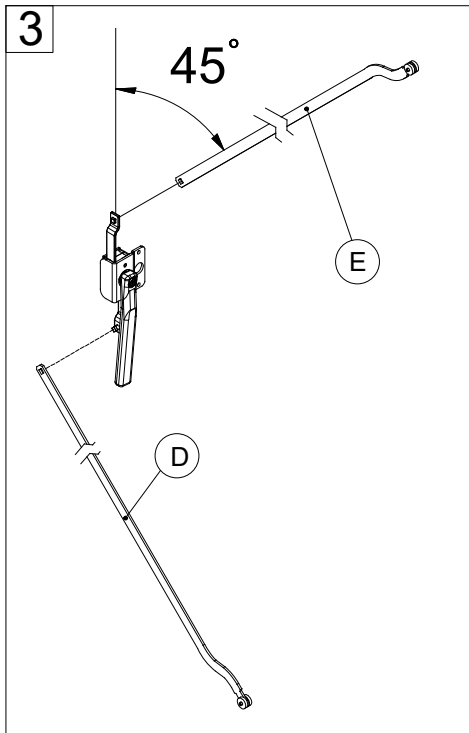
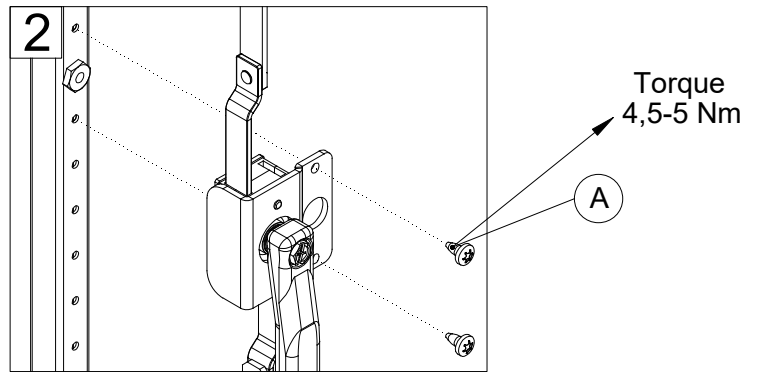
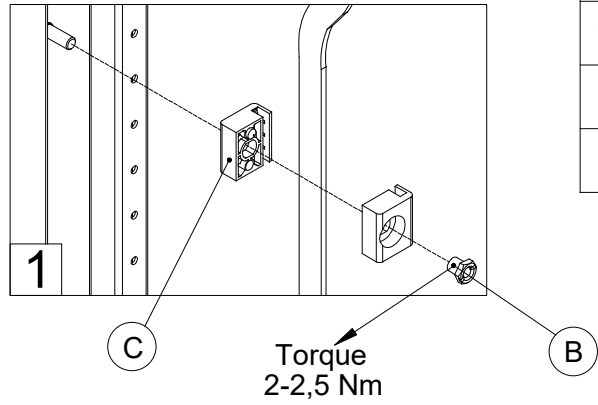
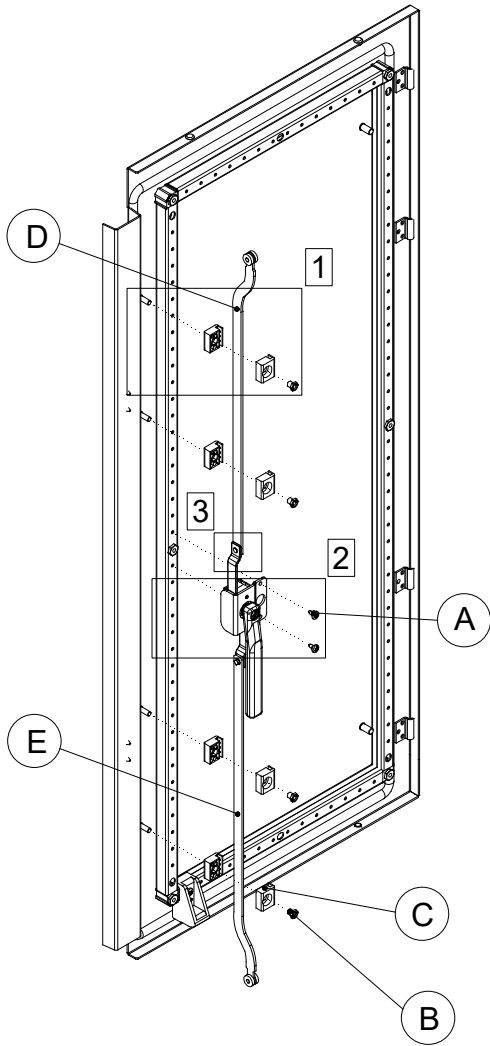
H	A
1100	175
1400	325
1600	425
1800	525
2000	625
2200	725





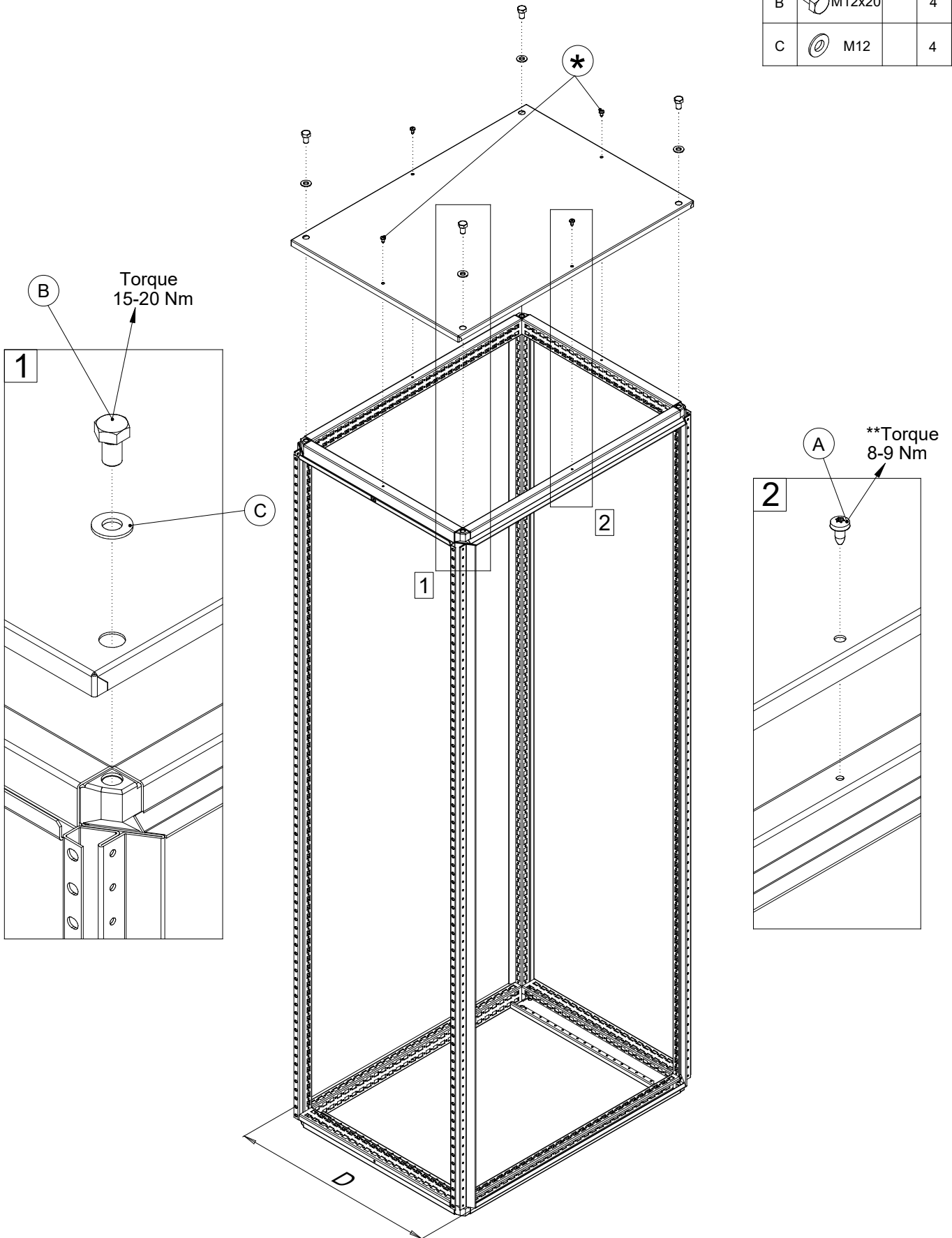
MOUNTING LSEL

Ref.	Pic.	Qty.
A		6
B		4
C		8
D		1
E		1





Ref.	Pic.	D (mm)	<800	≥800
A	M6x12		2	4
B	M12x20		4	4
C	M12		4	4



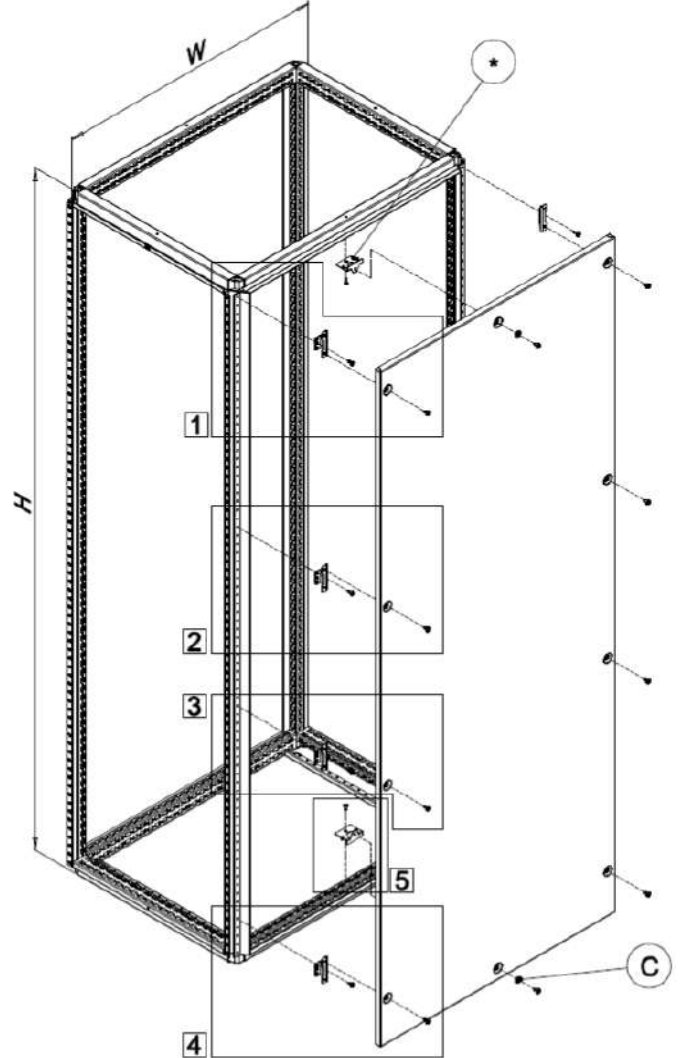
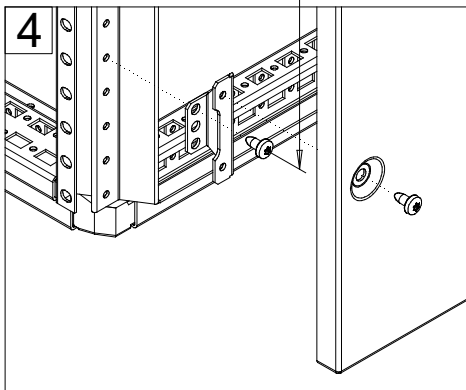
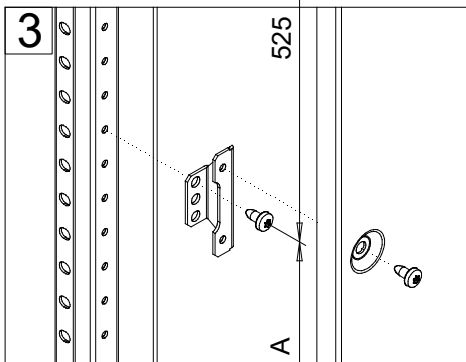
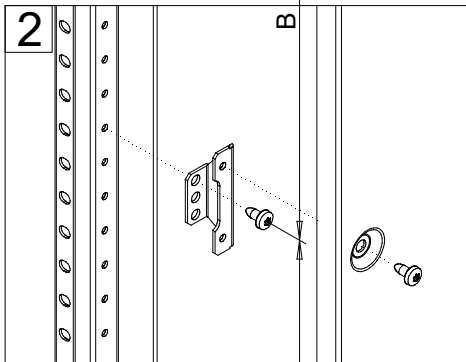
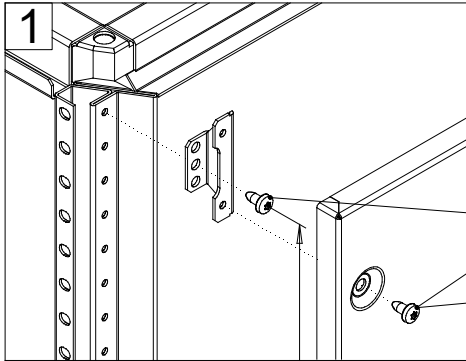
* - Used on enclosures 800mm deep and above.

** - Torque value for first tightening. For following tightening, torque value recommended is 4-5 Nm.

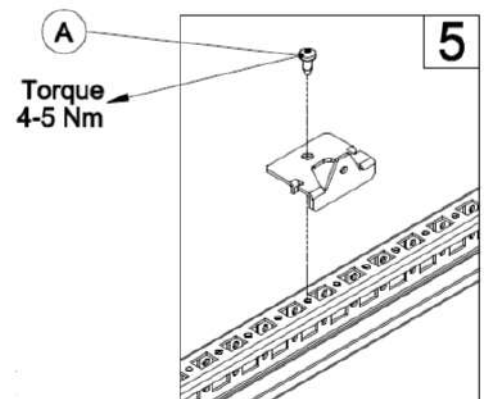
MCS BACK PANEL



Ref.	Pic.	W (mm)	<1000	≥1000
A		M5x10	-	2
B		M6x12	16	18
C		M6	-	2



H	A	B
1100	-	350
1400	325	375
1600	425	475
1800	525	575
2000	625	675
2200	725	775

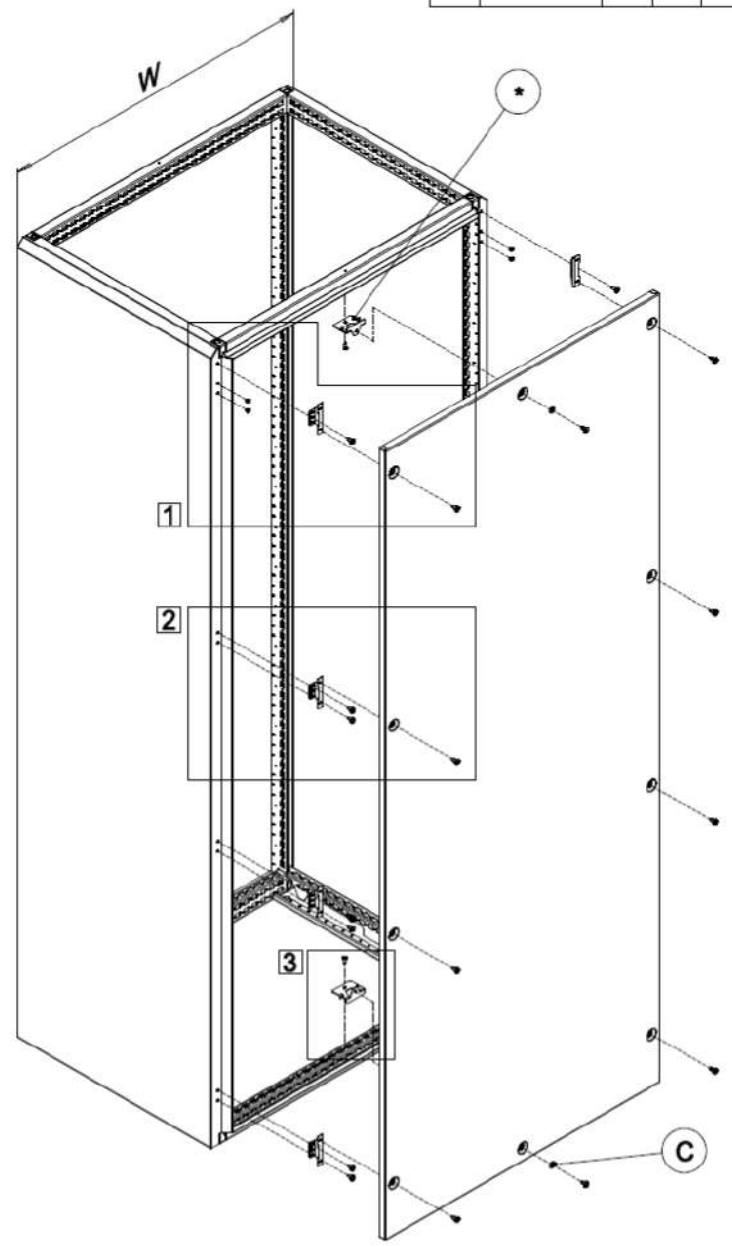
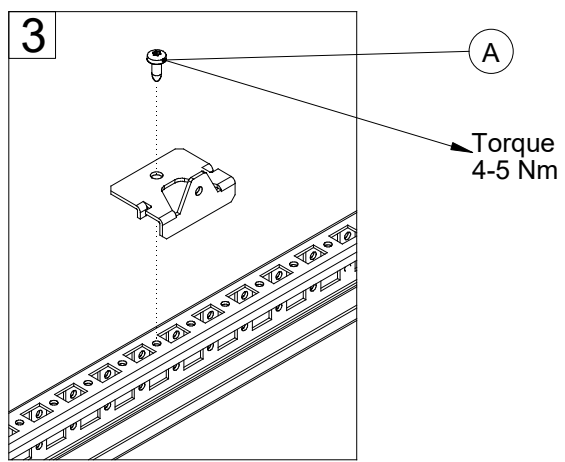
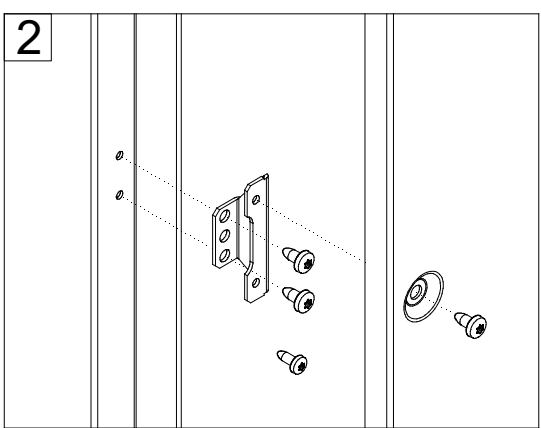
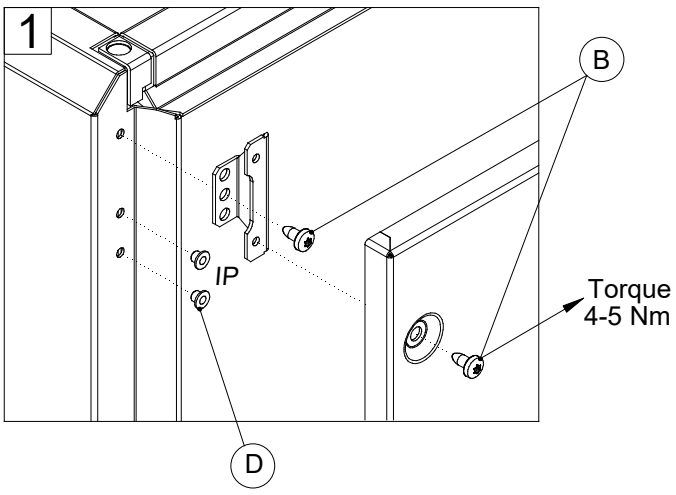


* - Used on enclosures 1000mm wide and above.

MKS BACK PANEL



Ref.	Pic.	W (mm)	<1000	≥1000
A	M5x10		-	2
B	M6x12	22	24	
C	M6		-	2
D			4	4

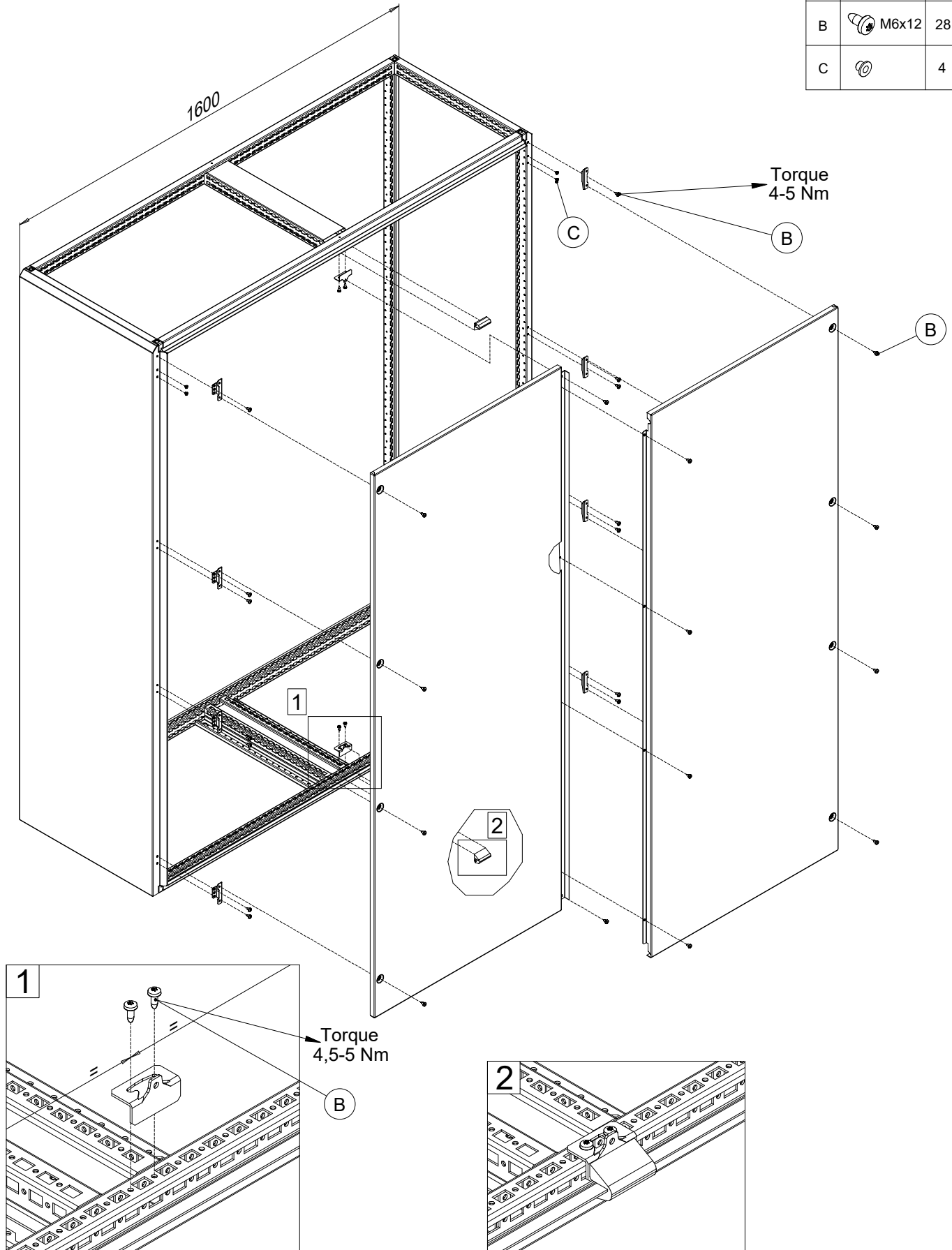


* - Used on enclosures 1000mm and 1200mm wide.

MKD BACK PANELS



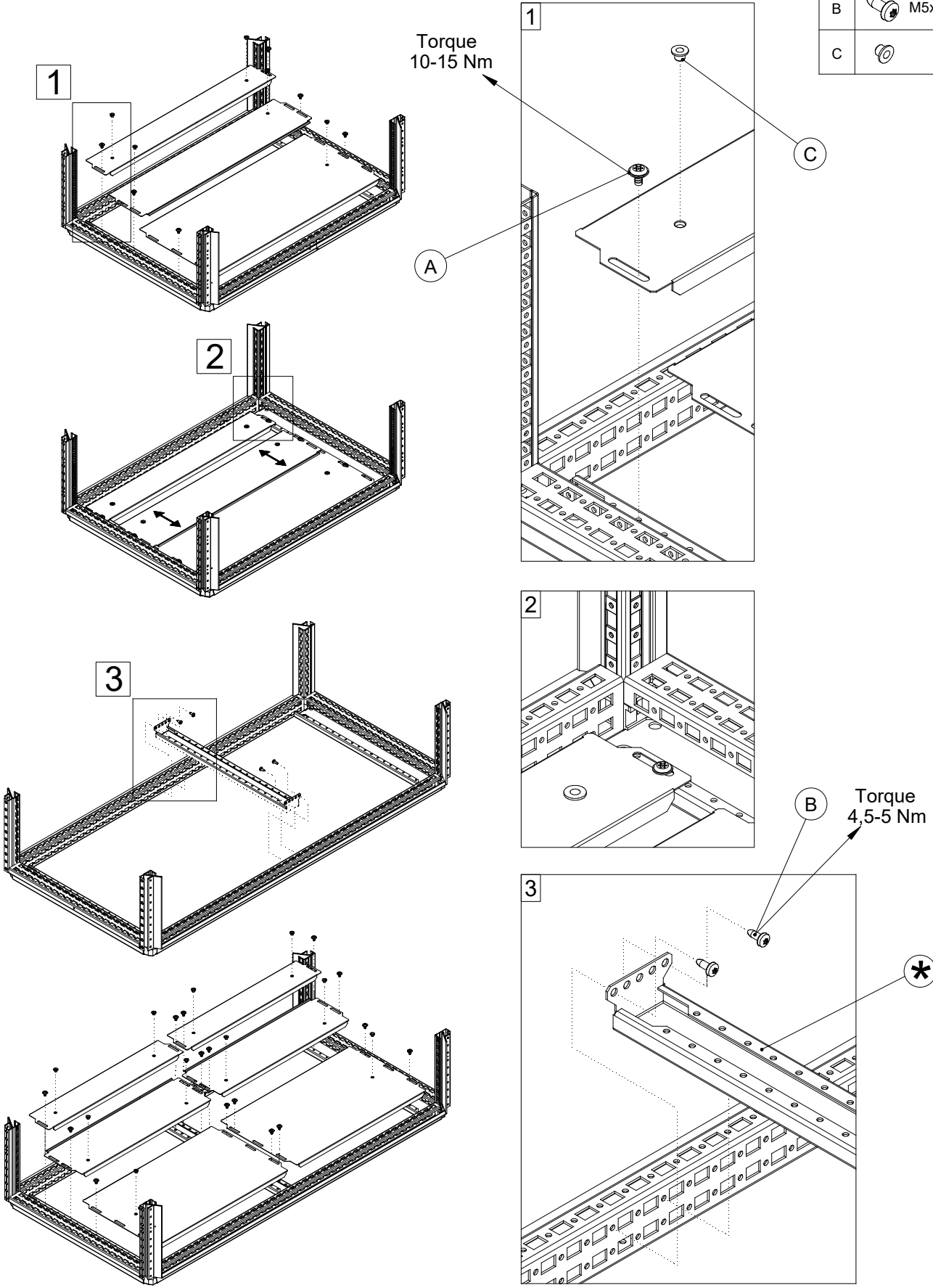
Ref.	Pic.	Qty.
A	M5x10	4
B	M6x12	28
C		4



MOUNTING BOTTOM PLATES



Ref.	Pic.	Qty.
A	St. 5.5x10	6/8/12/16
B	M5x10	4
C	5/7/10/14	

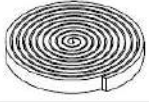
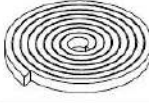



* - Used only on 1200mm wide enclosures.

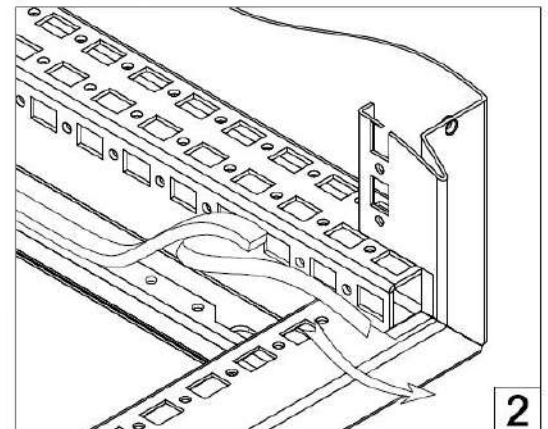
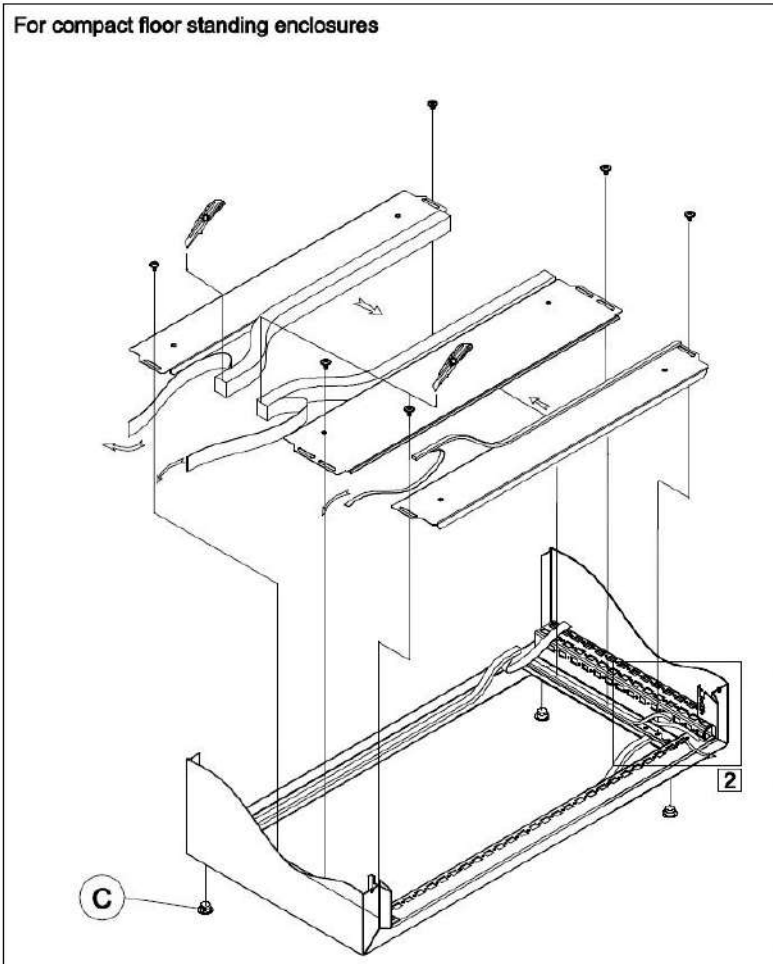
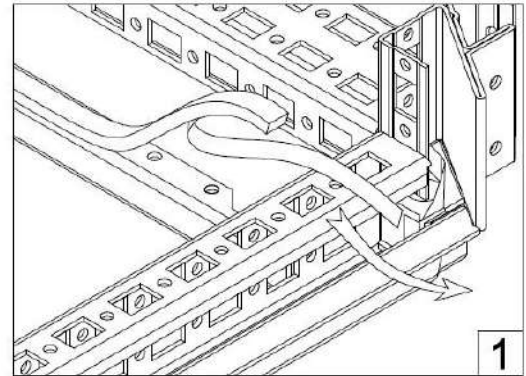
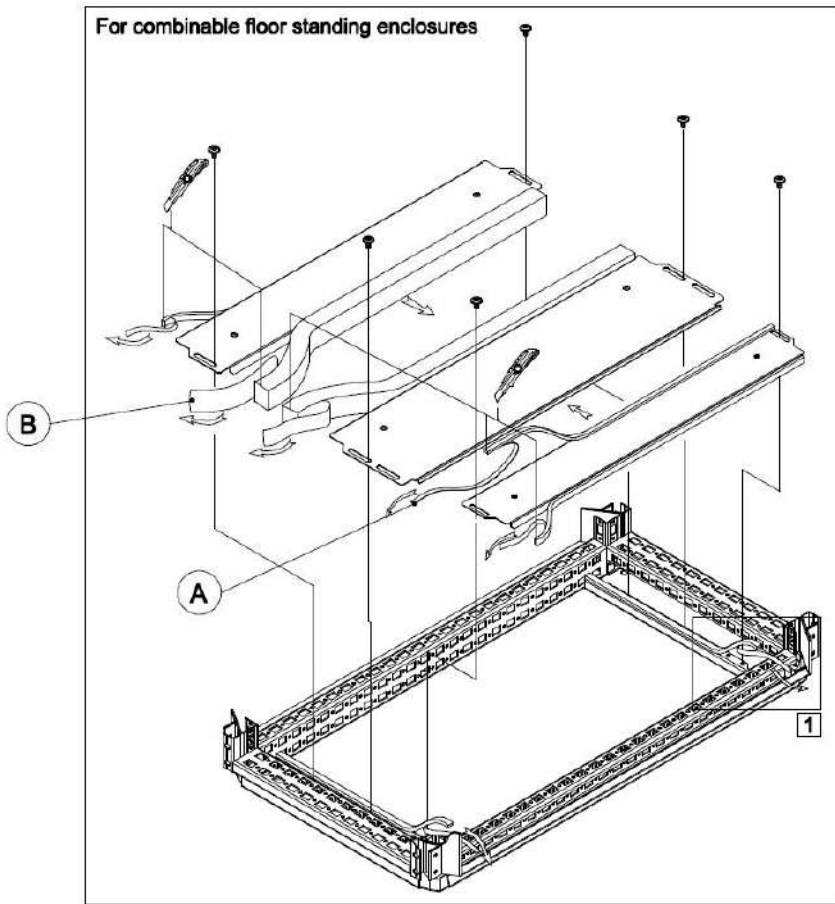
SEALING BOTTOM PLATES

Required for IP55



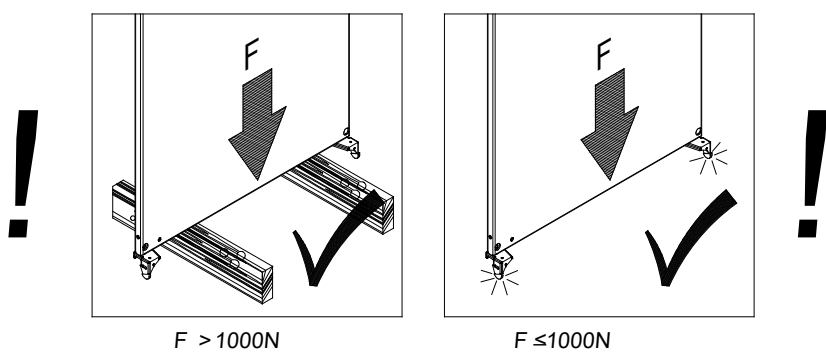
Ref.	Pic.	Qty.
A		6m
B		1,6m
C		4

BG01 ordered separately

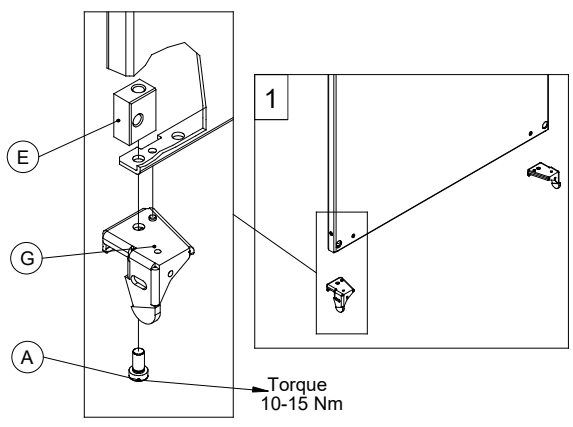




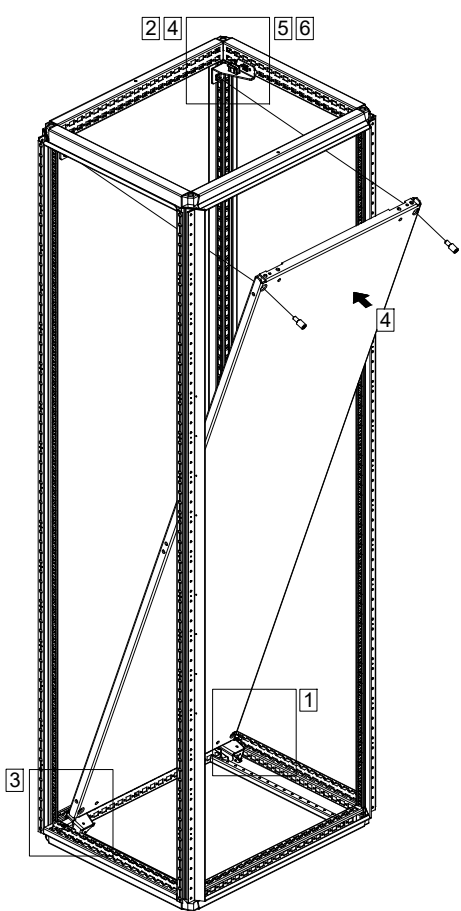
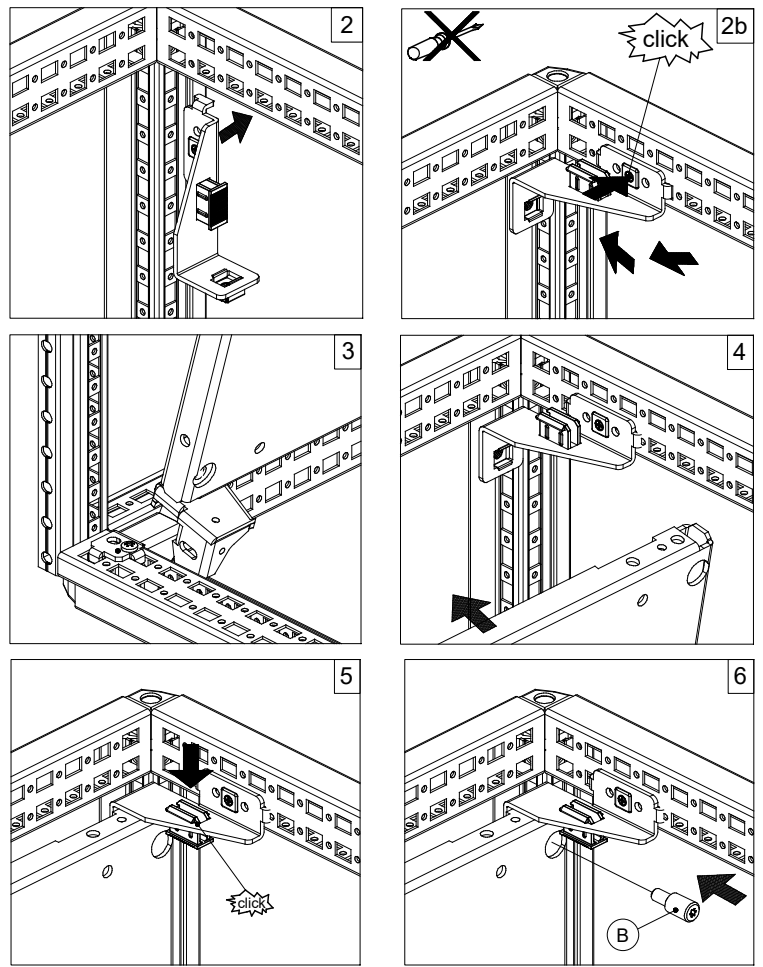
MOUNTING PLATE



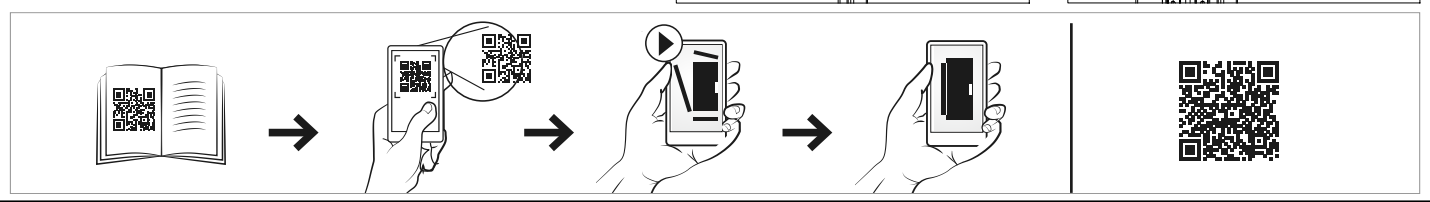
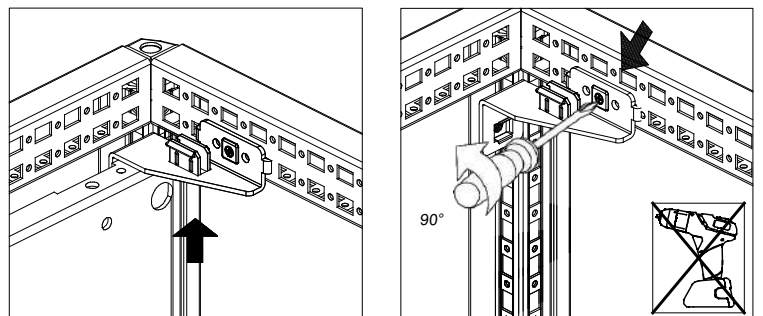
Ref.	Pic.	Qty.
A	M8x16	2
B	M8x16	2
C		2
D	Bottom right	1
E	Bottom left	1
F	Top right	1
G	Top left	1






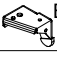

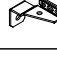


MOUNTING

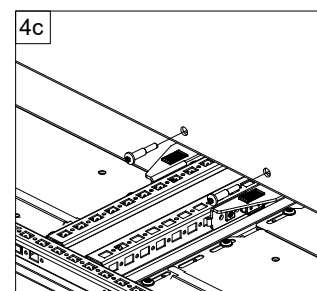
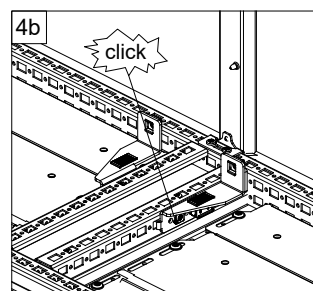
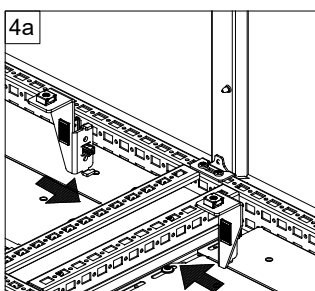
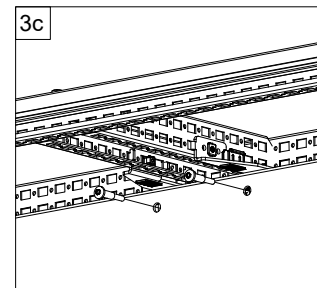
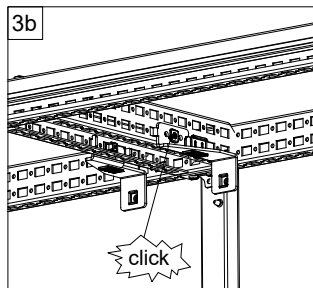
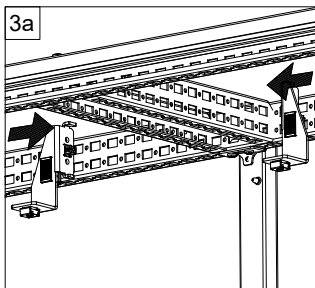
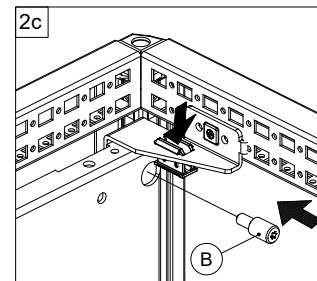
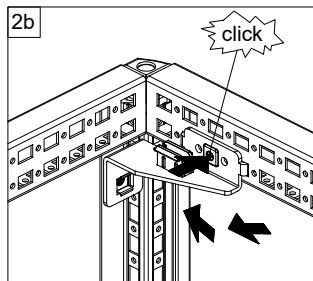
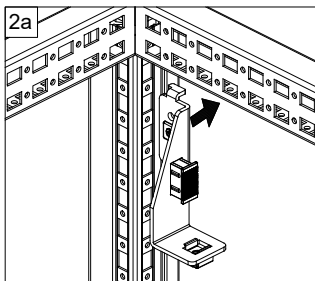
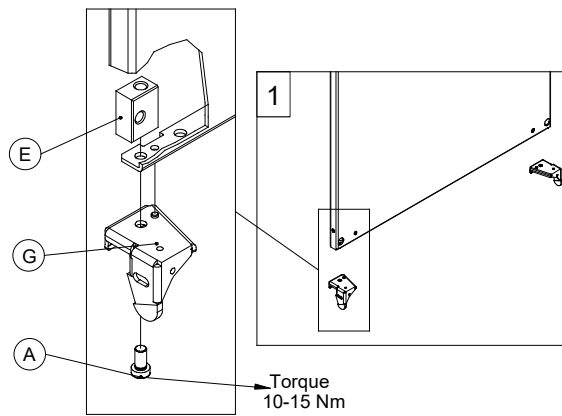
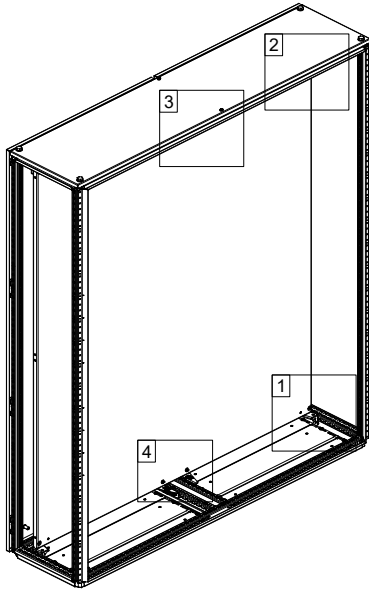
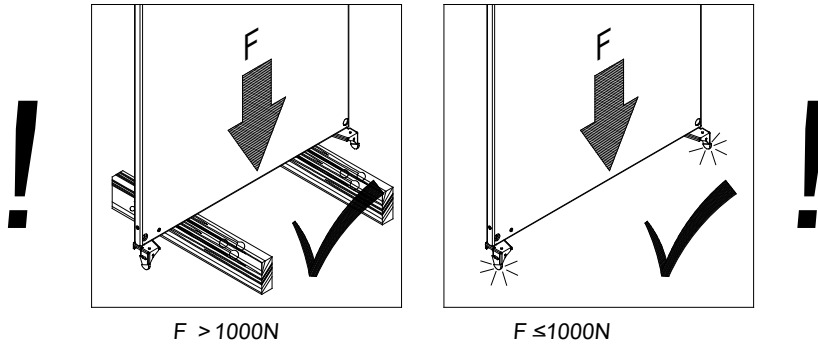


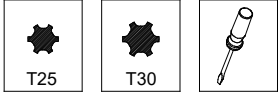
UNMOUNTING



MOUNTING PLATE 1600 WIDE

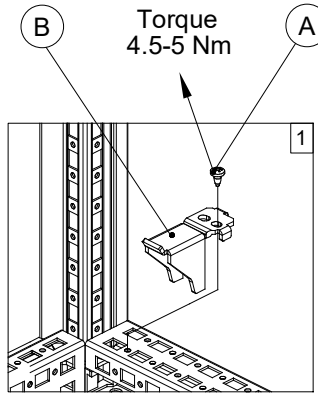
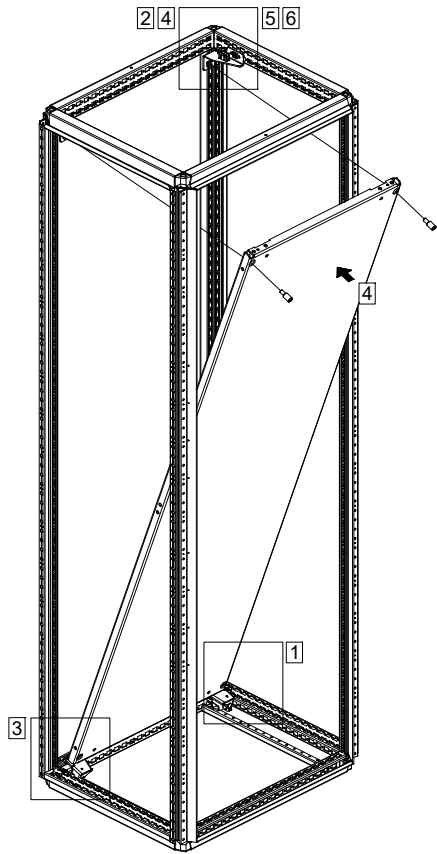
Ref.	Pic.	Qty.
A	 M8x16	2
B	 M8x16	2
C		2
D	 Bottom right	1
E	 Bottom left	1
F	 Top right	3
G	 Top left	3
H	 M8x40	4



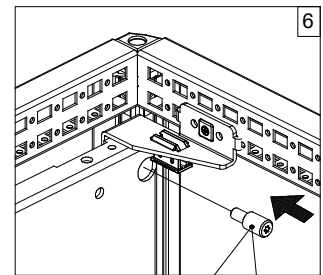
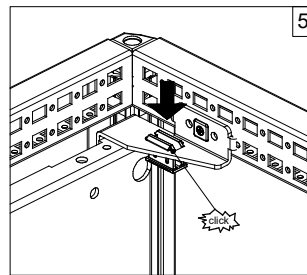
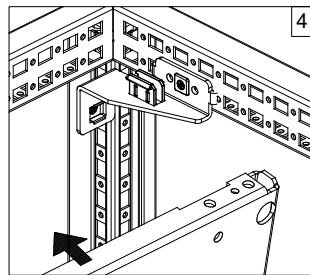
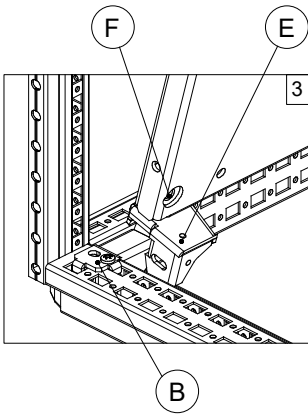
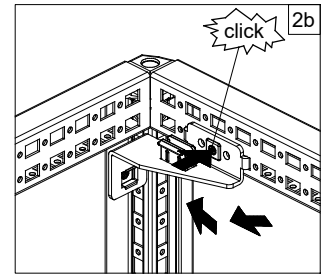
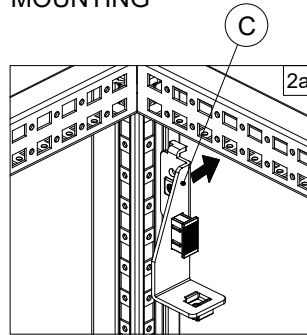


MPD02

Ref.	Pic.	Qty.
A	M5X12	2
B	Bottom left	1
C	Bottom right	1

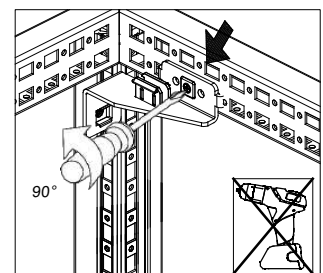
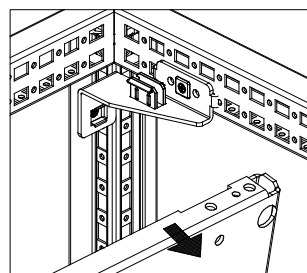
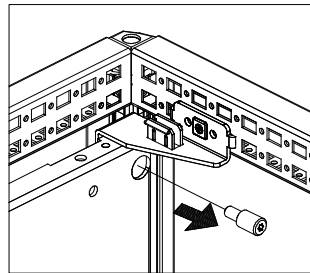
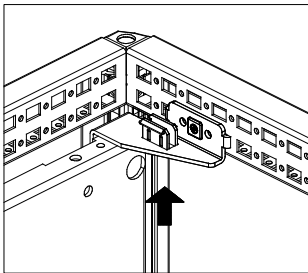


MOUNTING



Torque 4.5-5 Nm

UNMOUNTING

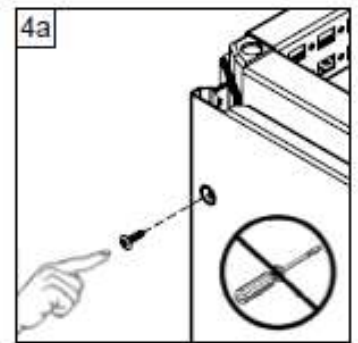
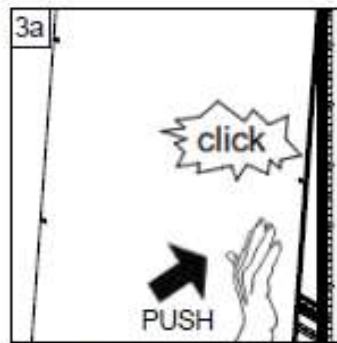
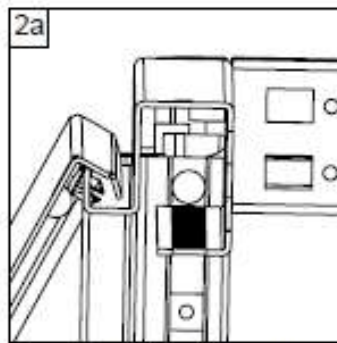
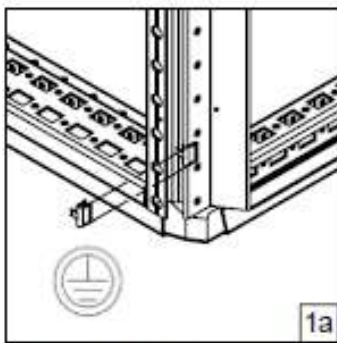
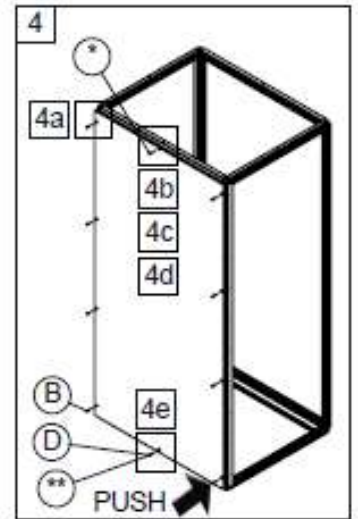
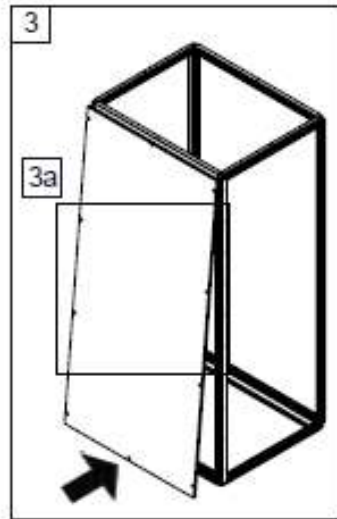
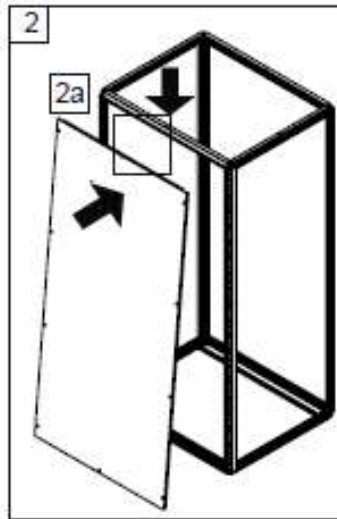
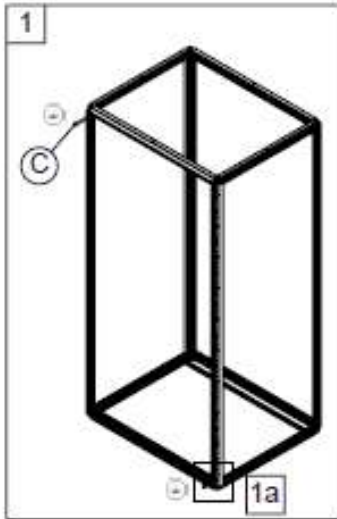




SPM

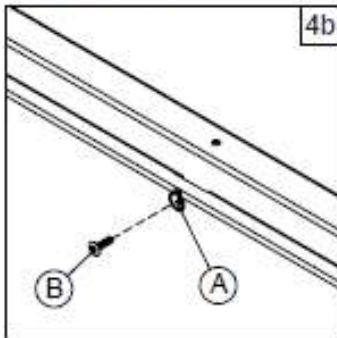
Ref.	Pic.	Qty.
A		6/8/9
B		6/8/9
C		2
D		1
E		1
F		1
G		

Side panel mounting

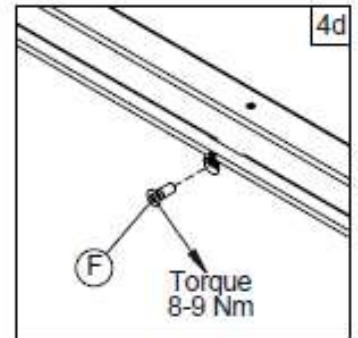
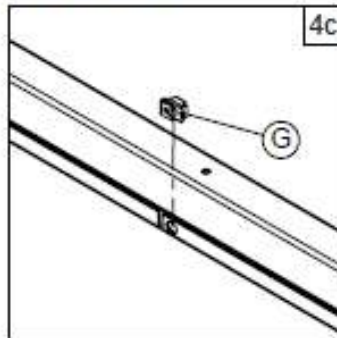


* Top middle fixation (for 900 mm depth and above)

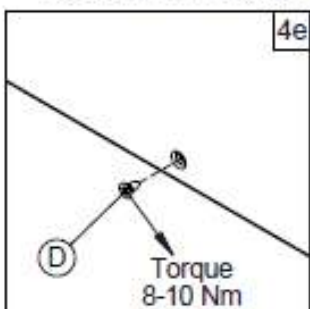
Alternative 1



Alternative 2



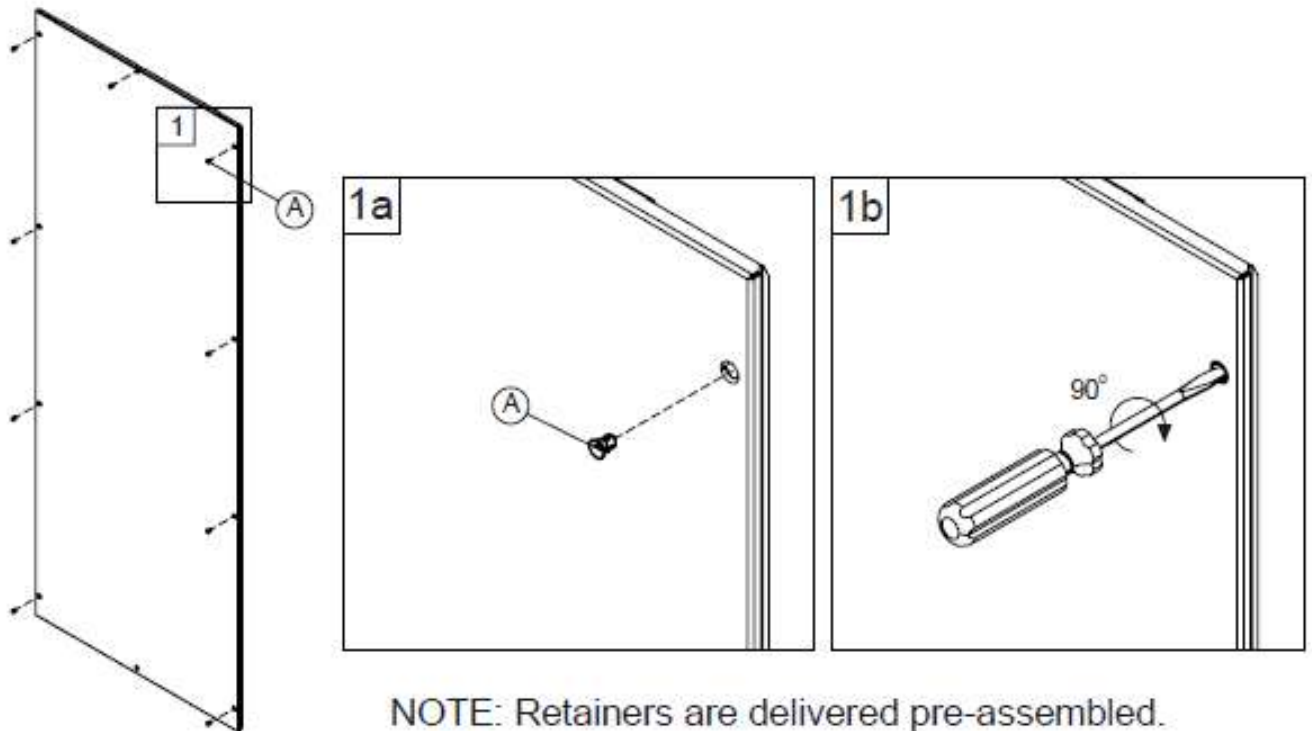
** Bottom middle fixation (for 900 mm depth and above)



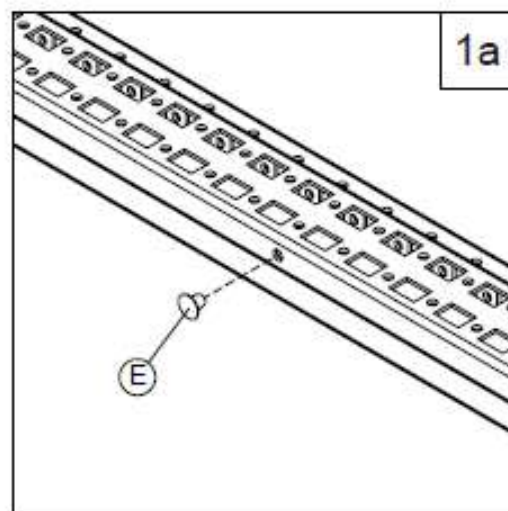
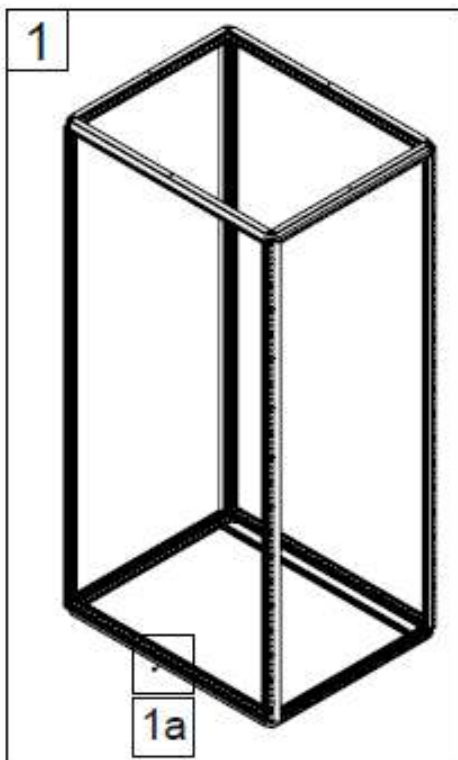


SPM

Retainer mounting

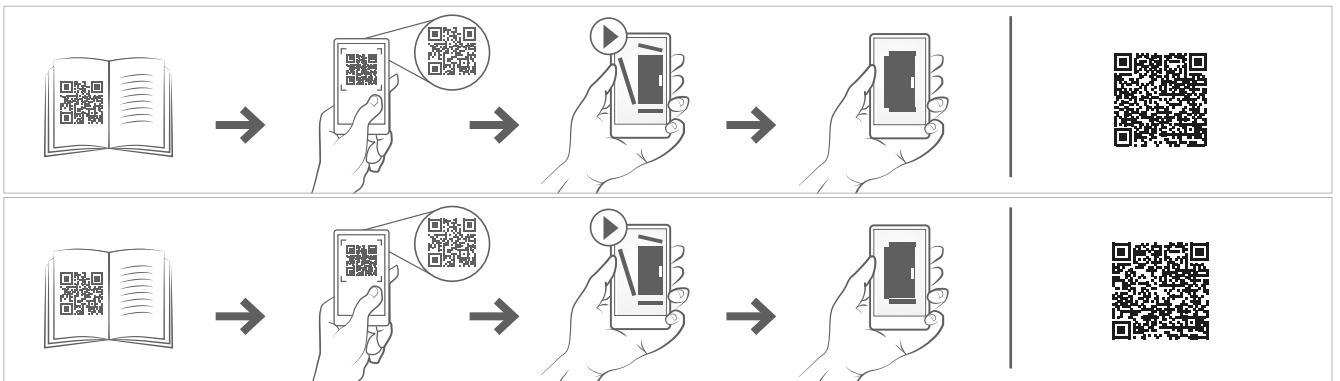
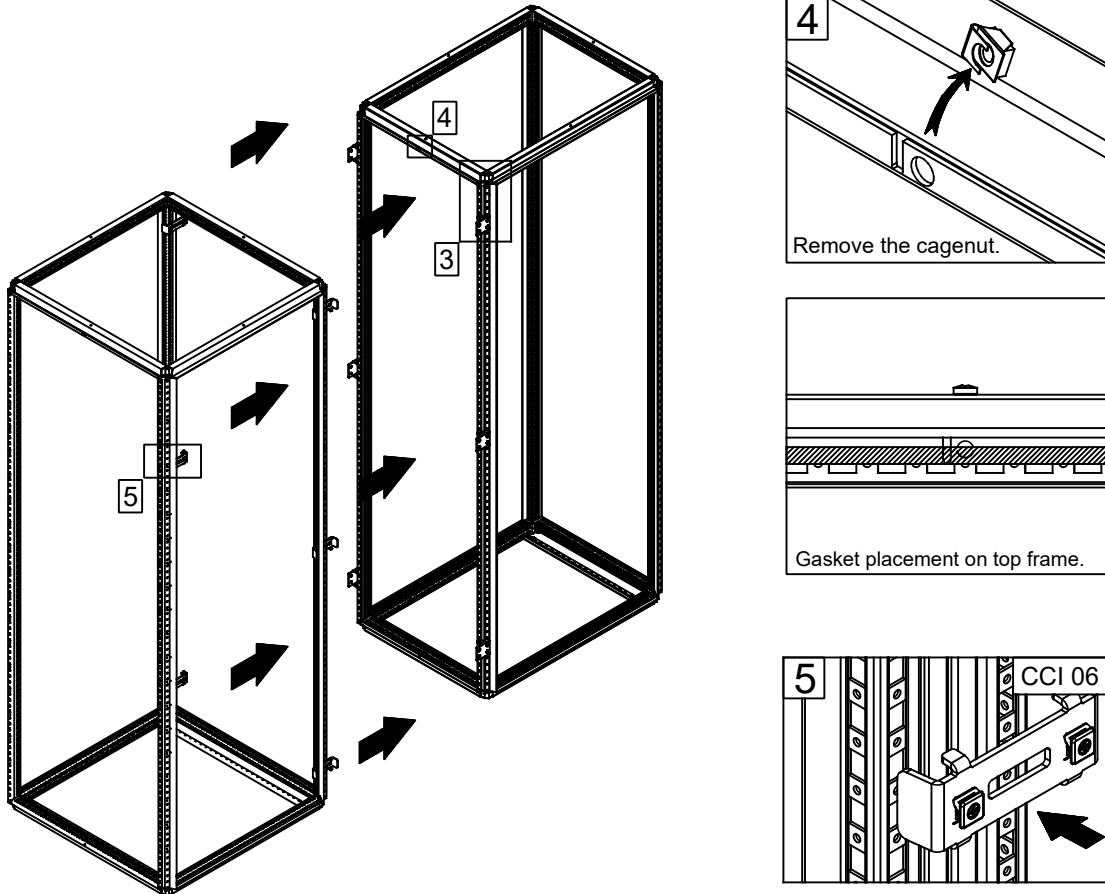
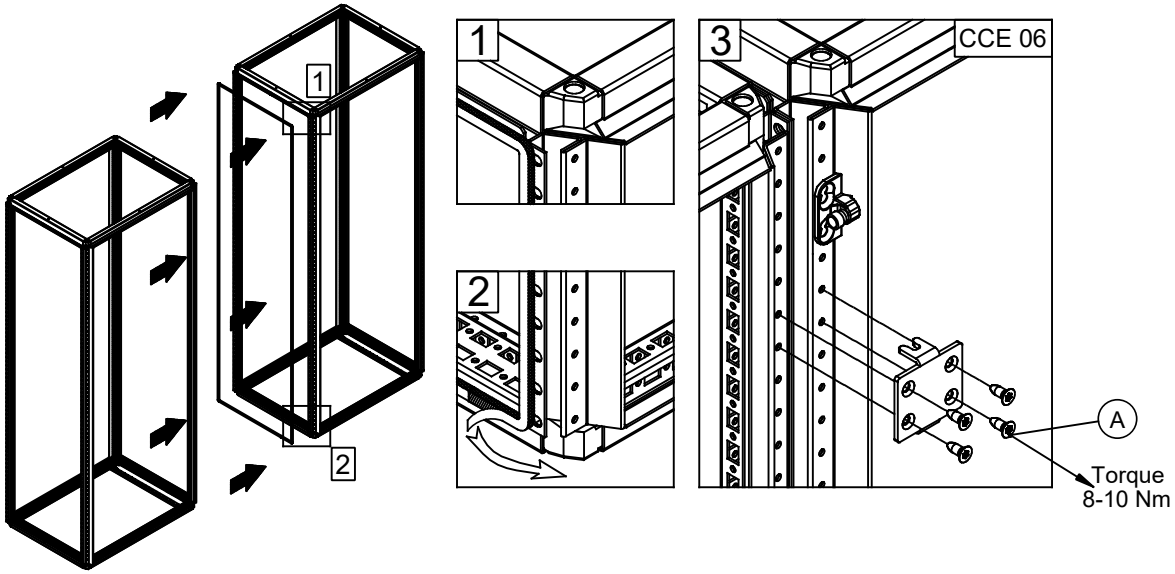


NOTE: For the old design frame (from 700 mm till 800 mm depth), the following additional steps are required:



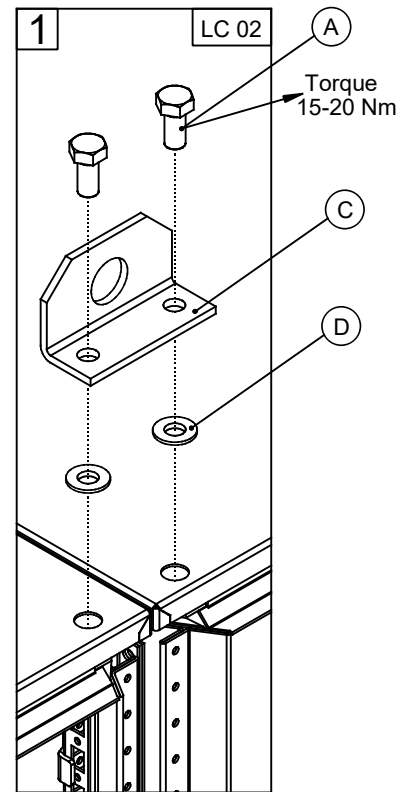
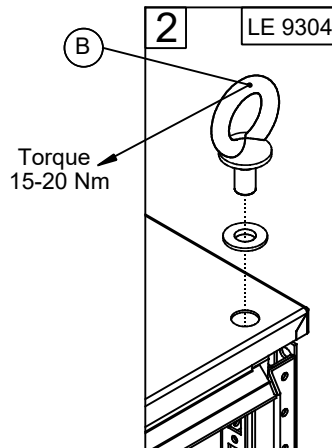
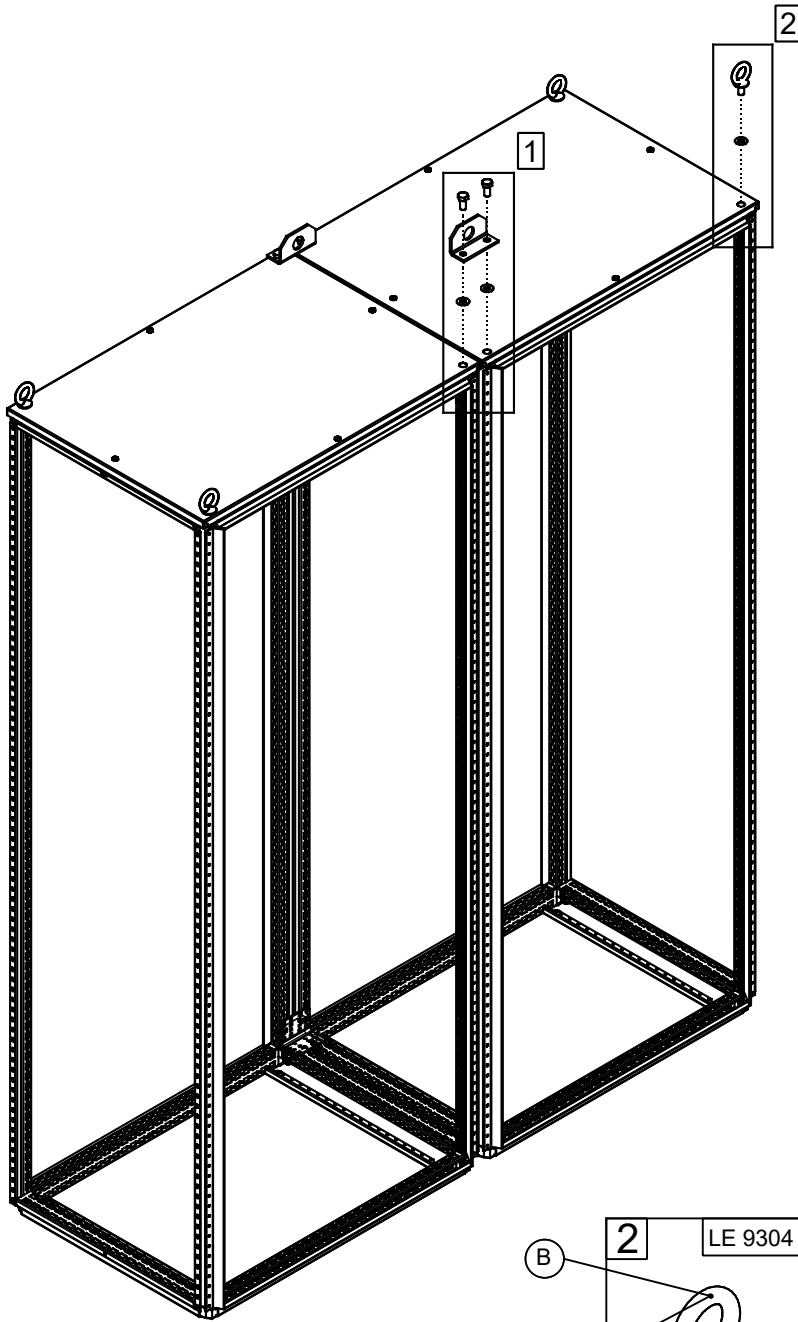


Ref.	Pic.	Qty.
A		8
B		6
C		12
D		6





Ref.	Pic.	Qty.
A		4
B		4
C		2
D		4

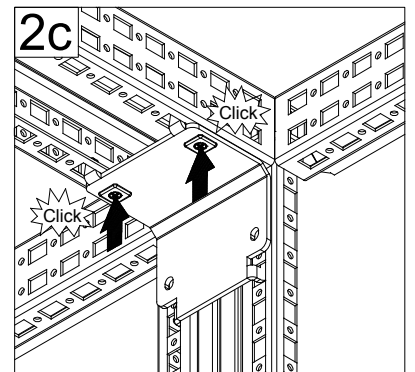
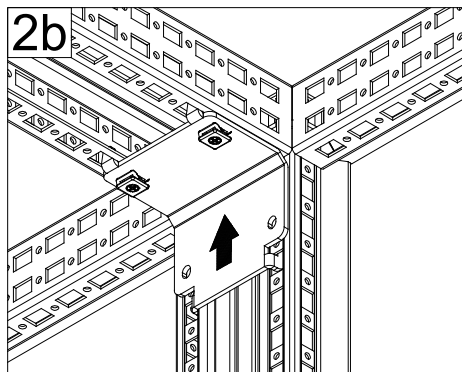
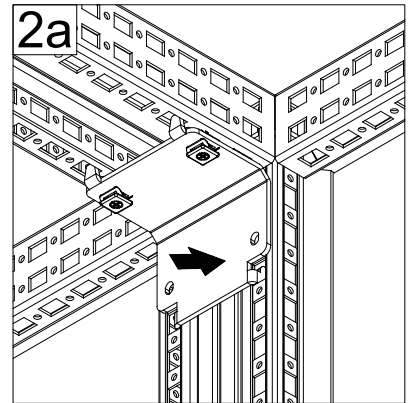
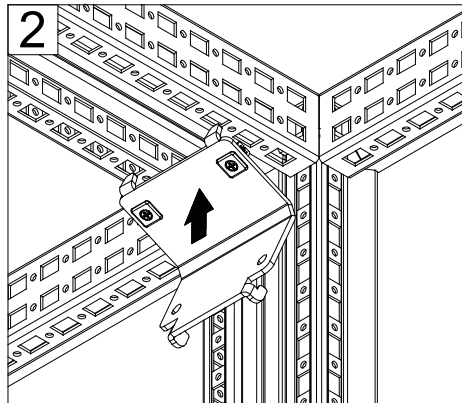
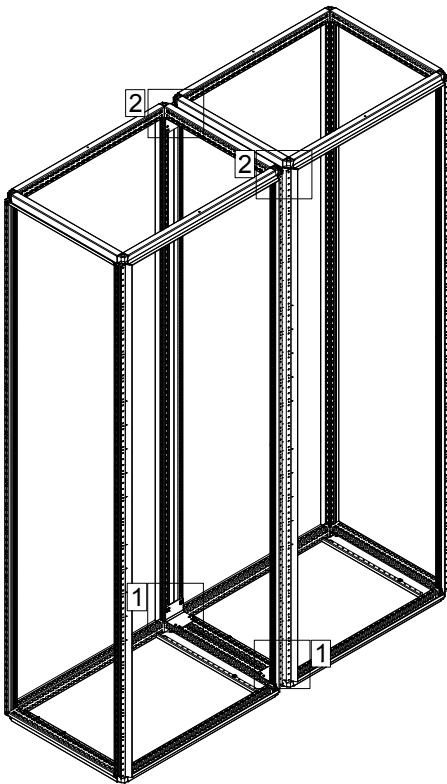
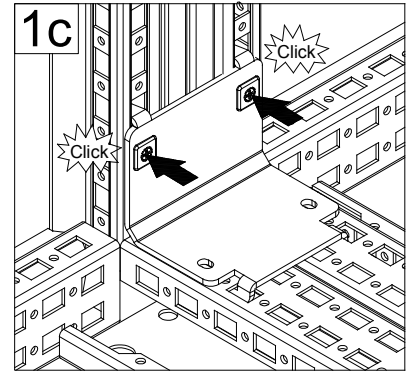
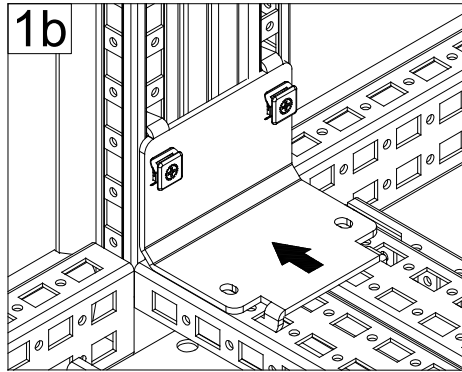
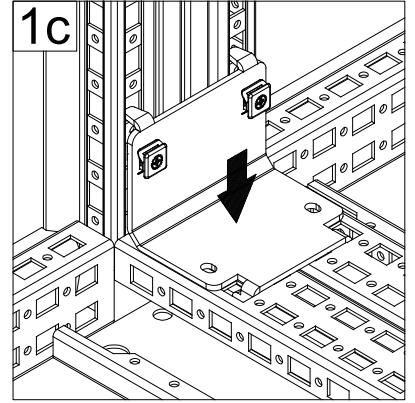
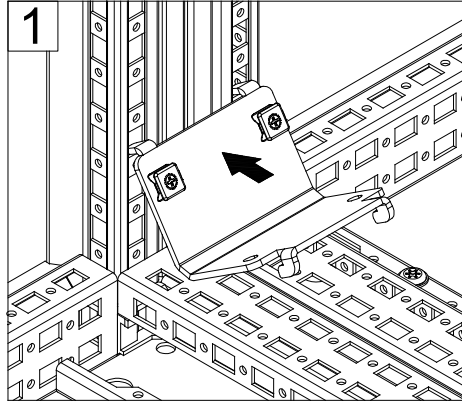
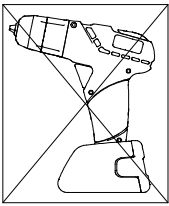
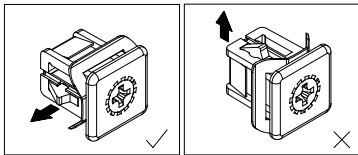
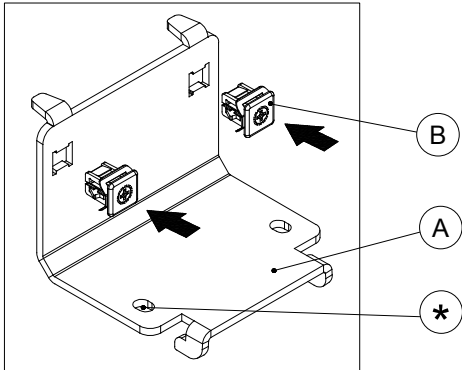




CCM 04

Ref.	Pic.	Qty.
A		4
B		8

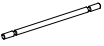



MOUNTING

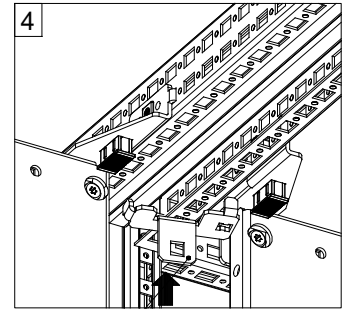
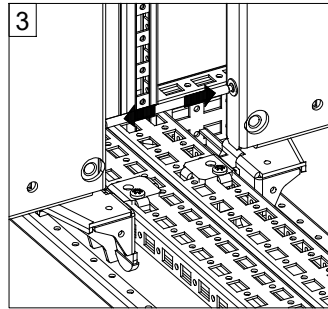
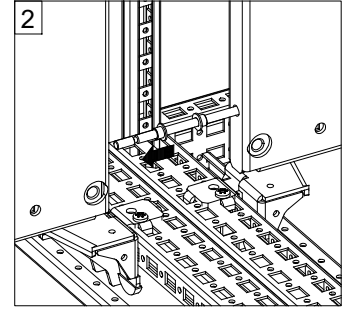
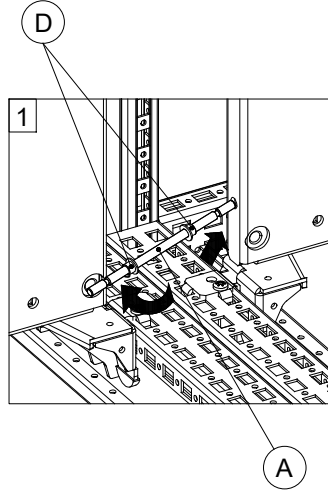
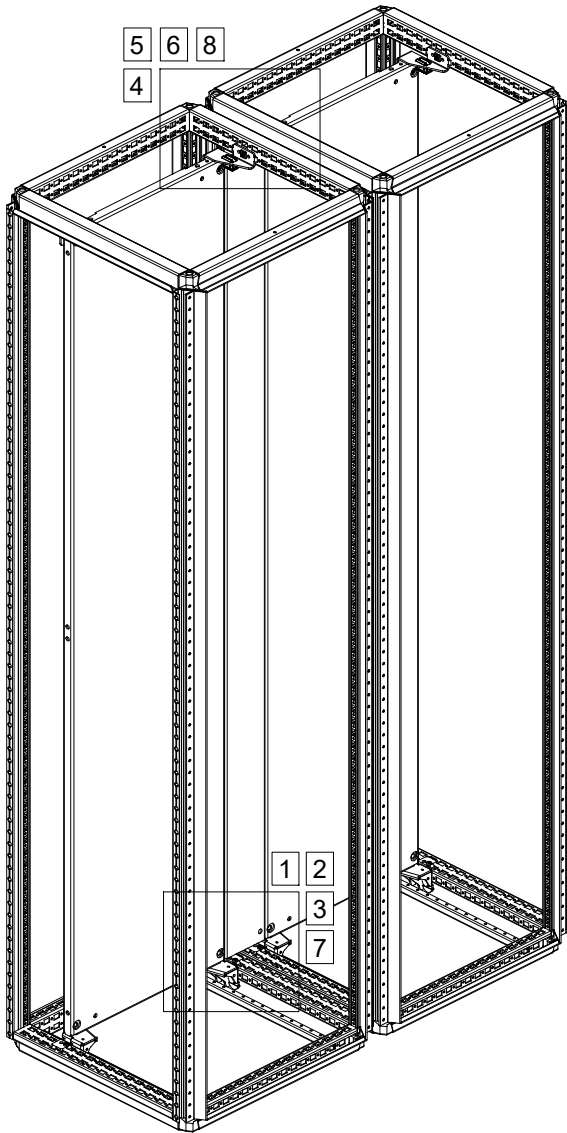


Note: It is mandatory for all four brackets to be installed at all four corners !

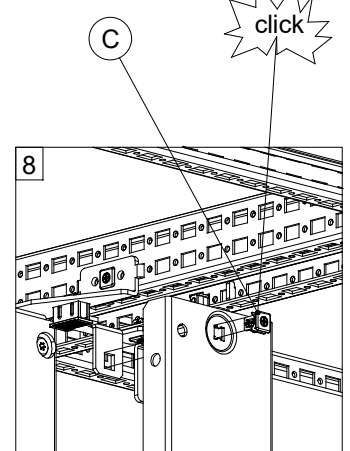
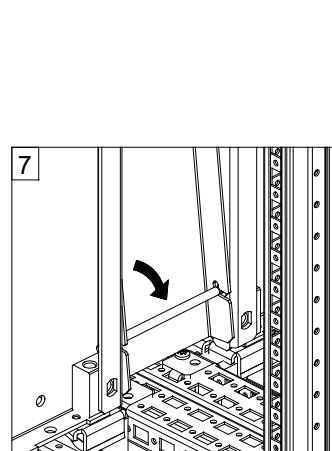
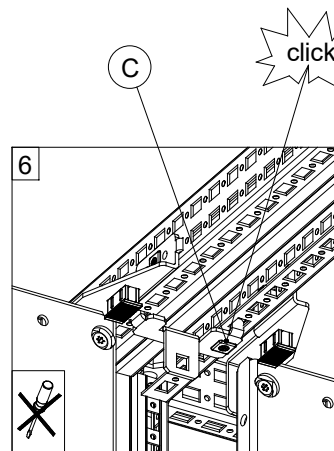
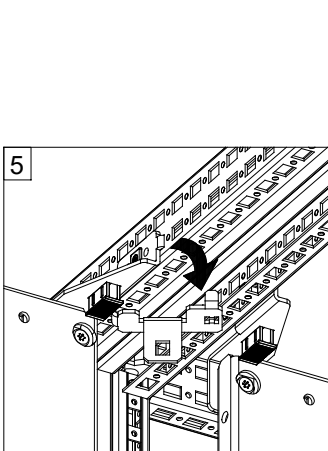
* The fixation holes can be used to better fix the bracket to the frame, using cage nuts and screws !

MPF

Ref.	Pic.	Qty.
A		1
B		1
C		2
D		2




B

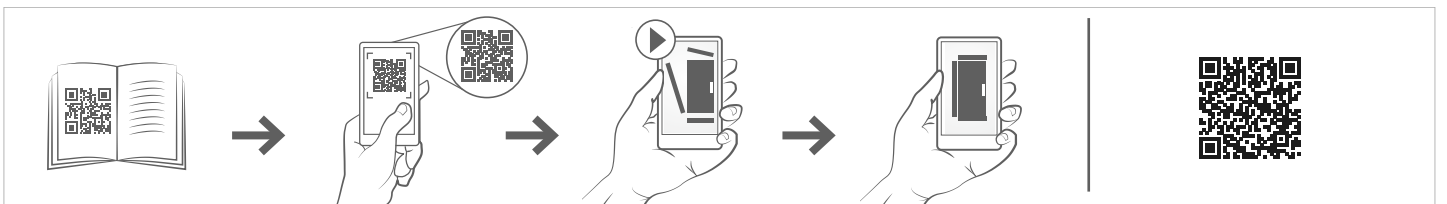
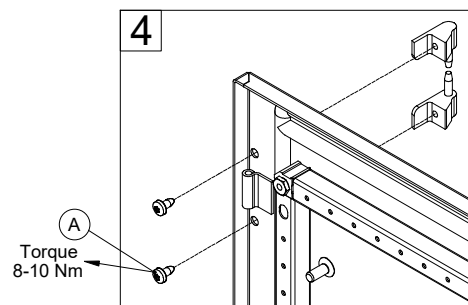
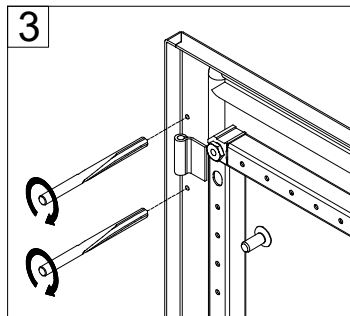
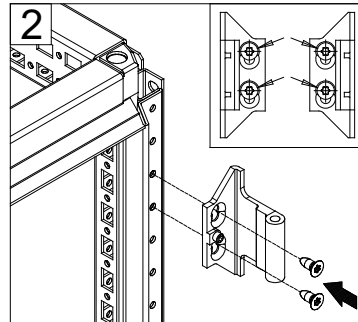
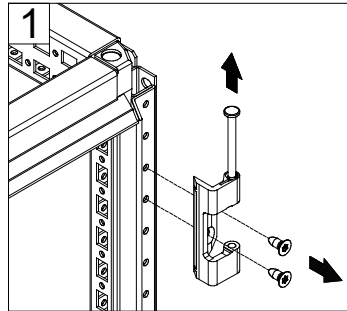
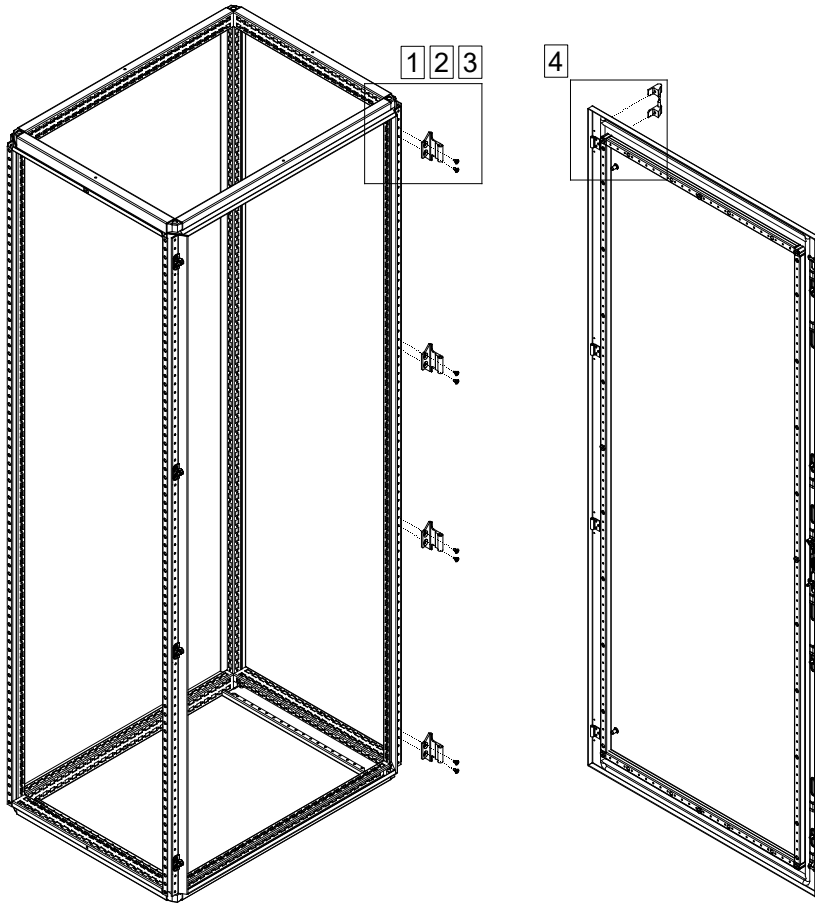
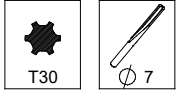


Back view



DHN 180

Ref.	Pic.	Qty.
A	 M6x12	8



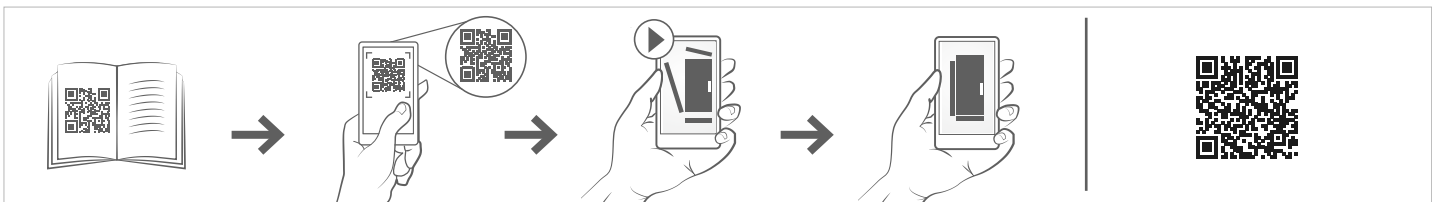
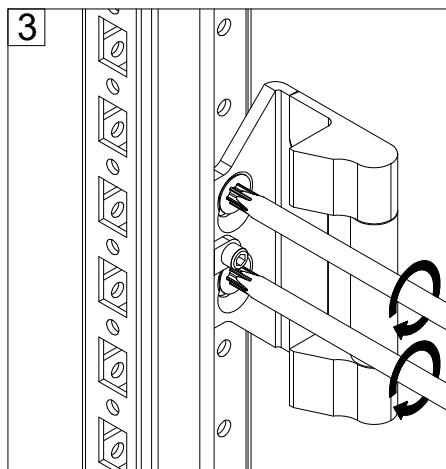
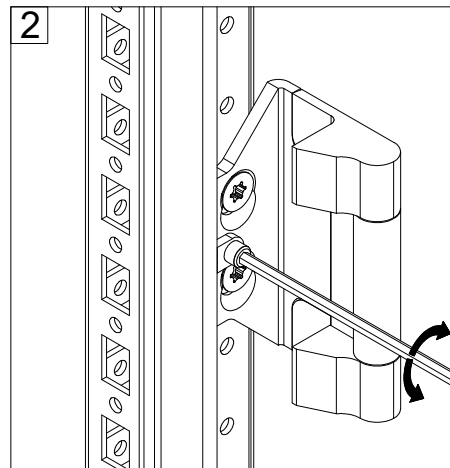
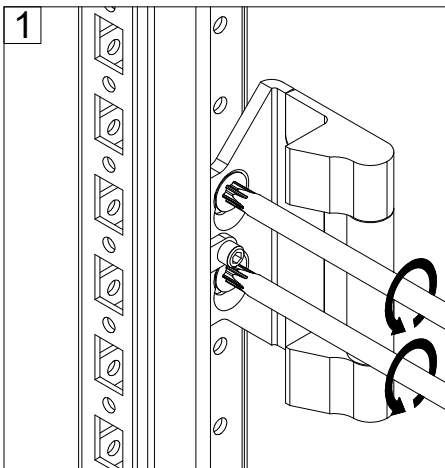
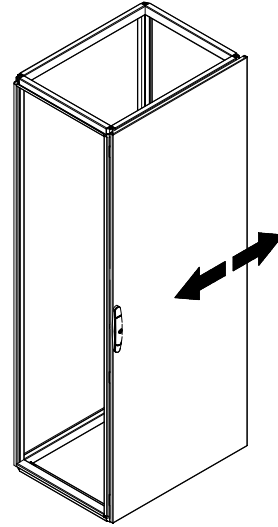
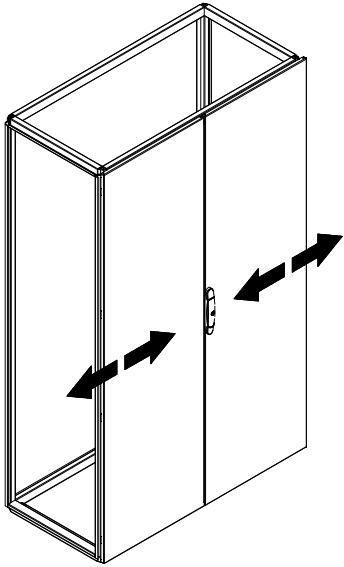


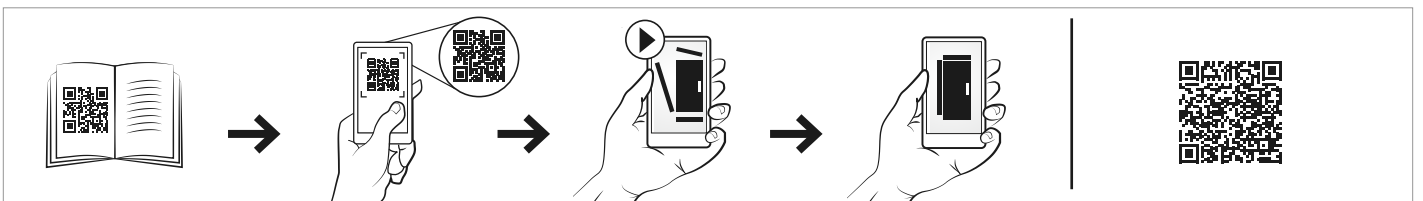
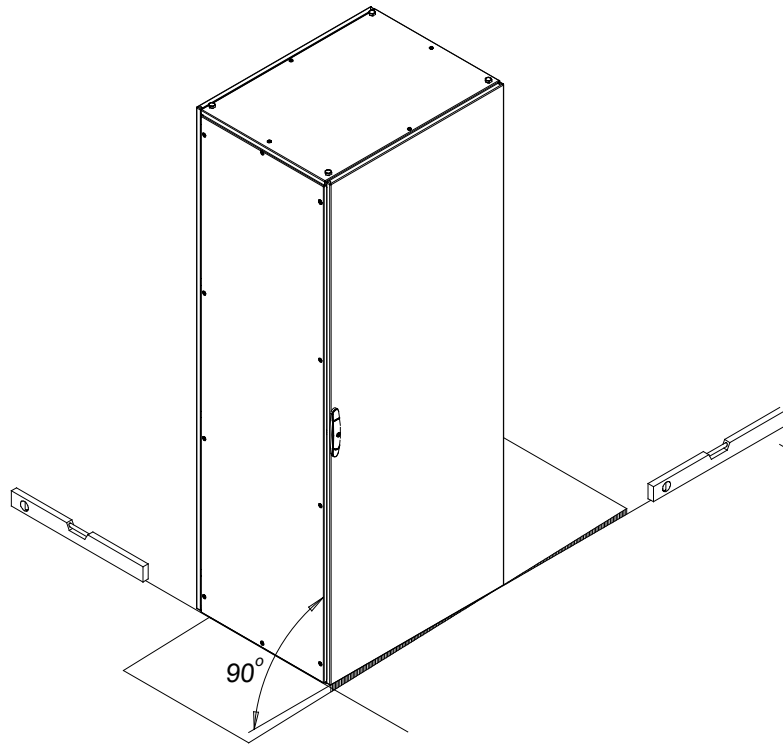
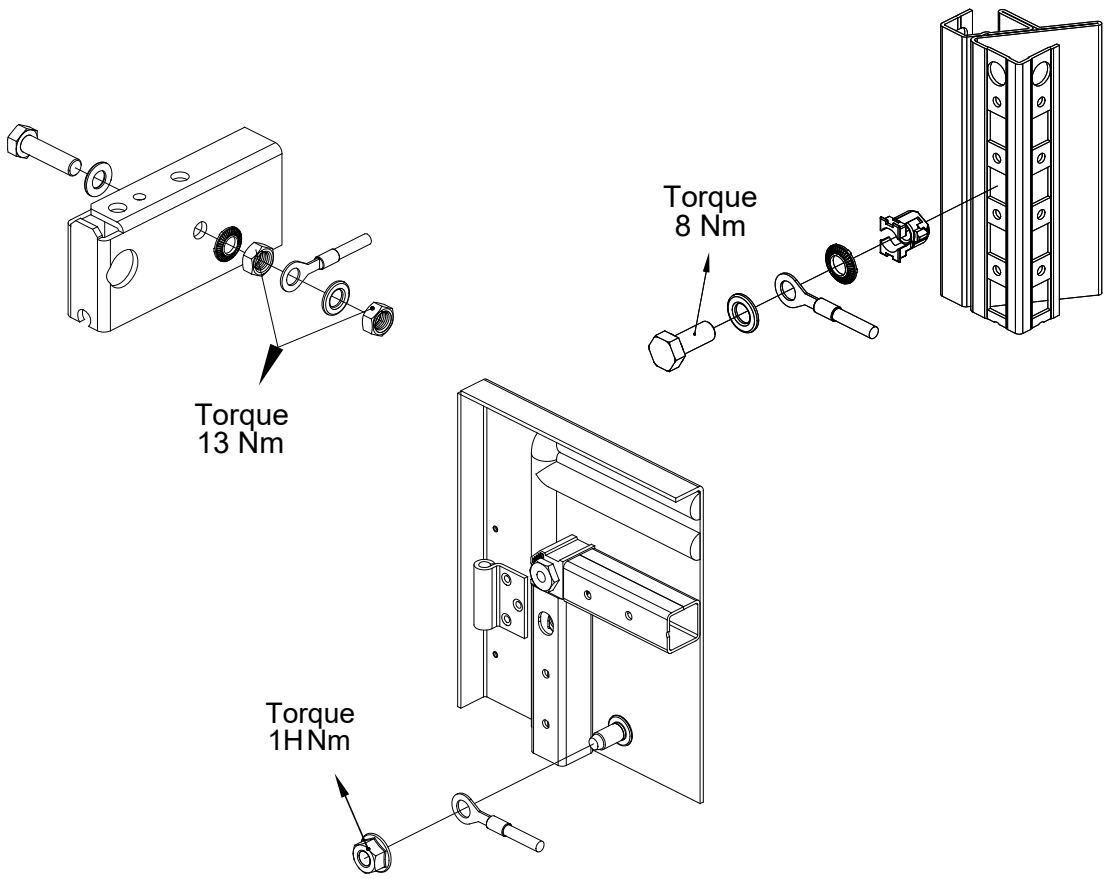
T30



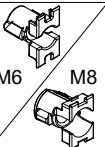
SW3

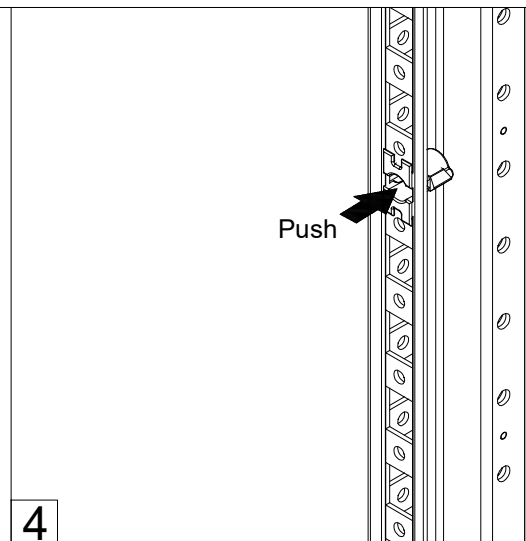
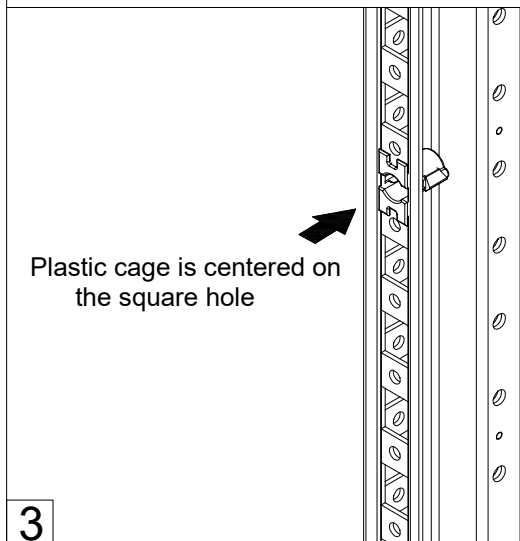
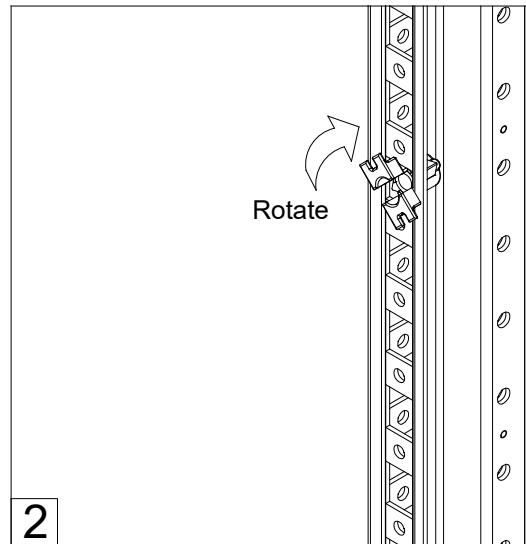
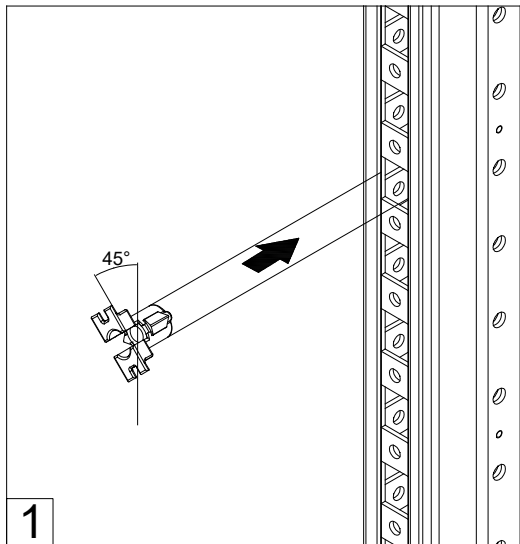
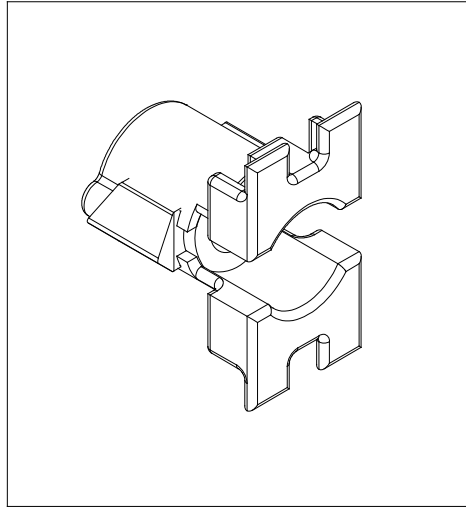
DHN 180 DOOR ADJUSTMENT

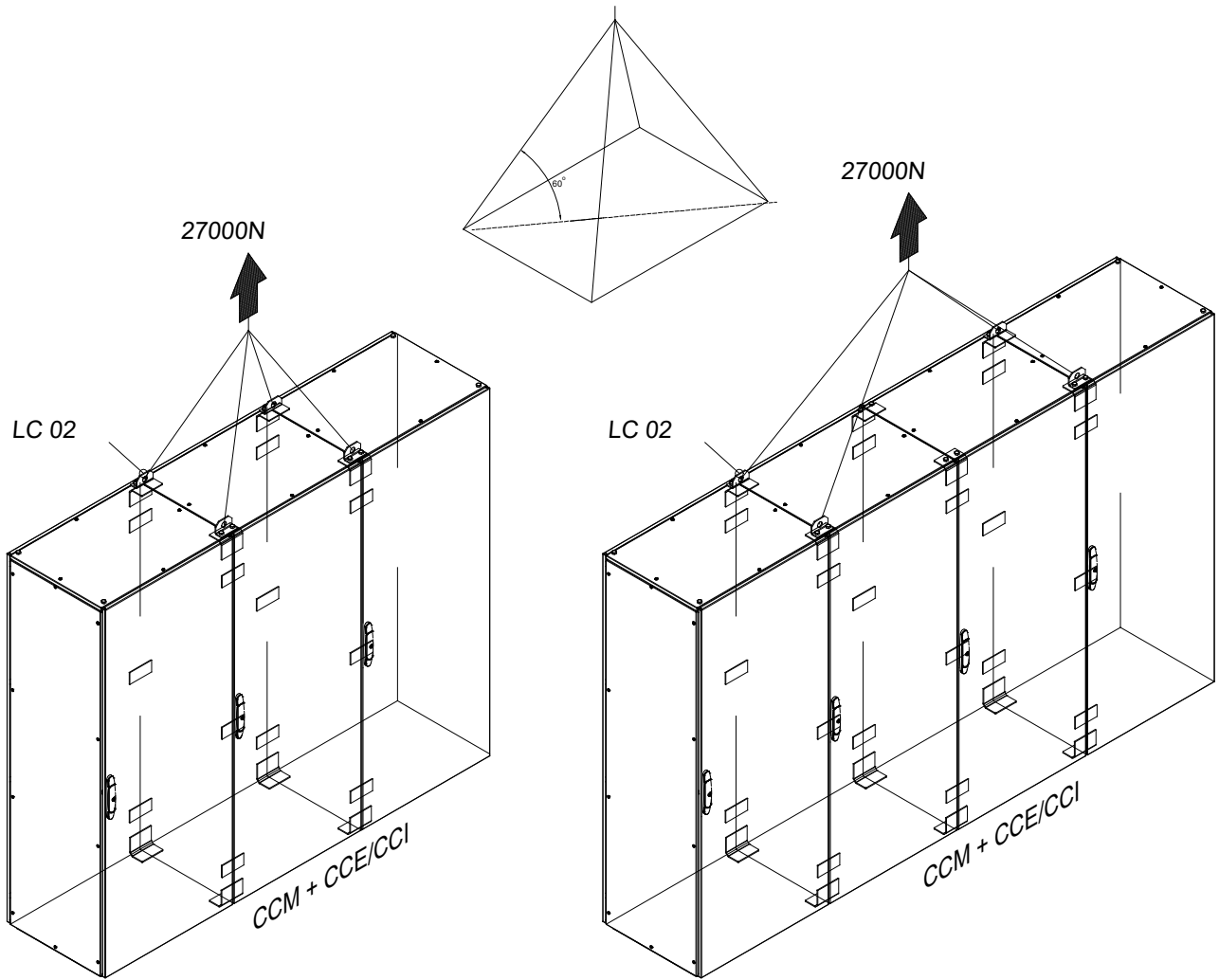
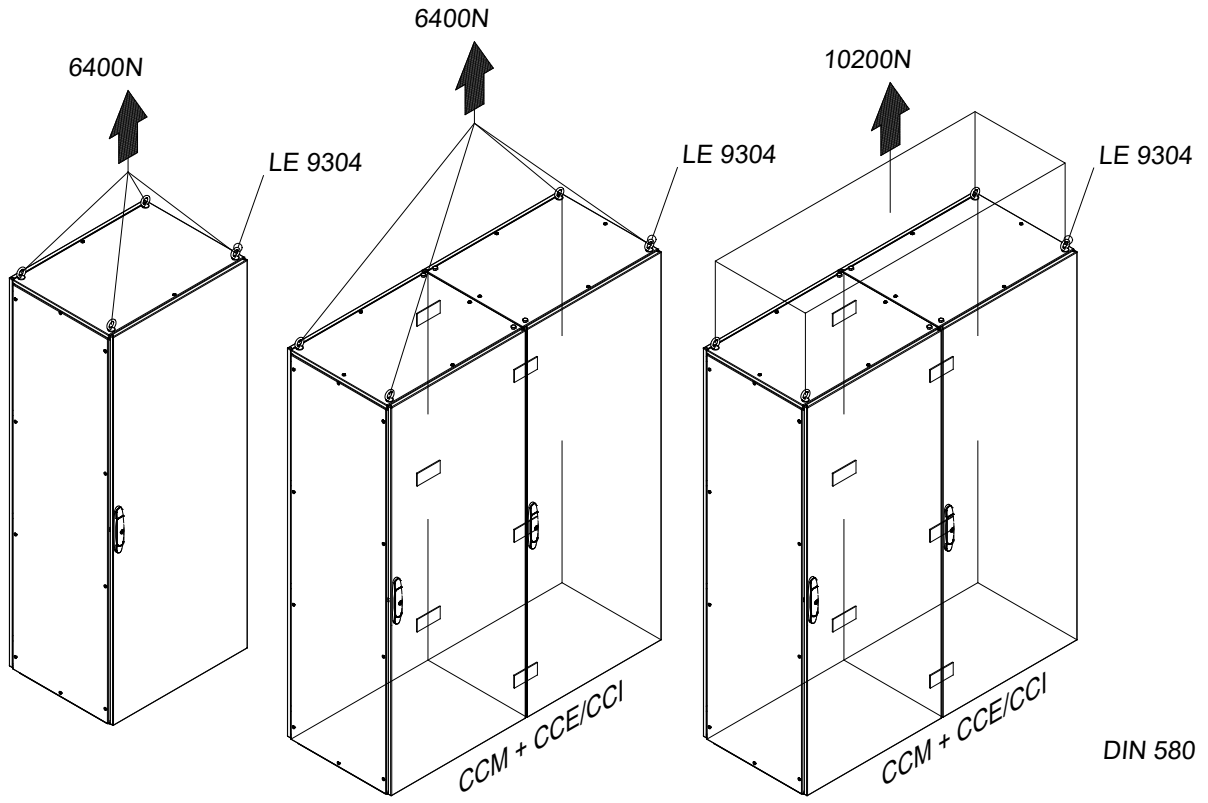


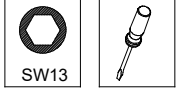


CNM

Ref.	Pic.	Qty.
A		1







MCM

Mousepad RH into LH

