

# MCD-IEC\_NA

Mild steel combinable version, double door enclosure



**HOFFMAN**

## CONNECT AND PROTECT



The mild steel double door combinable floor standing enclosure range, MCD, is ideal for installation in confined spaces where a single door, when opened, would take up too much space in front of the enclosure. The doors' loading capacity also increases as it is divided over two doors. With a IP 55 protection degree, components inside the enclosure are well protected and makes it well suited for many different applications.

### **MATERIAL:**

Frame: 1.5 mm painted steel. Doors: 2 mm painted steel. Rear, roof and side panels: 1.5 mm painted steel. Mounting plate: 3 mm galvanized steel. Bottom plates: 1 mm galvanized steel.

### **FRAME:**

Seam welded reversed open profiles with 25 mm hole pattern, according to DIN 43660. Including integrated external hole pattern.

### **DOORS:**

Mounted with four hinges. Including door frame with 25 mm hole pattern. Doors cannot be reversed. Separate doors to be ordered for left hand door locking.

### **REAR PANEL:**

Fitted by M6 torx screws. Standard facilities for rear doors mounting. Split rear panels in 1600 mm wide enclosures.

### **SIDE PANELS:**

Supplied as an accessory.

### **ROOF PANEL:**

Removable.

### **LOCK:**

Espagnolette 4-point locking system in the main door and 2-point locking system in the slave door. Standard double-bit lock with 3 mm insert. Standard inserts, cylinders, lift handles and T-handles are available as accessories.

### **BOTTOM PLATES:**

Consists of three or four (D>600) pieces.

### **MOUNTING PLATE:**

Double folded and slides into position. Adjustable in depth by steps of 25 mm, with the MPD02 accessory. Supplied, attached on the outside of the enclosure packaging.

### **EARTHING:**

All panels are earthed through their fittings and equipped with a separate earthing stud.

### **FINISH:**

RAL 7035 structured powder coating.

### **PROTECTION:**

Complies with IP55 | TYPE 12 | IK 10.

### **MOUNTING REQUIREMENTS:**

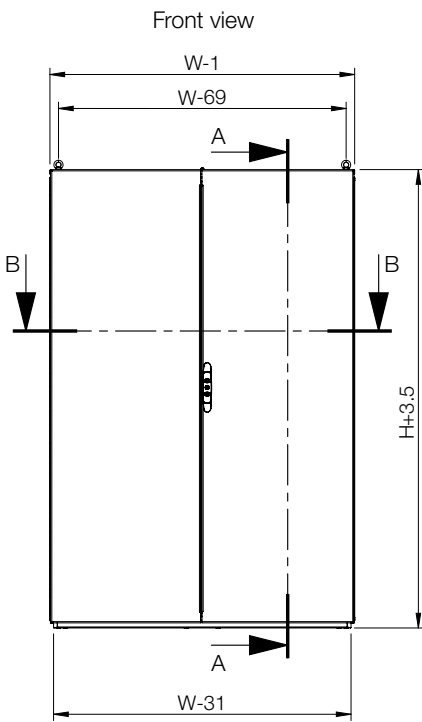
Standard delivery ready for combined installation. For stand-alone installation add side panels.

### **DELIVERY:**

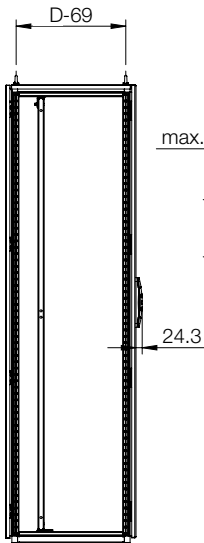
Frame with fitted doors, rear panel, roof panel, bottom plates, mounting plate and door frame (not included for PER5 version). For enclosures 2200 mm height, delivery includes two CMB profiles mounted in depth. Delivery also includes earthing bolts. Delivered on a pallet which is identical to the width of the enclosure to allow baying without removal. Packing material is recyclable.

IP 55 | TYPE 12 | IK 10

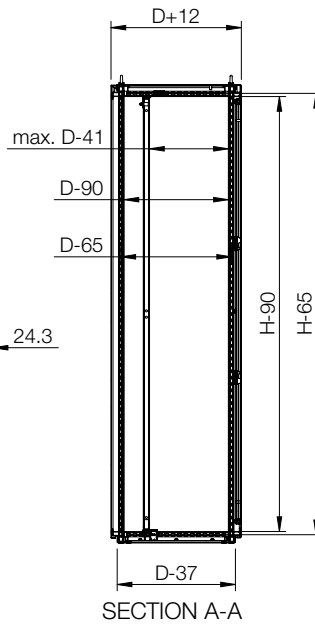




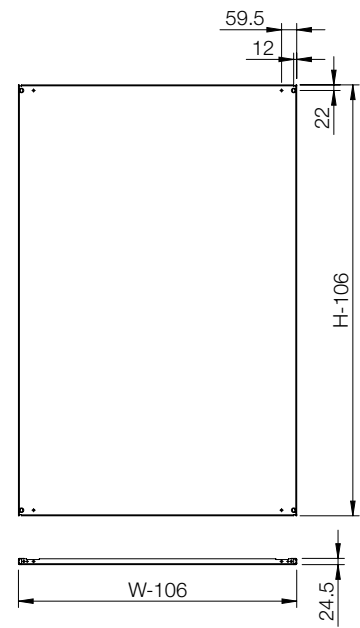
Side view



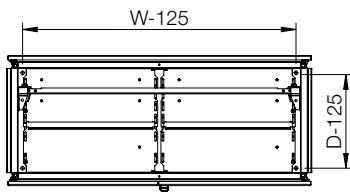
Sectional side view



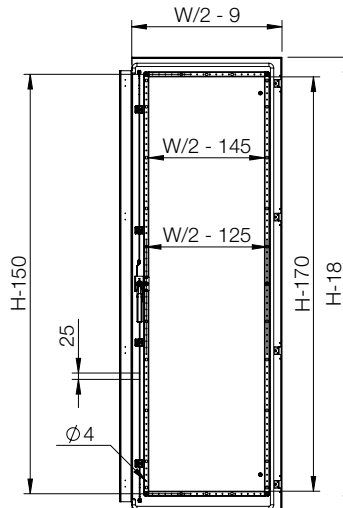
Mounting plate view



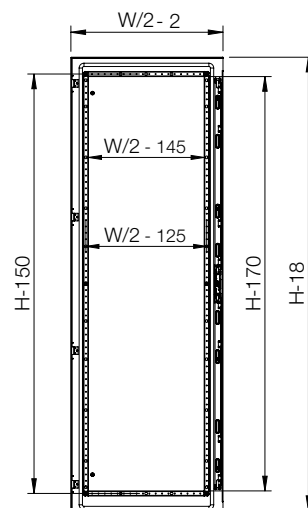
Sectional top view



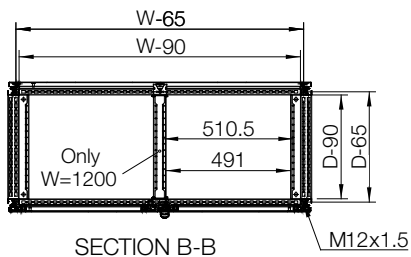
Inside left door view



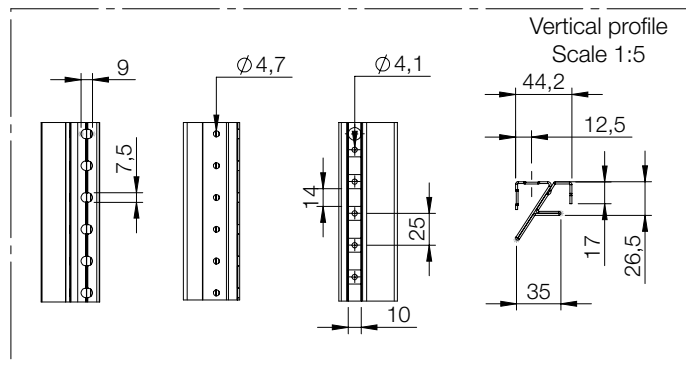
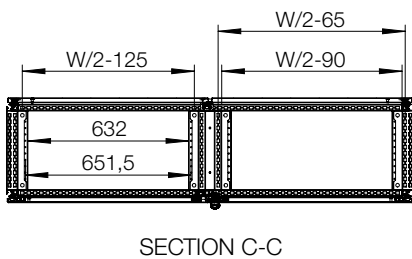
Inside right door view



Sectional top view  
(without bottom plates)



Sectional top view W=1600  
(without bottom plates)



## WITH MOUNTING PLATE

Enclosure dimensions			Mounting plate dimensions		Usable depth	
H	W	D	h	w	d	Item no.
1400	1200	500	1294	1094	459	MCD14125R5
1600	1200	500	1494	1094	459	MCD16125R5
1800	800	500	1694	694	459	MCD18085R5
1800	1000	400	1694	894	359	MCD18104R5
1800	1000	500	1694	894	459	MCD18105R5
1800	1200	400	1694	1094	359	MCD18124R5
1800	1200	500	1694	1094	459	MCD18125R5
1800	1200	600	1694	1094	559	MCD18126R5
1800	1600	400	1694	1494	359	MCD18164R5
1800	1600	500	1694	1494	459	MCD18165R5
1800	1800	500	1694	1694	459	MCD18185R5
1800	1800	600	1694	1694	559	MCD18186R5
2000	800	500	1894	694	459	MCD20085R5
2000	1000	400	1894	894	359	MCD20104R5
2000	1000	500	1894	894	459	MCD20105R5
2000	1000	600	1894	894	559	MCD20106R5
2000	1000	800	1894	894	759	MCD20108R5
2000	1200	400	1894	1094	359	MCD20124R5
2000	1200	500	1894	1094	459	MCD20125R5
2000	1200	600	1894	1094	559	MCD20126R5
2000	1200	800	1894	1094	759	MCD20128R5
2000	1600	400	1894	1494	359	MCD20164R5
2000	1600	500	1894	1494	459	MCD20165R5
2000	1600	600	1894	1494	559	MCD20166R5
2000	1800	500	1894	1694	459	MCD20185R5
2000	1800	600	1894	1694	559	MCD20186R5
2000	1800	800	1894	1694	759	MCD20188R5
2200	1000	600	2094	894	559	MCD22106R5
2200	1200	600	2094	1094	559	MCD22126R5
2200	1200	500	2094	1094	459	MCD22125R5
2200	1200	800	2094	1094	759	MCD22128R5
2200	1600	600	2094	1494	559	MCD22166R5

**North America**

Tel +1.800.545.6258  
Fax +1.800.527.5703  
info@nVent.com

**Europe, Middle East, Africa**

Tel +32.16.213.511  
Fax +32.16.213.603  
info@nVent.com

**Asia Pacific**

Tel +86.21.2412.1688  
Fax +86.21.5426.3167  
info@nVent.com

**Latin America**

Tel +1.713.868.4800  
Fax +1.713.868.2333  
info@nVent.com



Our powerful portfolio of brands:

**CADDY ERICO HOFFMAN RAYCHEM SCHROFF TRACER**