

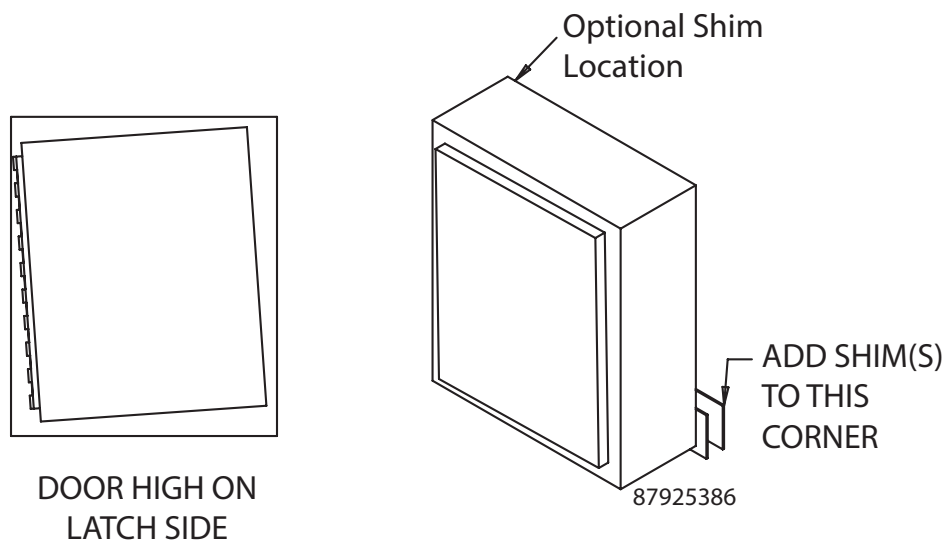
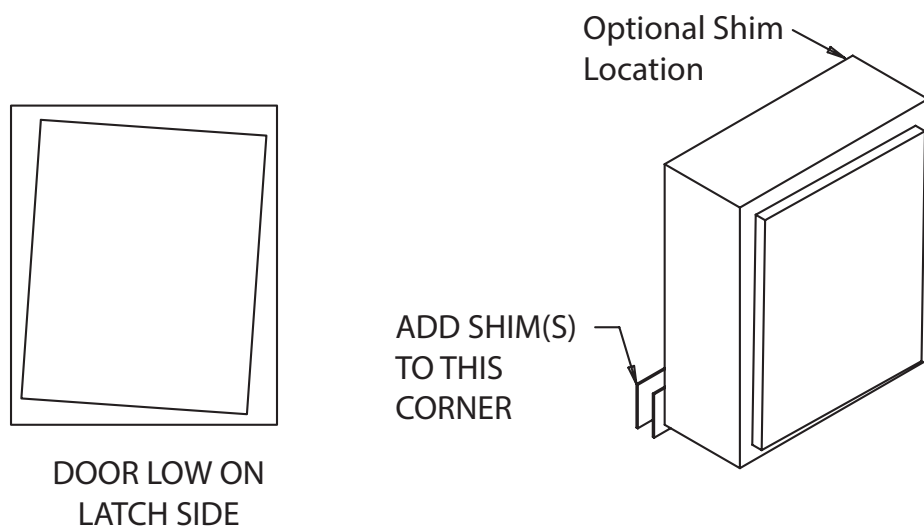
Guide to Mounting and Squaring Enclosures

nVent HOFFMAN'S industry-leading enclosures are designed to provide years of reliable service when properly mounted, leveled and maintained. The following recommendations will help ensure that Hoffman enclosures are installed correctly.

Wallmount and Unistrut Mounting

Wall-mount Enclosures Mounted on Walls or Unistrut Frames

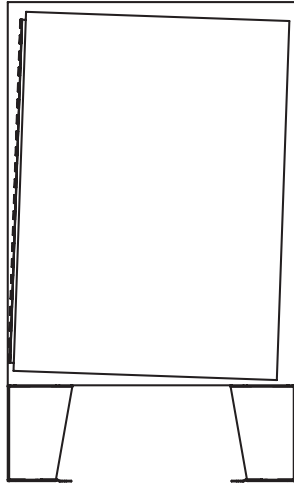
Hoffman wall-mount enclosures are designed for mounting on rigid, flat surfaces or walls. After mounting, add shims to enclosures as required to ensure the sealing contact surface and the enclosure are square. This is necessary for the door to close correctly and provide a reliable seal. To square enclosures mounted on a wall or Unistrut frame, add shims as shown below. Shims should be made of a material such as stainless steel, aluminum, nylon, or plastic to reduce corrosion.



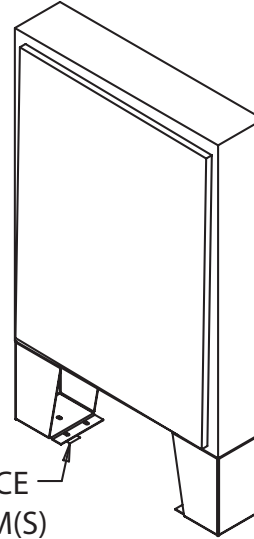
Wallmount with Floor Stand Kit

Wall-mount Enclosures Mounted on Floor Stand Leg Kits

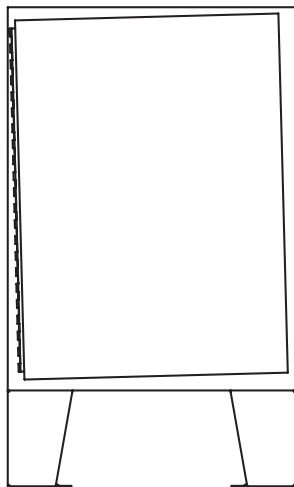
When an application requires mounting a wall-mount enclosure on floor stand legs, shims should be used as shown below to square the enclosure as needed. Shims should be made of stainless steel or aluminum to reduce corrosion and withstand the weight of the enclosure.



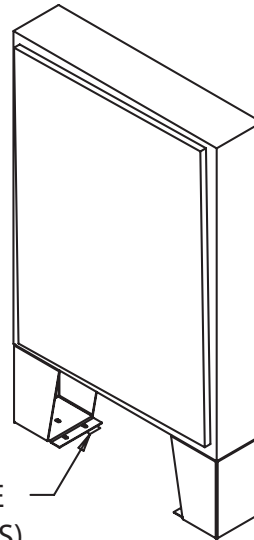
DOOR LOW ON
LATCH SIDE



PLACE
SHIM(S)
HERE



DOOR LOW ON
LATCH SIDE



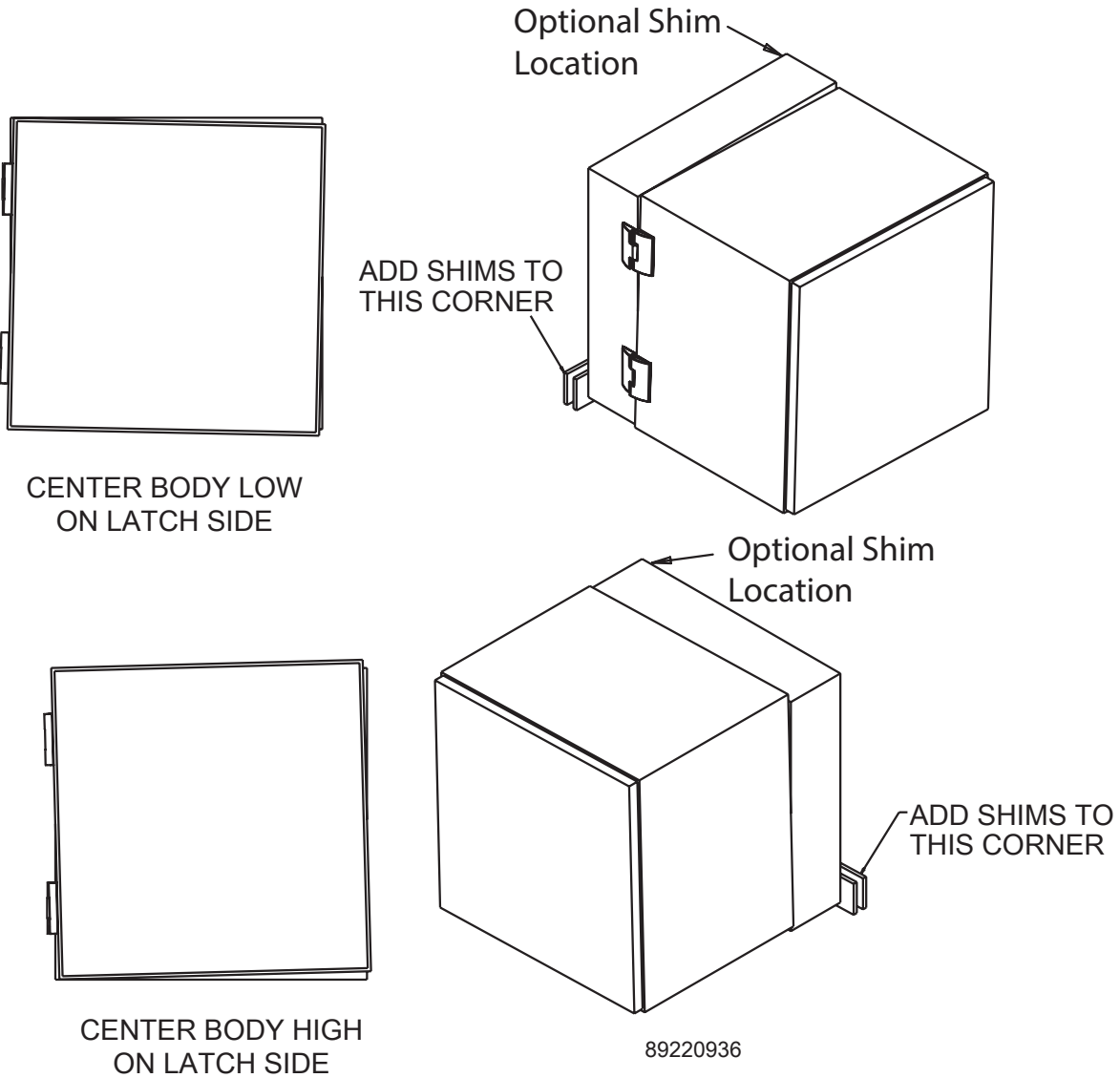
PLACE
SHIM(S)
HERE

87925387

Double-Hinge Mounting

Double-Hinge Enclosure Mounted on Walls or Unistrut Frames

Hoffman double-hinge enclosures are designed for mounting on rigid, flat surfaces or walls. After mounting, add shims to enclosures as required to ensure the sealing contact surface and the enclosure are square. This is necessary for the door to close correctly and provide a reliable seal. To square enclosures mounted on a wall or Unistrut frame, add shims as shown below. Shims should be made of a material such as stainless steel, aluminum, nylon, or plastic to reduce corrosion.



Large Floor-Stand Enclosures

Large Free-Stand Enclosures With Or Without Leg Kits

An enclosure's door sealing contact surface and the enclosure must be square in order to provide a reliable seal. To ensure a reliable seal, add shims as necessary to free-standing large enclosures and large enclosures with floor-stand legs. To properly level and square a large enclosure, add shims as shown below. Shims should be made of stainless steel or aluminum to reduce corrosion and withstand the weight of the enclosure.

