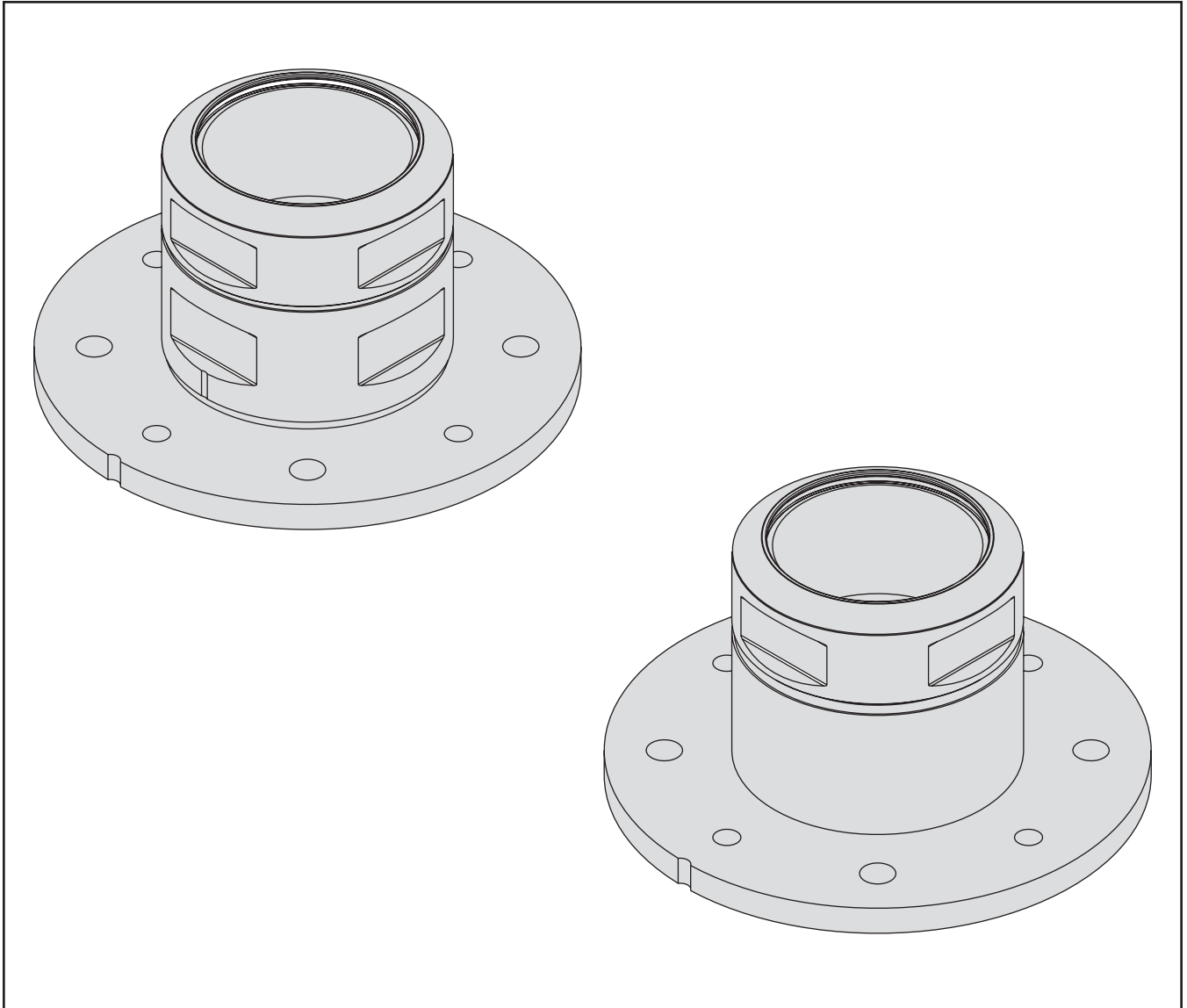
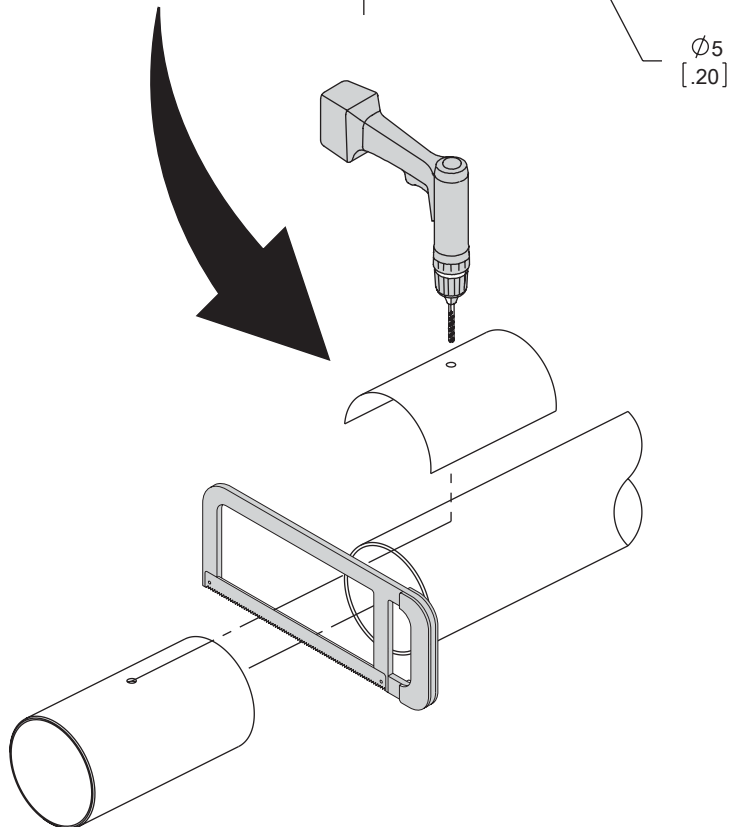
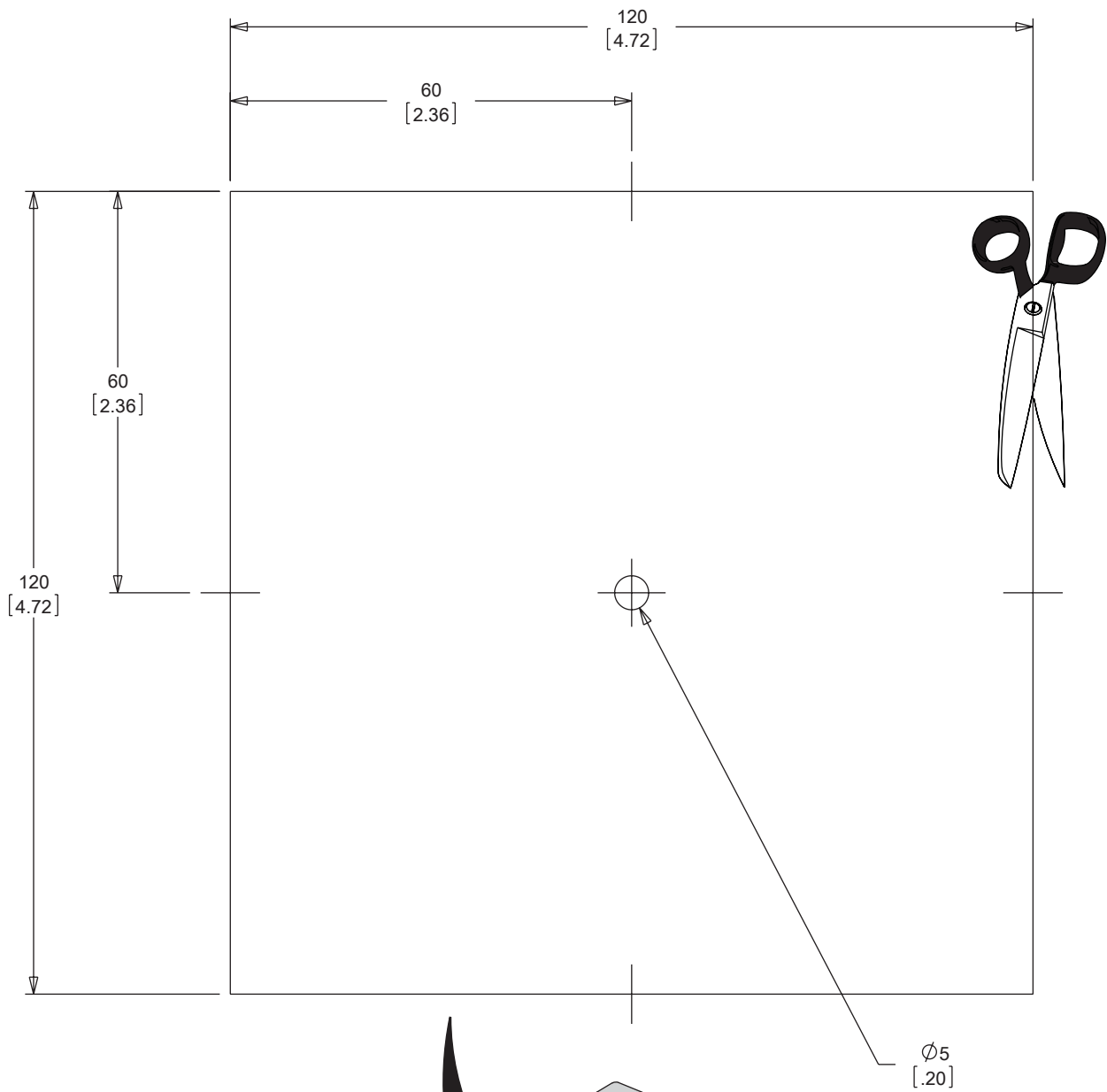
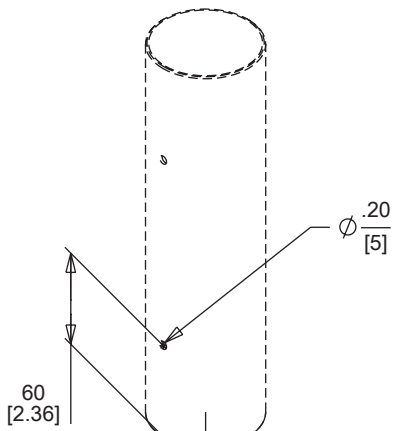


Syspend



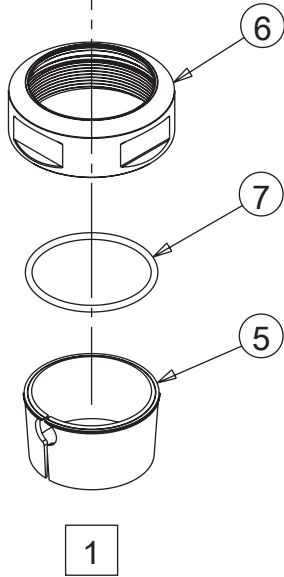




3

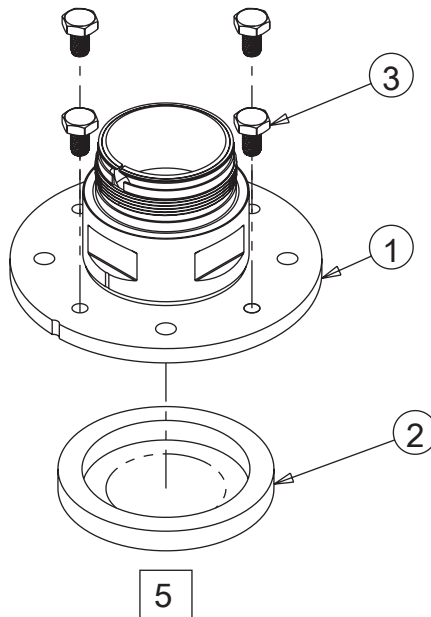
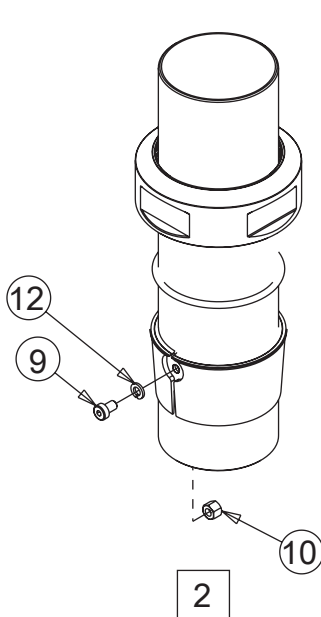


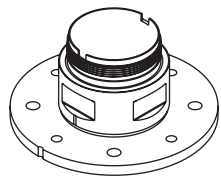
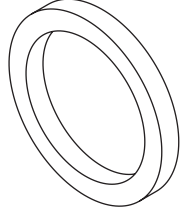
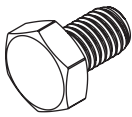
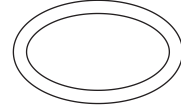

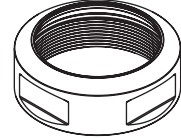
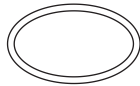
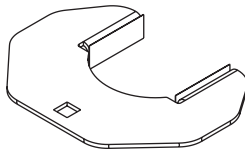


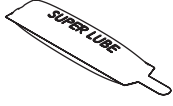

- 3a. Install tube/sleeve into fitting. Be sure safety screw is fully seated in fitting cutout.
- 3b. Push sleeve down into fitting until it is tight.
- 3c. Be sure top surface of sleeve is aligned at split or left side is lightly lower than right.
- 3d. Place o-rings in position dry.



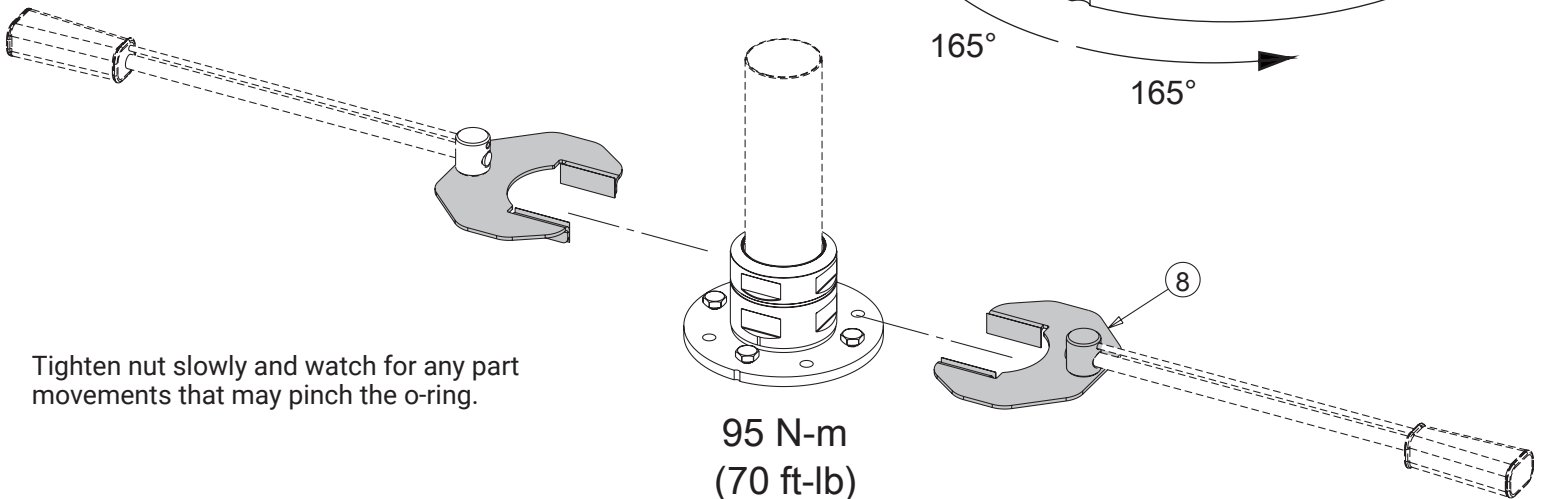
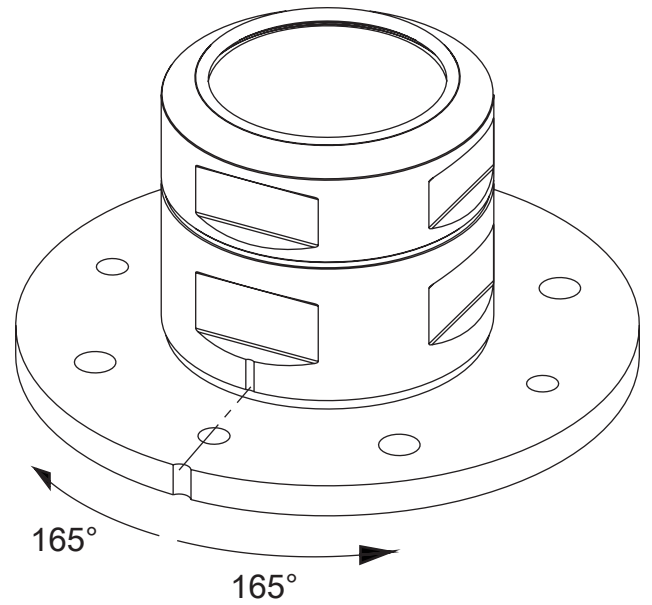
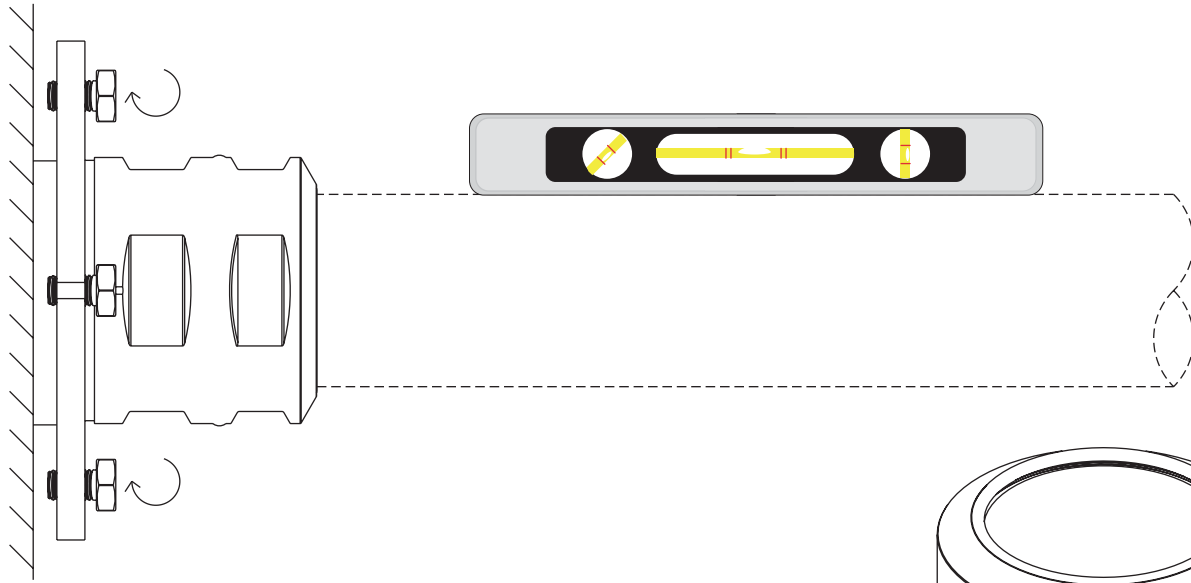
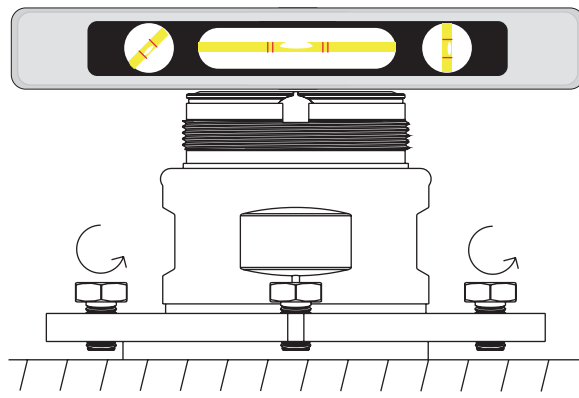
4

4a. Lube top surface of both o-rings (the surface the nut will contact).



1		(1x)	2		(1x)		
3	M10X16MM SS		(4x)	4		(1x)	
5		(1x)	6		(1x)		
7		(1x)	8		(1x)		
9	M5-.08X8MM SS		(1x)	10	M5		(1x)
11		(1x)	12	#10 SS		(1x)	

NEMA TYPE 4, 4X



Tighten nut slowly and watch for any part movements that may pinch the o-ring.

95 N-m
(70 ft-lb)