

Single Pole Devices and Temporary Power

400A, 600V AC/250V DC

Female Plug

Features

- Extra Long non-conductive inner sleeve
- Turn and Lock Symbol aids in the mating of devices
- Easily Identifiable Cable with cut off points for secure fit

Ordering Information

Description	Device Color	UPC	Catalog Number
400A, thermoplastic elastomer, cable size 2/0 - 4/0 AWG	Black	783585578859	HBL400FBKM1

Standards

UL and cUL Listed
UL Enclosure Types 3R, 4X, 12
National Electric Code (NEC), ANSI/NFPA 70

Specifications

Base Compound	Thermoplastic Elastomer
Contact Material	Brass
Retaining Screw Material	Nylon

Performance

Electrical	
Amperage Rating	400A Maximum
Voltage Ratings	600V AC Maximum; 250V DC Maximum

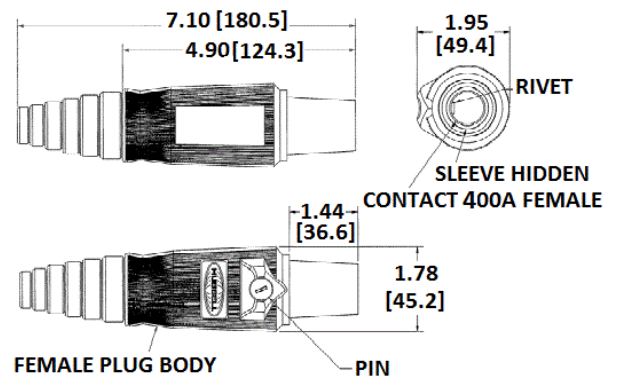
Mechanical	
Product Identification	Ratings are a permanent part of device
Terminal Accommodation	2/0 to 4/0 AWG

Environmental	
Flammability	HB per UL94 or CSA 22.2. 0.17

Online Resources

Customer Use Drawing
eCatalog
Installation Instructions

HUBBELL



Dimensions in Inches (mm)

Hubbell Wiring Device-Kellems • Hubbell Incorporated (Delaware) • 40 Waterview Drive • Shelton, CT 06484

Phone (800) 288-6000 • Fax (800) 255-1031 • Specifications subject to change without notice.

