



LIGHTING  
**EZL SERIES**

EXPLOSION-PROOF – INTRODUCTION & LOGIC

**HOSTILE<sup>ELITE</sup> LED**



Class I, Div. 1 & 2, Groups C,D  
Class I, Zones 1 & 2, Groups IIB, IIA  
Class II, Div. 1 & 2, Groups E,F,G  
Class III, Div. 1 & 2  
Suitable for wet locations  
Suitable for Paint Spray Booth  
Marine Rated (US only)  
Type 3, 4, 4X  
Factory Sealed

 Certified - File LR11713

**FEATURES-SPECIFICATIONS**

**Features**

- Explosion-proof with Traditional Industrial Appearance and Suitability
- Mounting choice – Pendant, ceiling, 25° stanchion or 90° wall mount, all with “wireless” design that allows fast, easy fixture installation or removal for maintenance.
- Accessories – Available with or without guard, standard dome or angle reflector
- EZL LED Housings can be retrofitted to existing EZ splice boxes; upgrade from Incandescent, Fluorescent or HID
- Energy Savings – Less than 130 Watts of Power
- LED Array Life – 100,000+ hours with 70% initial lumens
- Long Fixture Life – 50,000 - 55,000 maintenance free hours
- Crisp White Light for Excellent Color Rendering – Chromaticity 5000K (CCT range; approx. 70 CRI)
- Instant on – Including after power interruption
- Solder-LESS LED Board Connections – Vibration Resistant
- Factory Sealed Construction – No external seal required, simply wire mounting cap and thread-in fixture to install
- **Warm LED color option available with 3070**

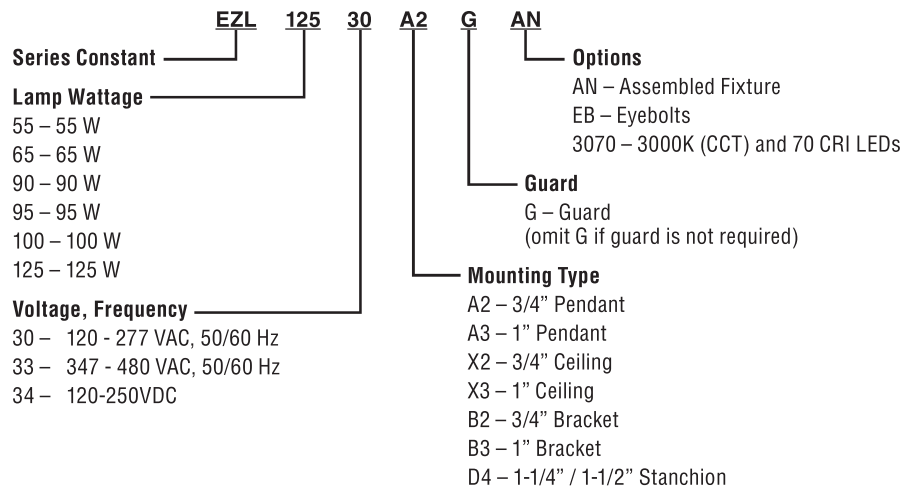
**Materials**

- Housing, splice box, and guards corrosion resistant copper-free aluminum alloy
- Baked powder epoxy/polyester finish, electorstatically applied for complete, uniform corrosion protection
- All external hardware – Stainless Steel
- Reflectors are aluminum with white finish

**Electrical Ratings**

- Ambient suitability -40°C to 55°C
- “World Voltage” 120-277VAC 50/60Hz

**CATALOG NUMBER LOGIC**





EXPLOSION PROOF – ORDERING INFORMATION, COMPONENTS & RATINGS



ORDERING INFORMATION AND AMBIENT SUITABILITY									
CATALOG NO.	WEIGHT LBS./KG	WATTS	VOLTAGE	AMPS	DELIVERED LUMENS	C1D1/C1Z1		C2D1	
						40°C	55°C	40°C	55°C
EZL5530	36 / 16.33	55	120-277VAC	0.46/0.20	5596	T6	T6	EFG	EFG
EZL6530		65	120-277VAC	0.54/0.23	6515	T6	T6	EFG	EFG
EZL9030		90	120-277VAC	0.75/0.32	7818	T6	T6	EFG	EFG
EZL9530		95	120-277VAC	0.79/0.34	9121	T6	T6	EFG	EFG
EZL10030		100	120-277VAC	0.83/0.36	10903	T6	XXX	EFG	XXX
EZL12530		125	120-277VAC	1.04/0.45	12720	T6	XXX	EFG	XXX

MOUNTING BOXES				
HUB SIZE	CATALOG NUMBER			
	PENDANT	CEILING	BRACKET	STANCHION
3/4"	EZA2	EZX2	EZB2	—
1"	EZA3	EZX3	EZB3	—
1-1/4"/1-1/2"	—	—	—	EZD4



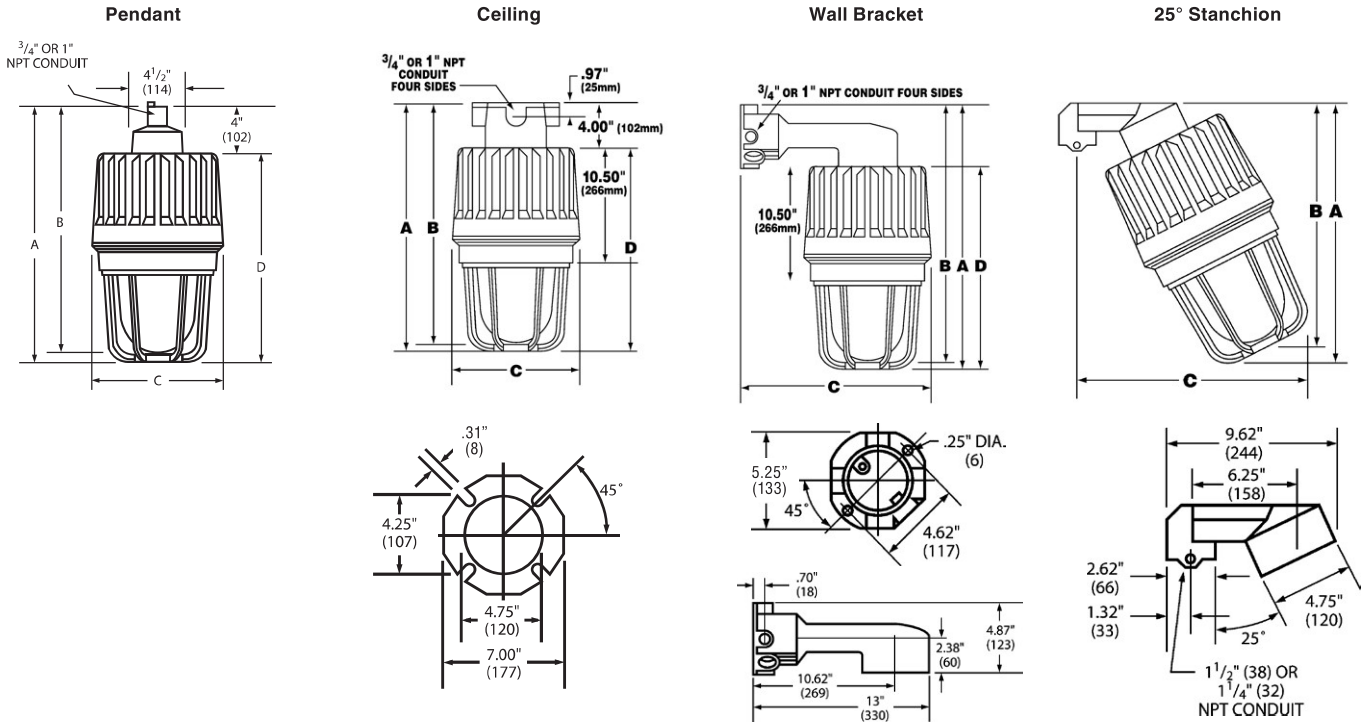
REFLECTORS	
CATALOG NUMBER	DESCRIPTION
VMPSD40	Standard dome, fiberglass reinforced polyester
VMPA40	30° Angle fiberglass reinforced polyester
HRD400	Deep dome. Aluminum with white finish
HRD400ALZ	Deep dome with specular anaodized finish





LIGHTING  
**EZ SERIES**

DIMENSIONS



**MOUNTING DIMENSIONS**

PENDANT		CEILING				BRACKET				STANCHION				
A	B	C	D	A	B	C	D	A	B	C	D	A	B	C
22" (558)	21-1/4" (539)	11-1/4" (285)	18" (457)	22" (558)	21-1/4" (539)	11-1/4" (285)	18" (457)	22-7/8" (580)	22-1/8" (561)	16-3/4" (425)	18" (457)	24-7/8" (631)	24" (609)	19-13/16" (503)

**Reflector Dimensions**

