

Innovative Connections

Super Fittings



Atkore[™]
Allied Tube
& Conduit

Universal Super Fitting® 3-Piece Coupling

Applications

- Used to join two lengths of conduit; couples conduit when conduit cannot be turned
- Threaded GRC/IMC to Threaded GRC/IMC
- Threaded GRC/IMC to Unthreaded GRC/IMC
- Threaded GRC/IMC to PVC
- Threaded GRC/IMC to Thin Wall EMT (2½' to 4")

Features

- UL Listed Concrete-Tight
- Ease of installation/quick-connect
- Universal connecting - threaded or unthreaded,
- No need to turn conduit
- Self-Alignment (no tools needed)
- Eliminates field threading
- Fits PVC Schedule 40 and Schedule 80

Standard Materials

- Steel

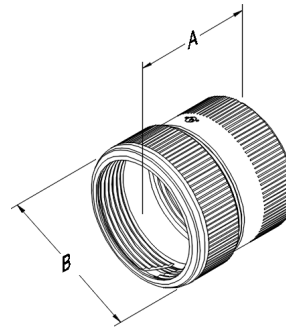
Standard Finish

- Zinc plated

Applicable Third Party Standards

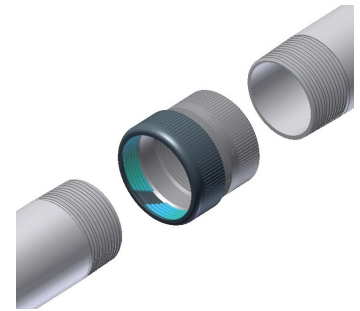
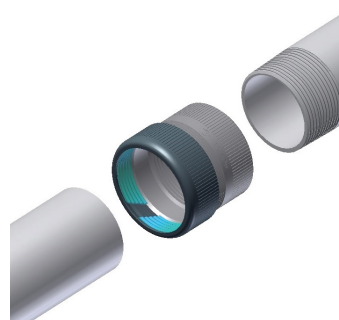
- UL U.S. listed UL 514B; C22.2 No. 18.3-12
- UL Listed File # E207875

U.S. Patent No. 8.586.881



Threaded GRC / IMC to Unthreaded GRC / IMC / EMT / PVC

Threaded GRC / IMC to Threaded GRC / IMC



Note 1: *Permitted for use in Class I Div. 2 locations per NEC501.10 (B) (1) and in Class II Div. 2 locations per NEC 502.10 (B) (1)

Catalog Number	Replaces Part Number	Trade Size (in)	Dim A (in)	Dim B (in)	Inner Pack	Master Pack	Weight Per C (lb)
SEC50KON*	EC50KON	½	1.56	1.25	25	100	20
SEC75KON*	EC75KON	¾	1.62	1.45	25	100	23
SEC100KON*	EC100KON	1	1.96	1.71	10	50	36
SEC125KON*	EC125KON	1¼	2.08	2.07	5	25	46
SEC150KON*	EC150KON	1½	2.12	2.32	5	25	55
SEC200KON*	EC200KON	2	2.19	2.80	2	10	70
SEC250KON**	EC250KON	2½	3.19	3.45	2	—	170
SEC300KON**	EC300KON	3	3.31	4.08	1	—	210
SEC350KON**	EC350KON	3½	3.55	4.59	1	—	270
SEC400KON**	EC400KON	4	3.92	5.24	1	—	370
SEC500KON*	EC500KON	5	5.38	6.25	1	—	538

* Use with Rigid, IMC, and PVC

** Use with Rigid, IMC, EMT, and PVC

Universal Super Fitting® 3-Piece Coupling Raintight

Applications

- Used to join two lengths of conduit; couples conduit when conduit cannot be turned
- Suitable for outdoor applications
- Threaded GRC/IMC to Threaded GRC/IMC
- Threaded GRC/IMC to Unthreaded GRC/IMC
- Threaded GRC/IMC to Thin Wall EMT (2½" - 4")
- Threader GRC/IMC to PVC

Features

- UL Listed for wet locations
- Ease of installation/quick-connect
- Universal connecting - threaded or unthreaded
- No need to turn conduit
- Self-Alignment (no tools needed)
- Eliminates field threading

Standard Materials

- Steel, Nylon, Neoprene

Standard Finish

- Zinc plated

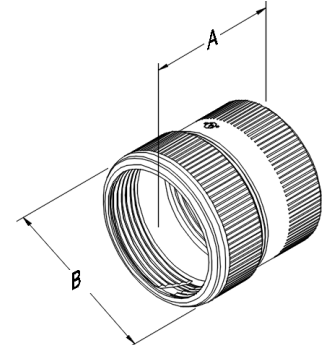
Applicable Third Party Standards

- UL U.S. listed UL 514B; C22.2 No. 18.3-12
- UL Listed File # E207875

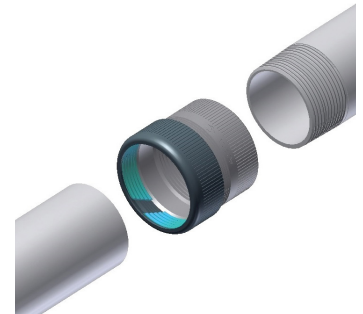
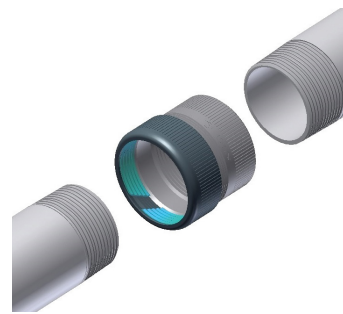
U.S. Patent No. 8.586.881



Threaded GRC / IMC to Threaded GRC / IMC



Threaded GRC/ IMC to Unthreaded GRC/IMC/ EMT



Note 1: *Permitted for use in Class I Div. 2 locations per NEC501.10 (B) (1) and in Class II Div. 2 locations per NEC 502.10 (B) (1)

Note 2: *Permitted for use in direct contact with earth per NEC 344.10 (B) (1)

Catalog Number	Replaces Part Number	Trade Size (in)	Dim A (in)	Dim B (in)	Inner Pack	Master Pack	Weight Per C (lb)
SECR50KON*	EC50KON	½	2.11	1.25	25	100	24.5
SECR75KON*	EC75KON	¾	2.08	1.45	25	100	28.5
SECR100KON*	EC100KON	1	2.46	1.71	10	50	43.2
SECR125KON*	EC125KON	1¼	2.60	2.07	5	25	58.6
SECR150KON*	EC150KON	1½	2.64	2.32	5	25	67.0
SECR200KON*	EC200KON	2	2.70	2.80	2	10	84.0
SECR250KON**	EC250KON	2½	3.90	3.45	2	—	175.0
SECR300KON**	EC300KON	3	4.02	4.08	1	—	211.0
SECR350KON**	EC350KON	3½	4.33	4.59	1	—	271.5
SECR400KON**	EC400KON	4	4.44	5.24	1	—	371.5
SECR500KON^	EC500KON	5	5.63	6.25	1	—	540.0

* Use with Rigid, IMC, and PVC

** Use with Rigid, IMC, EMT, and PVC

^UL approved for threaded to threaded only



Universal Super Fitting® Connector

Applications

- Used to join conduit to a metal enclosure
- Metal Enclosure to Threaded GRC/IMC
- Metal Enclosure to Unthreaded GRC/IMC
- Metal Enclosure to PVC
- Metal Enclosure to Thin Wall EMT (2½" to 4")

Features

- UL Listed Concrete-Tight
- Ease of installation/quick-connect
- Universal connecting - threaded or unthreaded
- No need to turn conduit
- Self-Alignment (no tools needed)
- Eliminates field threading
- Fits GRC/IMC/EMT (fits all UL approved metal pipe)
- Fits PVC Schedule 40 and Schedule 80
- Lightweight

Standard Materials

- Steel

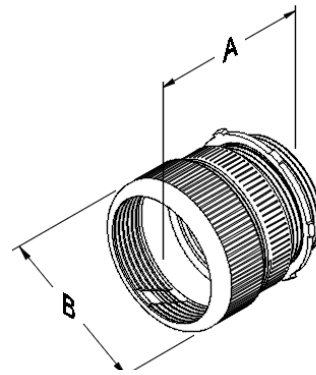
Standard Finish

- Zinc plated

Applicable Third Party Standards

- UL U.S. Listed UL 514B; C22.2 No. 18.3-12
- UL Listed File # E207875

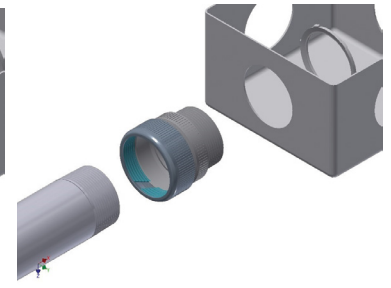
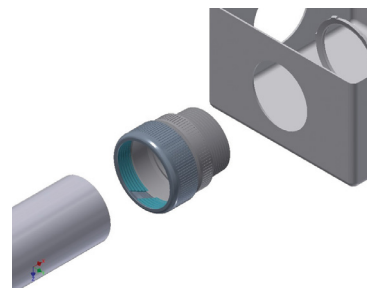
U.S. Patent No. 8.586.881



Unthreaded GRC/IMC/
EMT/PVC
to Metal Box



Threaded GRC/IMC
to Metal Box



Note 1: *Permitted for use in Class I Div. 2 locations per NEC501.10 (B) (1) and in Class II Div. 2 locations per NEC 502.10 (B) (1)

Catalog Number	Replaces Part Number	Trade Size (in)	Dim A (in)	Dim B (in)	Inner Pack	Master Pack	Weight Per C (lb)
SRCC50KON*	RCC50KON	½	1.83	1.24	25	100	22.6
SRCC75KON*	RCC75KON	¾	1.87	1.44	25	100	28.0
SRCC100KON*	RCC100KON	1	2.11	1.72	10	50	38.2
SRCC125KON*	RCC125KON	1¼	2.33	2.07	5	25	57.2
SRCC150KON*	RCC150KON	1½	2.42	2.32	5	25	69.4
SRCC200KON*	RCC200KON	2	2.50	2.80	2	10	87.4
SRCC250KON**	RCC250KON	2½	3.46	3.45	2	—	210.0
SRCC300KON**	RCC300KON	3	3.49	4.08	1	—	270.0
SRCC350KON**	RCC350KON	3½	3.73	4.59	1	—	340.0
SRCC400KON**	RCC400KON	4	3.81	5.09	1	—	390.0

* Use with Rigid, IMC, and PVC

** Use with Rigid, IMC, EMT, and PVC

Universal Super Fitting® Connector Raintight

Applications

- Used to join conduit to a metal enclosure
- Metal Enclosure to Threaded GRC/IMC
- Metal Enclosure to Unthreaded GRC/IMC
- Metal Enclosure to PVC
- Metal Enclosure to Thin Wall EMT(2½" to 4")

Features

- UL Listed for wet locations
- Suitable for direct burial applications
- Ease of installation/quick-connect
- Universal connecting - threaded or unthreaded
- No need to turn conduit
- Self-Alignment (no tools needed)
- Eliminates field threading

Standard Materials

- Steel, Nylon, Neoprene

Standard Finish

- Zinc plated

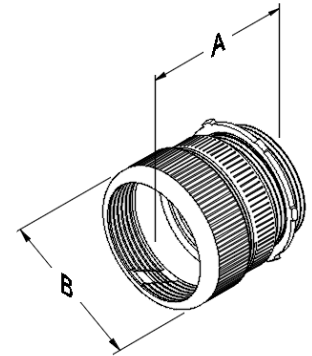
Applicable Third Party Standards

- UL U.S. Listed UL 514B; C22.2 No. 18.3-12
- UL Listed File # E207875

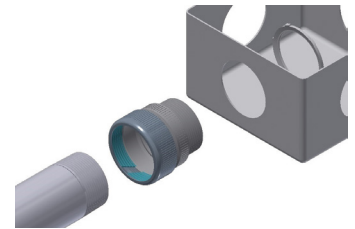
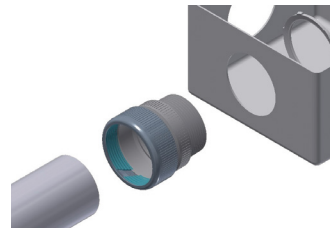
U.S. Patent No. 8.586.881



Unthreaded GRC/IMC/
EMT
to Metal Box



Threaded GRC/
IMC
to Metal Box



Note 1: *Permitted for use in Class I Div. 2 locations per NEC501.10 (B) (1) and in Class II Div. 2 locations per NEC 502.10 (B) (1)

Note 2: *Permitted for use in direct contact with earth per NEC 344.10 (B) (1)

Catalog Number	Replaces Part Number	Trade Size (in)	Dim A (in)	Dim B (in)	Inner Pack	Master Pack	Weight Per C (lb)
SRCCR50KON*	RCC50KON	½	2.11	1.24	25	100	25.4
SRCCR75KON*	RCC75KON	¾	2.15	1.44	25	100	31.6
SRCCR100KON*	RCC100KON	1	2.33	1.72	10	50	42.2
SRCCR125KON*	RCC125KON	1¼	2.64	2.07	5	25	63.6
SRCCR150KON*	RCC150KON	1½	2.73	2.32	5	25	75.4
SRCCR200KON*	RCC200KON	2	2.81	2.80	2	10	102.4
SRCCR250KON**	RCC250KON	2½	3.56	3.45	2	—	220.0
SRCCR300KON**	RCC300KON	3	3.59	4.08	1	—	280.0
SRCCR350KON**	RCC350KON	3½	3.83	4.59	1	—	350.0
SRCCR400KON**	RCC400KON	4	3.91	5.09	1	—	400.0

* Use with Rigid, IMC, and PVC

** Use with Rigid, IMC, EMT, and PVC



Universal Super Fitting® 5-Piece Coupling

Applications

- Used to join two lengths of conduit; couples conduit when conduit cannot be turned
- Threaded GRC/IMC to Threaded GRC/IMC
- Threaded GRC/IMC to Unthreaded GRC/IMC/EMT/PVC (2½" to 4")
- Unthreaded GRC/IMC/EMT/PVC to Unthreaded GRC/IMC/EMT/PVC

Features

- UL Listed Concrete-Tight
- Ease of installation/quick-connect
- Universal connecting - threaded to threaded, or threaded to unthreaded
- No need to turn conduit
- Self-Alignment (no tools needed)
- Eliminates field threading
- Fits GRC/IMC/EMT (fits all UL approved metal conduit)
- Fits PVC Schedule 40 and Schedule 80

Standard Materials

- Steel

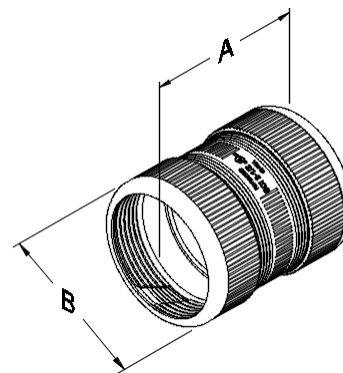
Standard Finish

- Zinc plated

Applicable Third Party Standards

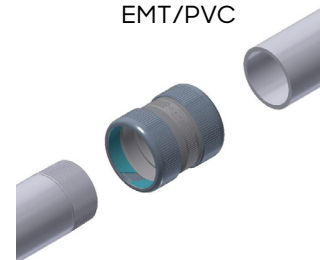
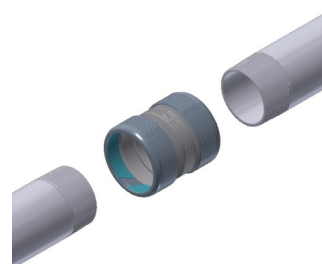
- UL U.S. listed UL 514B; C22.2 No. 18.3-12
- UL Listed File # E207875

U.S. Patent No. 8.586.881



Threaded GRC/IMC to Threaded GRC/IMC

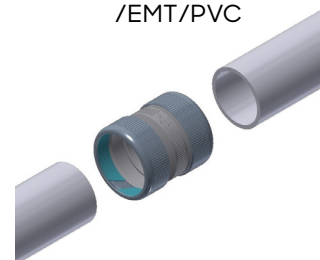
Threaded GRC/IMC to Unthreaded GRC/IMC/EMT/PVC



Unthreaded GRC/IMC/EMT/PVC to Unthreaded GRC/IMC/EMT/PVC



Note 1: *Permitted for use in Class I Div. 2 locations per NEC501.10 (B) (1) and in Class II Div. 2 locations per NEC 502.10 (B) (1)



Catalog Number	Replaces Part Number	Trade Size (in)	Dim A (in)	Dim B (in)	Inner Pack	Master Pack	Weight Per C (lb)
SRCK50KON*	RCK50KON	½	1.47	1.24	25	100	28.0
SRCK75KON*	RCK75KON	¾	1.49	1.44	25	100	33.2
SRCK100KON*	RCK100KON	1	1.73	1.72	10	50	42.8
SRCK125KON*	RCK125KON	1¼	1.92	2.07	5	25	66.8
SRCK150KON*	RCK150KON	1½	2.00	2.32	5	25	78.0
SRCK200KON*	RCK200KON	2	2.00	2.80	2	10	98.4
SRCK250KON**	RCK250KON	2½	4.12	3.45	2	—	230.0
SRCK300KON**	RCK300KON	3	4.16	4.08	1	—	290.0
SRCK350KON**	RCK350KON	3½	4.45	4.59	1	—	380.0
SRCK400KON**	RCK400KON	4	4.50	5.09	1	—	430.0

* Use with Rigid, IMC, and PVC

** Use with Rigid, IMC, EMT, and PVC

Universal Super Fitting® 5-Piece Coupling Raintight

Applications

- Used to join two lengths of conduit; couples conduit when conduit cannot be turned
- Suitable for outdoor applications
- Threaded GRC/IMC to Threaded GRC/IMC
- Threaded GRC/IMC to Unthreaded GRC/IMC/EMT
- Unthreaded GRC/IMC/EMT to Unthreaded GRC/IMC/EMT/PVC (2½" - 4")

Features

- UL Listed for wet locations
- Suitable for direct burial applications
- Ease of installation/quick-connect
- Universal connecting - threaded to threaded, or threaded to unthreaded
- No need to turn conduit
- Self-Alignment (no tools needed)
- Eliminates field threading
- Fits GRC/IMC/EMT (fits all UL approved metal conduit)

Standard Materials

- Steel, Nylon, Neoprene

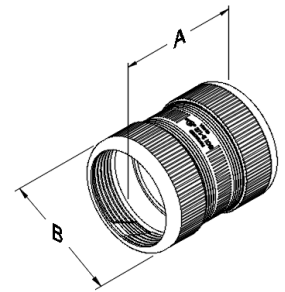
Standard Finish

- Zinc plated

Applicable Third Party Standards

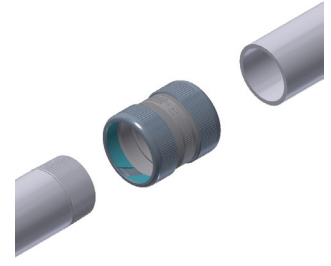
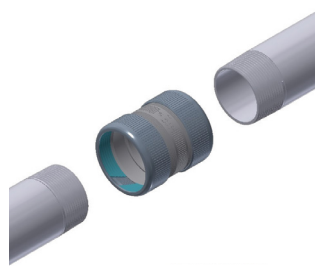
- UL U.S. listed UL 514B; C22.2 No. 18.3-12
- UL Listed File # E207875

U.S. Patent No. 8.586.881

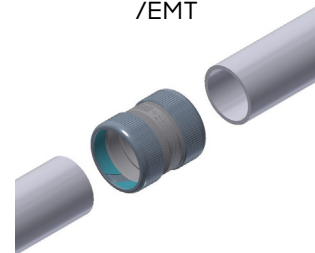


Threaded GRC/IMC
to Threaded GRC/IMC

Threaded GRC/IMC to
Unthreaded GRC/IMC/EMT



Unthreaded GRC/IMC
/EMT
to Unthreaded GRC/IMC
/EMT



Note 1: *Permitted for use in Class I Div. 2 locations per NEC 501.10 (B) (1) and in Class II Div. 2 locations per NEC 502.10 (B) (1)

Note 2: *Permitted for use in direct contact with earth per NEC 344.10 (B) (1)

Catalog Number	Replaces Part Number	Trade Size (in)	Dim A (in)	Dim B (in)	Inner Pack	Master Pack	Weight Per C (lb)
SRCKR50KON*	RCK50KON	½	2.67	1.24	25	100	0.338
SRCKR75KON*	RCK75KON	¾	2.68	1.44	25	100	0.408
SRCKR100KON*	RCK100KON	1	2.96	1.72	10	50	0.508
SRCKR125KON*	RCK125KON	1¼	3.36	2.07	5	25	0.800
SRCKR150KON*	RCK150KON	1½	3.44	2.32	5	25	0.939
SRCKR200KON*	RCK200KON	2	3.44	2.80	2	10	1.102
SRCKR250KON**	RCK250KON	2½	4.22	3.45	—	2	2.400
SRCKR300KON**	RCK300KON	3	4.26	4.08	—	1	3.000
SRCKR350KON**	RCK350KON	3½	4.55	4.59	—	1	3.900
SRCKR400KON**	RCK400KON	4	4.60	5.09	—	1	4.400

* Use with Rigid, IMC, and PVC

** Use with Rigid, IMC, EMT, and PVC





**BUILDING BETTER
TOGETHER**