

MDS6-AX

Item Description

60 Amp Non-Fused PowerSwitch Stainless Steel Disconnect Switch, 600 Volt, Type 304 Non-Magnetic Stainless Steel Enclosure



UPC Code: 07847774039

Country Of Origin: Mexico

Technical Information

Electrical Specifications

Amperage: 60 A

Current Interrupting: Certified for full-rated current and voltage

Dielectric Voltage: 1000 V plus twice rated voltage for 1 minute

Endurance: 6,000 cycles inductive motor type load

Short Circuit Current Rating: 100KA

Voltage: 600 VAC

Environmental Specifications

Operating Temperature: -40°C to 75°C

UV Resistance: Exposed materials are UV stabilized

Material Specifications

tsa_Enclosure_Screws: Stainless Steel

tsa_Mounting_Feet: 14 Gauge Type 304 Stainless Steel

Enclosure Material: 16 Gauge Type 304 Stainless Steel

Gasket: Polyurethane Formed-In-Place-Foam Gasket (FIPFG), UL 50E Approved

Handle Material: Base: PBT Overmold: TPE

Mechanical Specifications

Product ID: Part of internal and external label

Terminal Accom.: 14 - 4 AWG

Terminal ID: In accordance with UL and international conventions

Standards and Certifications

tsa_ISO: 20653

tsa_NSF: 14159-1 Hygienic Requirement for the Design of Meat & Poultry Processing Equipment

CE: CE Marked - Low Voltage Directive (LVD) 2014/35/EU

cULus: Listed to UL 60947-4-1 (supersedes UL 508) and CSA-C22.2 no. 60947-4-1

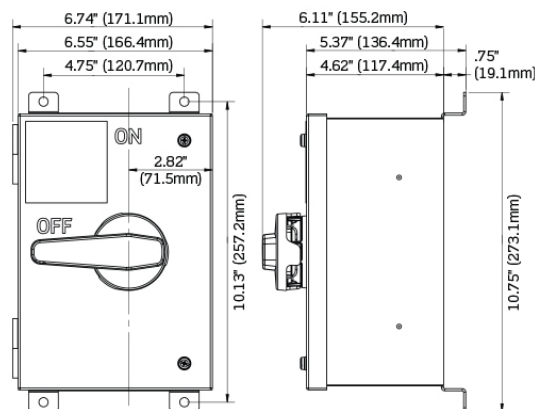
IEC: 60529

NEMA: 250

NOM: NOM-ANCE

Warranty

Warranty: 3 Year Limited Warranty



SPECIFICATION SUBMITTAL

JOB NAME:	CATALOG NUMBERS:	
<input type="text"/>	<input type="text"/>	<input type="text"/>
JOB NUMBER:	<input type="text"/>	<input type="text"/>

Leviton Manufacturing Co., Inc.

201 North Service Road, Melville, NY 11747

Teléfono: +1-800-323-8920 · FAX: +1-800-832-9538 · Tech Line (8:30AM-7:30PM E.S.T. Monday-Friday): +1-800-824-3005

Leviton Manufacturing of Canada, Ltd.

165 Hymus Boulevard, Pointe Claire, Quebec H9R 1E9 · Telephone: +1-800-469-7890 ·

FAX: +1-800-824-3005 · www.leviton.com/canada

Leviton S. de R.L. de C.V.

Lago Tana 43, Mexico DF, Mexico CP 11290 · Tel.: (+52)55-5082-1040 · FAX: (+52)5386-

1797 · www.leviton.com.mx

Visit our Website at: www.leviton.com

© 2018 Leviton Manufacturing Co., Inc. Todos los derechos reservados. Subject to change without notice.

Leviton has a global presence.

If you would like to know where your local Leviton office is located please go to:

www.leviton.com/international/contacts/

