

PRODUCT INFORMATION PACKET



Model No: 056C17E5314

Catalog No: G639

Explosion Proof Motor, 0.25 HP, 1 Ph, 60 Hz, 115/230 V, 1800 RPM, 56 Frame, EPNV

Operational at 115/208-230 V @60HZ



Regal and LEESON are trademarks of Regal Rexnord Corporation or one of its affiliated companies.
©2025 Regal Rexnord Corporation, All Rights Reserved. MC017097E



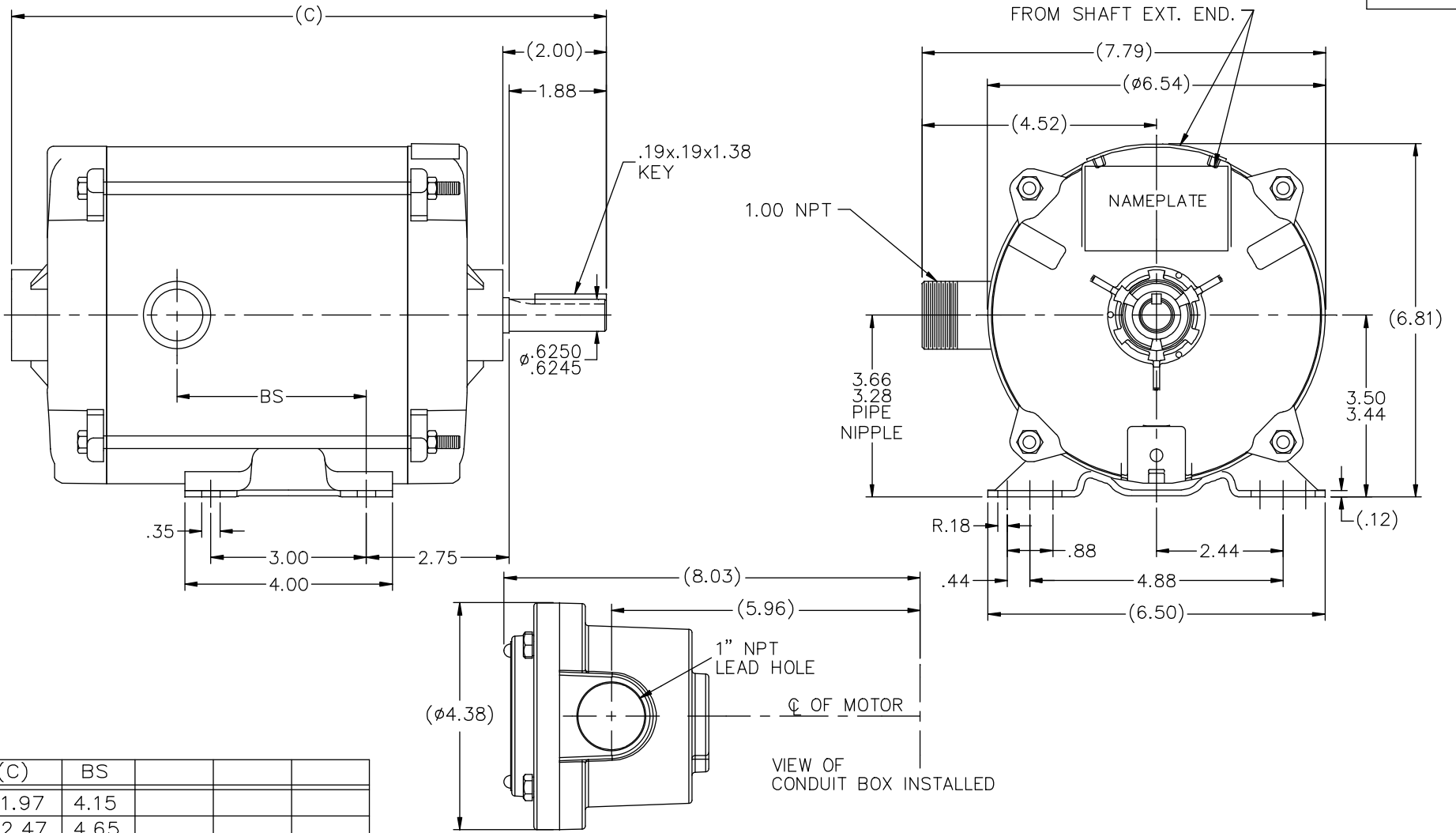


Nameplate Specifications

Phase	1	Output HP	0.25 Hp
Output KW	0.19 kW	Voltage	115/230 V
Speed	1725 rpm	Service Factor	1.00
Frame	56	Enclosure	Explosion Proof Non Ventilated
Thermal Protection	Automatic	Efficiency	65 %
Ambient Temperature	40 °C	Frequency	60 Hz
Current	4.8/2.4 A	Power Factor	60
Duty	Continuous	Insulation Class	B
Design Code	NO DESIGN CODE	KVA Code	P
Drive End Bearing Size	6203	Opp Drive End Bearing Size	6203
UL	UL Listed And CSA Certified	CSA	Y
CE	N	IP Code	54
Number of Speeds	1	Hazardous Location	DIV 1 EXP PROOF CL I GR CD CL II GR FG T3B

Technical Specifications

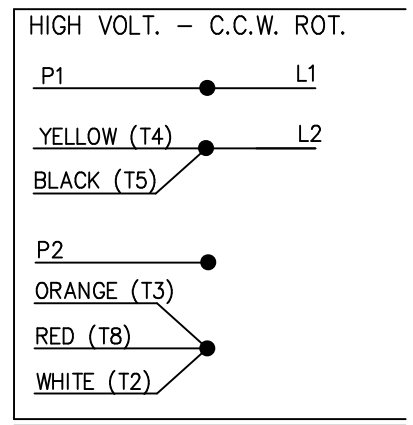
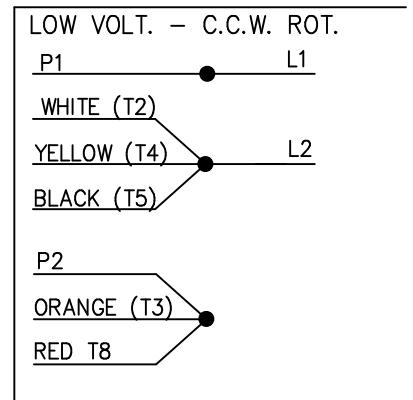
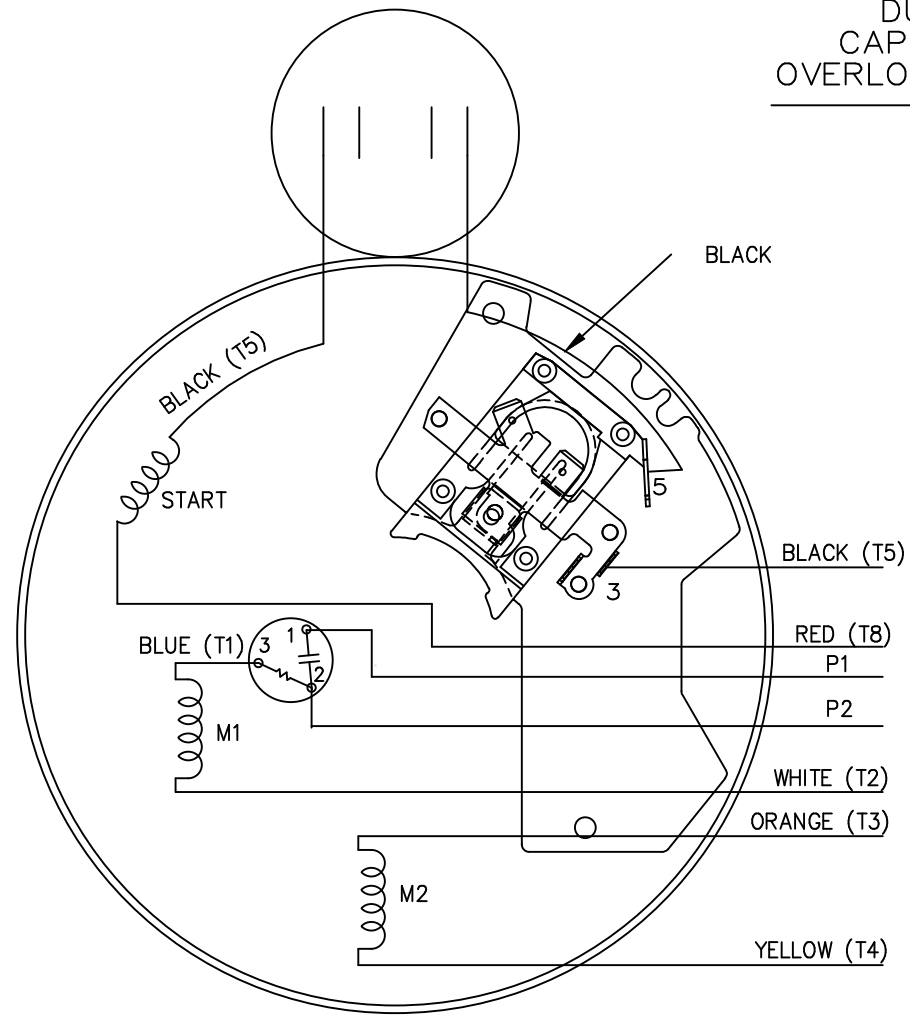
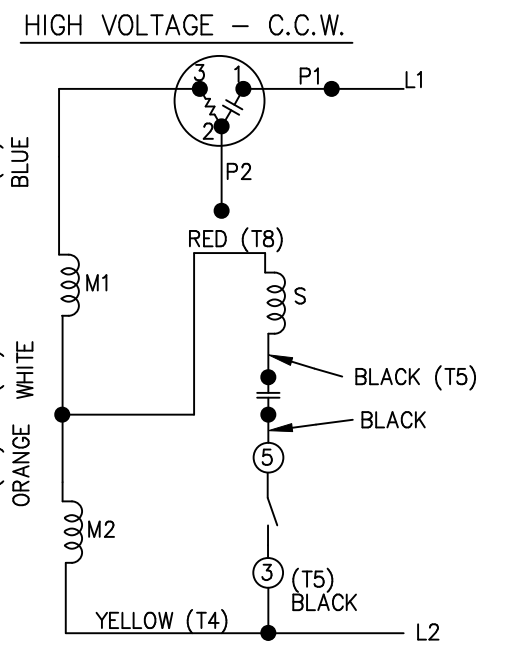
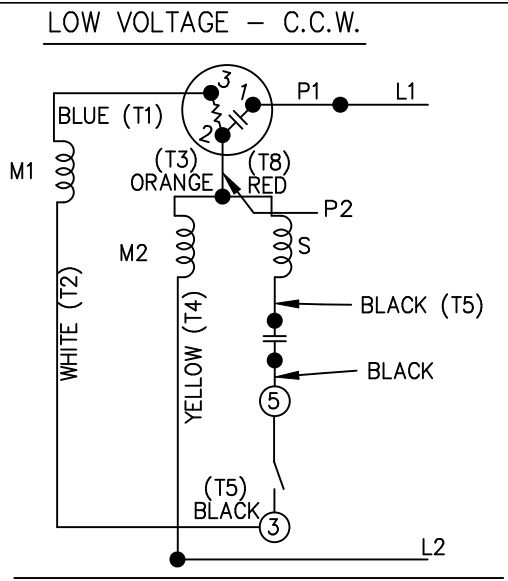
Electrical Type	Capacitor Start Induction Run	Starting Method	Across The Line
Poles	4	Rotation	Selective Counterclockwise
Resistance Main	0 Ohms	Mounting	Rigid Base
Motor Orientation	Horizontal	Drive End Bearing	Ball
Opp Drive End Bearing	Ball	Frame Material	Rolled Steel
Shaft Type	NEMA 56	Overall Length	11.97 in
Frame Length	6.31 in	Shaft Diameter	0.625 in
Shaft Extension	2 in	Assembly/Box Mounting	F1 ONLY
Connection Drawing	102005-84	Outline Drawing	B-104196-631



DASH	(C)	BS		
631	11.97	4.15		
681	12.47	4.65		
731	12.97	5.15		
781	13.47	5.65		
831	13.97	6.15		
881	14.47	6.65		
931	14.97	7.15		
981	15.47	7.65		

				TOLERANCES UNLESS SPECIFIED		Lincoln MOTORS	DRAWN CTO 07-19-2000				
				DEC.	INCHES		CHK	ML	07-19-2000		
				.X	$\pm .1$		APPD	GK	07-19-2000		
3	COND. BOX INSTALLED VIEW UPDATED PER ECR-0044571	UD	10/15/13	ST	.XX	$\pm .03$	TITLE OUTLINE				
2	REVISED C'BOX PER CN 40784A	JJB	02-26-2007	ML	.XXX	$\pm .005$	56 FRAME - EXP. PR. - TENV - 1 ϕ & 3 ϕ				
1	NEW DRAWING	CTO	07-19-2000		.XXXX	$\pm .0005$	MATT'L.				
NO.	REVISION	BY & DATE		CHK	ANG	$\pm 7'30"$	FINISH				
THIS DRAWING IN DESIGN AND DETAIL IS OUR PROPERTY AND MUST NOT BE USED EXCEPT IN CONNECTION WITH OUR WORK ALL RIGHTS OF DESIGN AND INVENTION ARE RESERVED THIS IS AN ELECTRONICALLY GENERATED DOCUMENT - DO NOT SCALE THIS PRINT				RFP	CAD FILE 104196LN			SIZE	DRAWING NO.	PAGE OF	REV.
				DIST	WP				B	104196LN	3

DUAL VOLTAGE
CAPACITOR START
OVERLOAD SELECT ROT.



FOR C.W. ROTATION
EITHER VOLTAGE
INTERCHANGE RED(T8)
WITH BLACK(T5) LEAD

(T# LEADS WHEN CALLED FOR ON BILL OF MATERIAL)

				TOLERANCES UNLESS SPECIFIED		Dayton Electric Mfg. Co. 5959 West Howard St. Niles, IL 60714 USA	DRAWN NB 102005		
				DEC.	INCHES		CHK SP 102005		
				.X	±.1		APPD NB 102005		
				.XX	±.02		SCALE 5=8		
				.XXX	±.005		REF 102005-84-GE		
				.XXXX	±.0005	MAT'L.			
				ANG	±7'30"	FINISH			
				RFP 102005		CAD FILE 102005_84_wd			
				DIST WP		SIZE A	DRAWING NO. 102005-84-WD	PAGE OF	REV.

THIS DRAWING IN DESIGN AND DETAIL IS OUR PROPERTY AND MUST NOT BE USED EXCEPT IN CONNECTION WITH OUR WORK ALL RIGHTS OF DESIGN AND INVENTION ARE RESERVED THIS IS AN ELECTRONICALLY GENERATED DOCUMENT - DO NOT SCALE THIS PRINT



REGAL REXNORD CORPORATION
TYPICAL PERFORMANCE CURVE for AC MOTOR

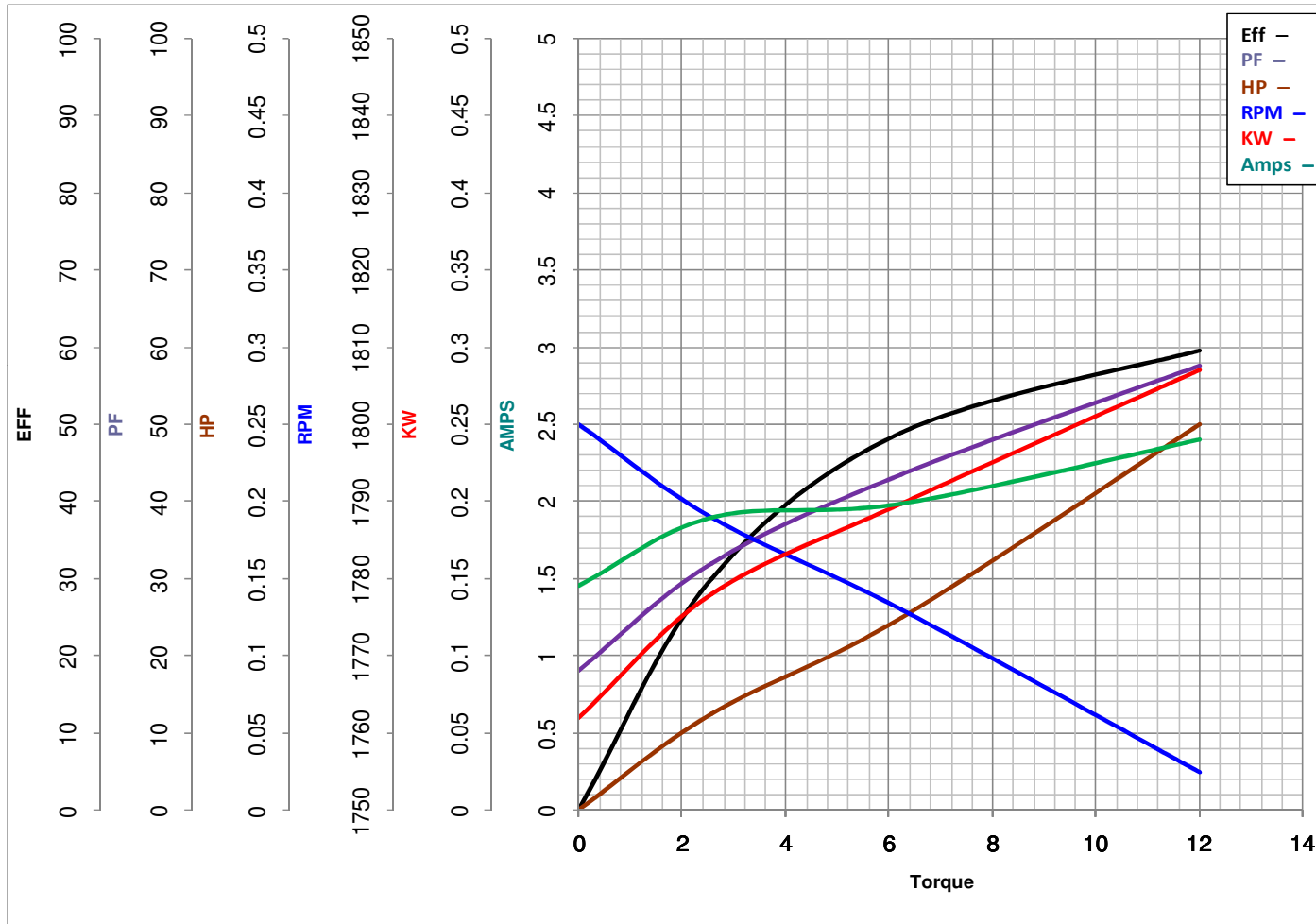
Customer

Curve at 230 Volts HP 0.25 PHASE 1
60 HZ
0.25 HP VOLTS 115/208-230

Model No 56C17E5314

Catalog No G639

HZ 60 RPM 1725



Torque in Oz.Ft

FL TORQUE 12 Oz.Ft
BD TORQUE 33.3 Oz.Ft
LR TORQUE 47.8 Oz.Ft

FL AMPS 4.8/2.3-2.4
PU TORQUE 28.3 Oz.Ft
LR AMPS 12.4

WINDING ZC496-3

Date 1/9/2019