

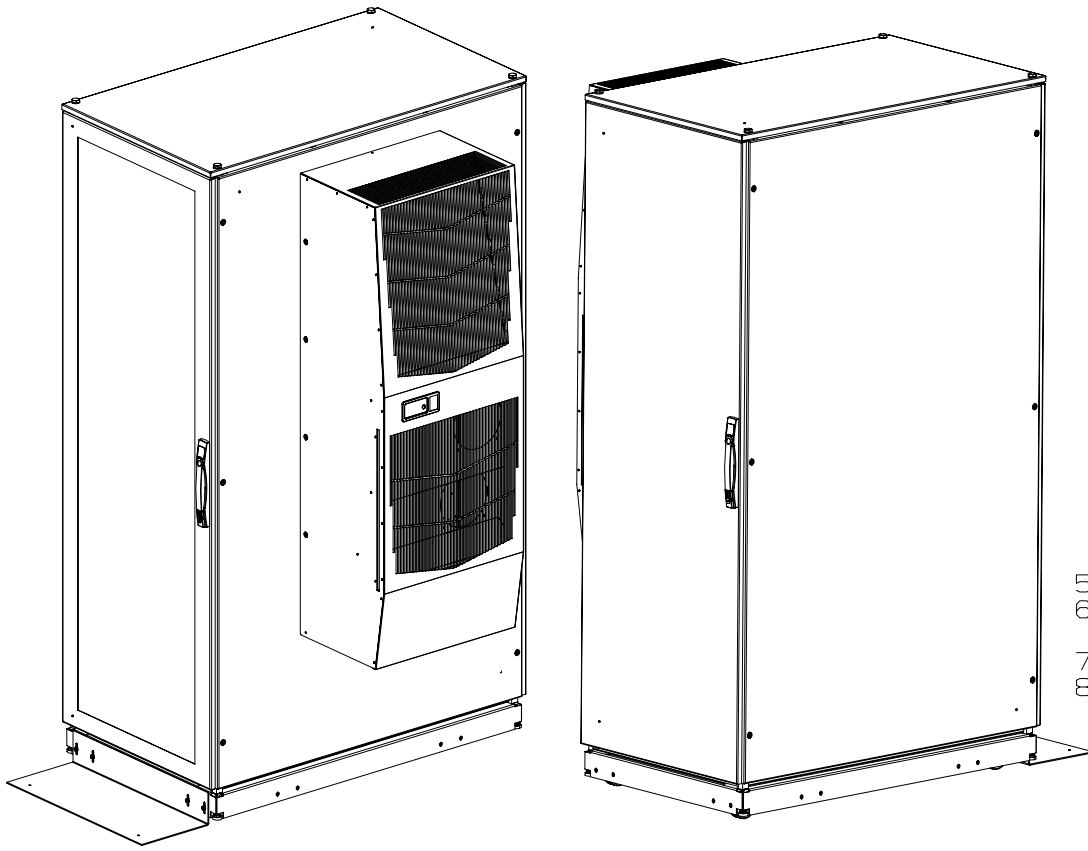
THIS COPY IS PROVIDED ON A RESTRICTED BASIS AND IS NOT TO BE USED IN ANY WAY DETRIMENTAL TO THE INTERESTS OF PANDUIT CORP.

PART NUMBER	DESCRIPTION
MDC82NN	42 RU NEMA TYPE 12 MDC WITH NO SIDE PANEL CUTOUT
MDC82NS	42 RU NEMA TYPE 12 MDC WITH SIDE PANEL CUTOUT FOR 12K BTU AC
MDC82NL	42 RU NEMA TYPE 12 MDC WITH SIDE PANEL CUTOUT FOR 20K BTU AC

TABLE 1

NOTES:

- VISIT OUR ON-LINE CATALOG AT PANDUIT.COM FOR A LIST OF PARTS COMPATIBLE FOR USE WITH THIS PRODUCT.
- THIS PRODUCT COMPLIES TO PANDUIT FORM C2-0834, SPECIFICATION FOR CHEMICAL SUBSTANCES TO BE CONTROLLED IN PRODUCT AND PACKAGING FORMS C2-0834 AND C2-0835 APPENDIX A AND B
- WEIGHT: 500 LB (227 KG)
- PART INCLUDES:
 - ONE SOLID SIDE PANEL
 - ONE SIDE PANEL (SOLID, SMALL OR LARGE AC OPENINGS). SEE TABLE 1.
 - NETWORK CABLING AND CONNECTIVITY.
 - (18) STP28X-SERIES CABLES TO CONNECT SERVERS AND SWITCHES IN INTERNATIONAL GREY AND BLUE COLORS.
 - CJS6X88TGY CAT 6A SHIELDED JACKS PROVIDED.
 - TOOLLESS BLANKING PANELS.
 - FRE1UBL - FIBER MANAGEMENT TRAY.
 - CPPL24WBLY - 24 PORT PATCH PANEL AND BLANKS.
 - VERTICAL CABLE MANAGEMENT FINGERS.
 - CABINET GROUNDING.
 - RGRB19CN - UNIVERSAL 20 PORT GROUND BAR.
 - RGCBNJ660P22 - CBN GROUNDING KIT.
 - 55" EQUIPMENT GROUNDING JUMPERS.
 - ACCESSORIES.
 - HOOK AND LOOP.
 - 12-24 BONDING AND STANDARD CAGE NUTS AND SCREWS.
 - ESD PORTS AND WRIST STRAPS.
- NEMA RATING: NEMA TYPE 12.
- FULLY BONDED STRUCTURE WHEN ASSEMBLED PER INSTRUCTIONS.
- NETWORK EQUIPMENT NOT INCLUDED.
- AC UNITS ORDERED SEPARATELY THROUGH rVENT (SEE SHEET 2 FOR DETAILS).



FRONT AND RIGHT SIDE

REAR AND LEFT SIDE

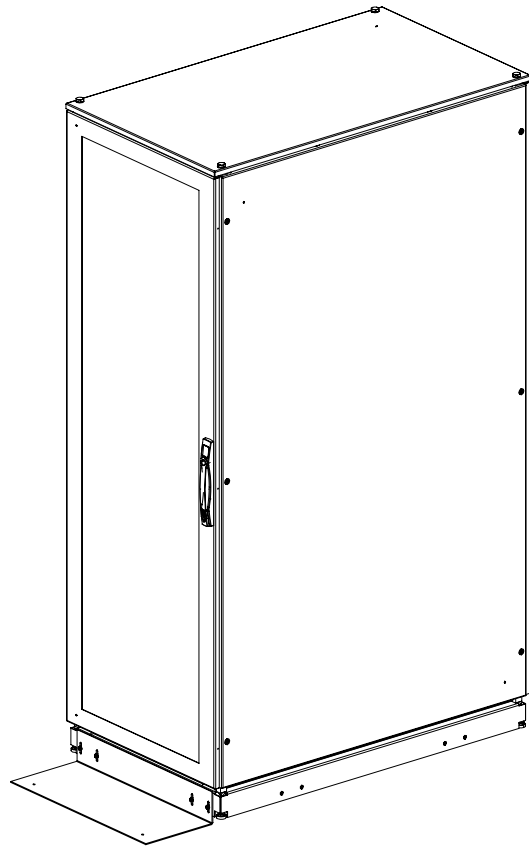
AC FOR VISUAL REFERENCE ONLY

PART NUMBER		SEE TABLE 1		
TITLE				
MDC82 SERIES INDUSTRIAL NEMA TYPE 12 MICRO DATA CENTER				
CUSTOMER DRAWING				
ITEM REVISION NAME		00084EAD/05		
DATASET FILE NAME		00084EAD_DC/05A		
		THIRD ANGLE PROJECTION		
MATERIAL		NA		
DRAWING NUMBER				00084EAD-DC
DRAWN BY	DATE	CHK	SCALE	SIZE
JBO	7/16/18	MW	NONE	A
SHEET 1 OF 4				

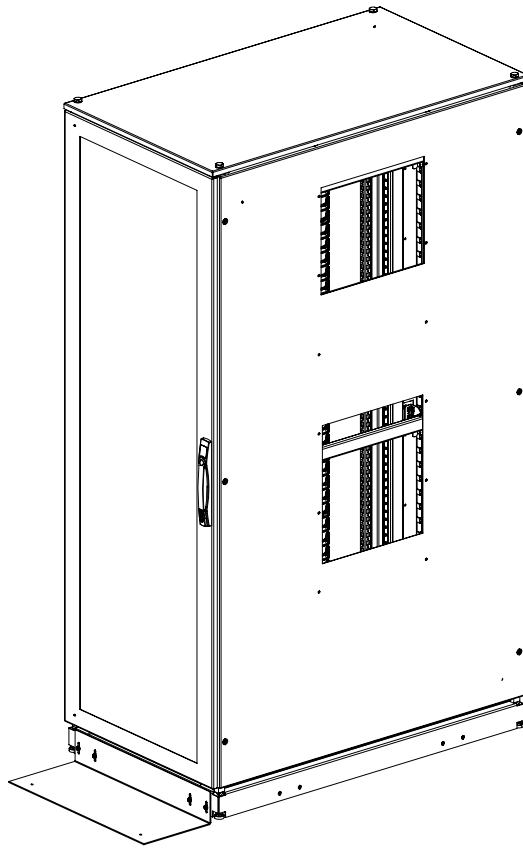
REV	DATE	BY	CHK	APR	DESCRIPTION	ECN
05A	3/14/25	JKU	DAJP	LF	FIBER ENCLOSURE UPDATE	011474
02A	8/8/18	JBO	MRWA	KGA	INITIAL RELEASE	00084EAD-DC

A-SIZE CUSTOMER

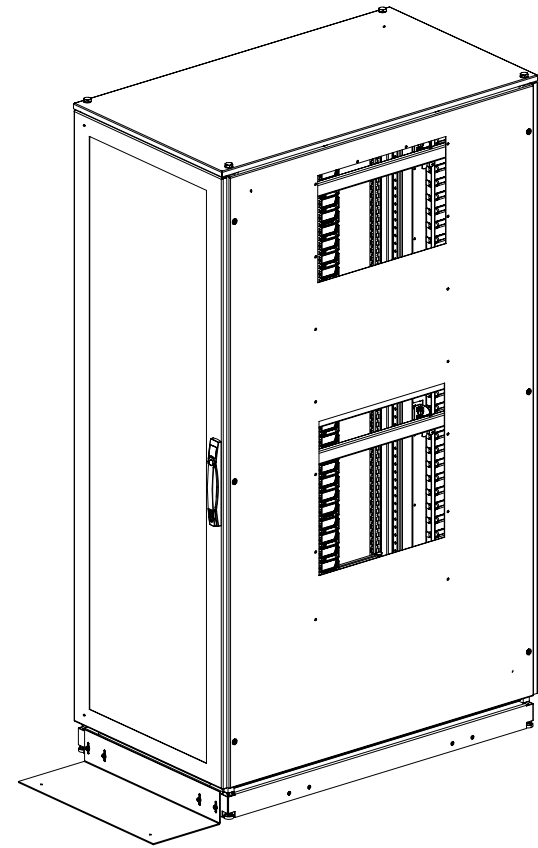
THIS COPY IS PROVIDED ON A RESTRICTED BASIS AND IS NOT TO BE USED IN ANY WAY DETRIMENTAL TO THE INTERESTS OF PANDUIT CORP.



MDCB2NN



MDC82NS²



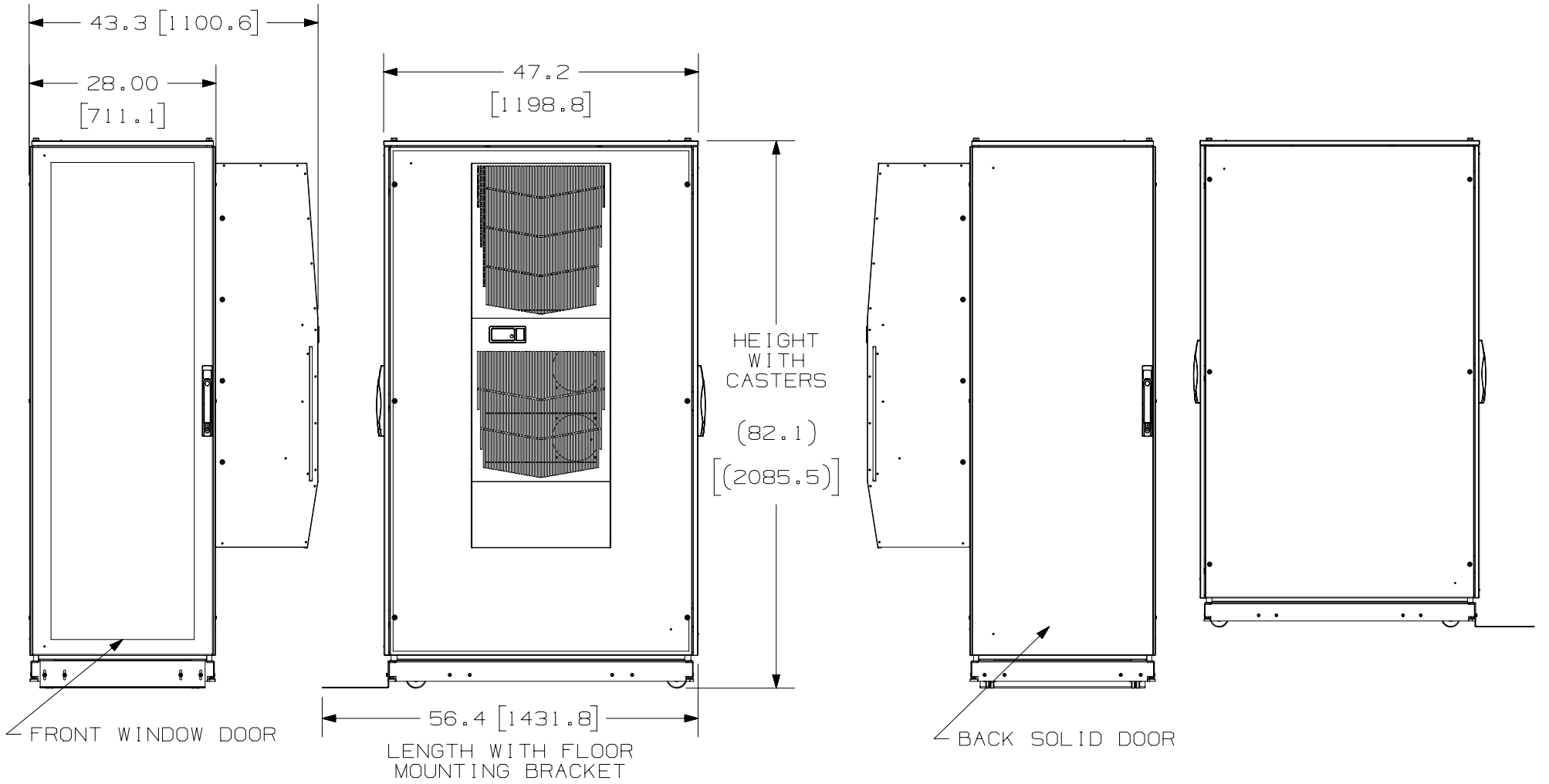
MDC82NL²

- NOTES:
1. SIDE PANEL CUTOUT FOR SPECTRACOOL G52 AC UNIT THROUGH FRONT.
 2. SIDE PANEL CUTOUT FOR SPECTRACOOL G57 AC UNIT THROUGH FRONT.

TITLE																																			
MDC82 SERIES INDUSTRIAL NEMA TYPE 12 MICRO DATA CENTER																																			
CUSTOMER DRAWING																																			
ITEM REVISION NAME					00084EAD/05																														
DATASET FILE NAME					00084EAD_DC/05A																														
			THIRD ANGLE PROJECTION																																
MATERIAL					N/A																														
DRAWING NUMBER								00084EAD-DC																											
<table border="1"> <tr> <td>REV</td> <td>DATE</td> <td>BY</td> <td>CHK</td> <td>APR</td> <td>DESCRIPTION</td> <td>ECN</td> <td>DRAWN BY</td> <td>DATE</td> <td>CHK</td> <td>SCALE</td> <td>SHEET 2 OF 4</td> <td>SIZE</td> </tr> <tr> <td>--</td> <td>--</td> <td>--</td> <td>--</td> <td>--</td> <td>SEE SHEET 1 FOR REVISION CONTROL</td> <td>--</td> <td>JBO</td> <td>7/16/18</td> <td>MW</td> <td>NONE</td> <td></td> <td>A</td> </tr> </table>										REV	DATE	BY	CHK	APR	DESCRIPTION	ECN	DRAWN BY	DATE	CHK	SCALE	SHEET 2 OF 4	SIZE	--	--	--	--	--	SEE SHEET 1 FOR REVISION CONTROL	--	JBO	7/16/18	MW	NONE		A
REV	DATE	BY	CHK	APR	DESCRIPTION	ECN	DRAWN BY	DATE	CHK	SCALE	SHEET 2 OF 4	SIZE																							
--	--	--	--	--	SEE SHEET 1 FOR REVISION CONTROL	--	JBO	7/16/18	MW	NONE		A																							

A-SIZE CUSTOMER

THIS COPY IS PROVIDED ON A RESTRICTED BASIS AND IS NOT TO BE USED IN ANY WAY DETRIMENTAL TO THE INTERESTS OF PANDUIT CORP.



FRONT VIEW

RIGHT VIEW

BACK VIEW

LEFT VIEW

FRONT WINDOW DOOR

LENGTH WITH FLOOR MOUNTING BRACKET

BACK SOLID DOOR

HEIGHT WITH CASTERS
(82.1)
[(2085.5)]

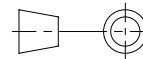
IMAGES SHOWN WITH 20K BTU AC

TITLE
MDC82 SERIES INDUSTRIAL NEMA TYPE 12 MICRO DATA CENTER

CUSTOMER DRAWING

ITEM REVISION NAME
00084EAD/05

DATASET FILE NAME
00084EAD_DC/05A



THIRD ANGLE PROJECTION



MATERIAL
N/A

DRAWING NUMBER
00084EAD-DC

REV	DATE	BY	CHK	APR	DESCRIPTION	ECN
--	--	--	--	--	SEE SHEET 1 FOR REVISION CONTROL	--

DRAWN BY JBO	DATE 7/16/18	CHK MW	SCALE NONE	SHEET 3 OF 4	SIZE A
-----------------	-----------------	-----------	---------------	--------------	-----------

2

1

A-SIZE CUSTOMER

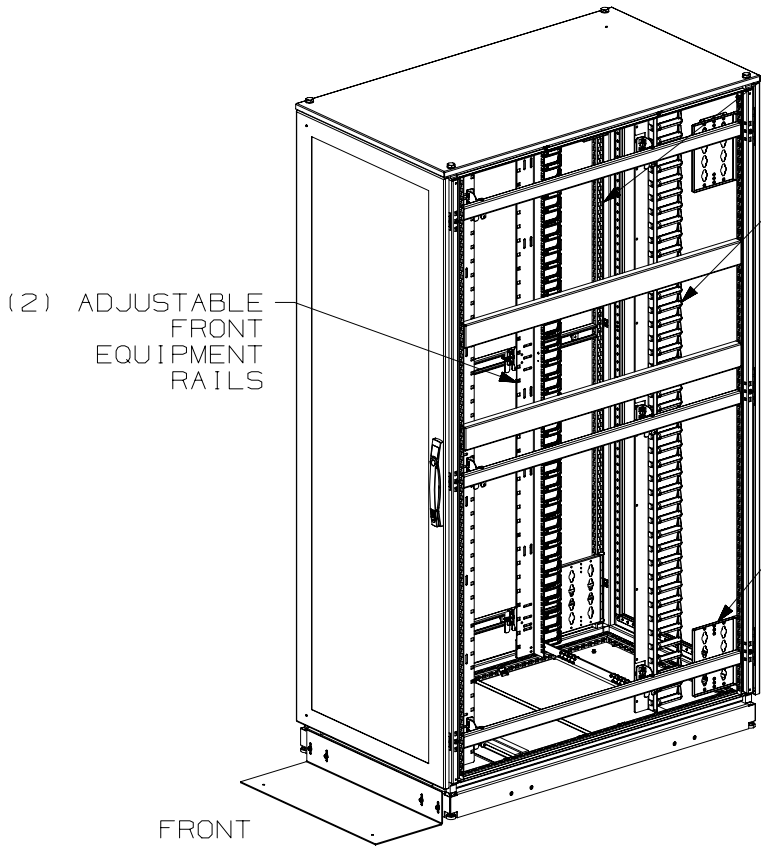
B

B

A

A

THIS COPY IS PROVIDED ON A RESTRICTED BASIS AND IS NOT TO BE USED IN ANY WAY DETRIMENTAL TO THE INTERESTS OF PANDUIT CORP.



(2) ADJUSTABLE REAR EQUIPMENT RAILS

VERTICAL CABLE MANAGEMENT FINGERS WITH BEND RADIUS CONTROL ASSEMBLED TO CABLE MANAGEMENT TYPE RAILS

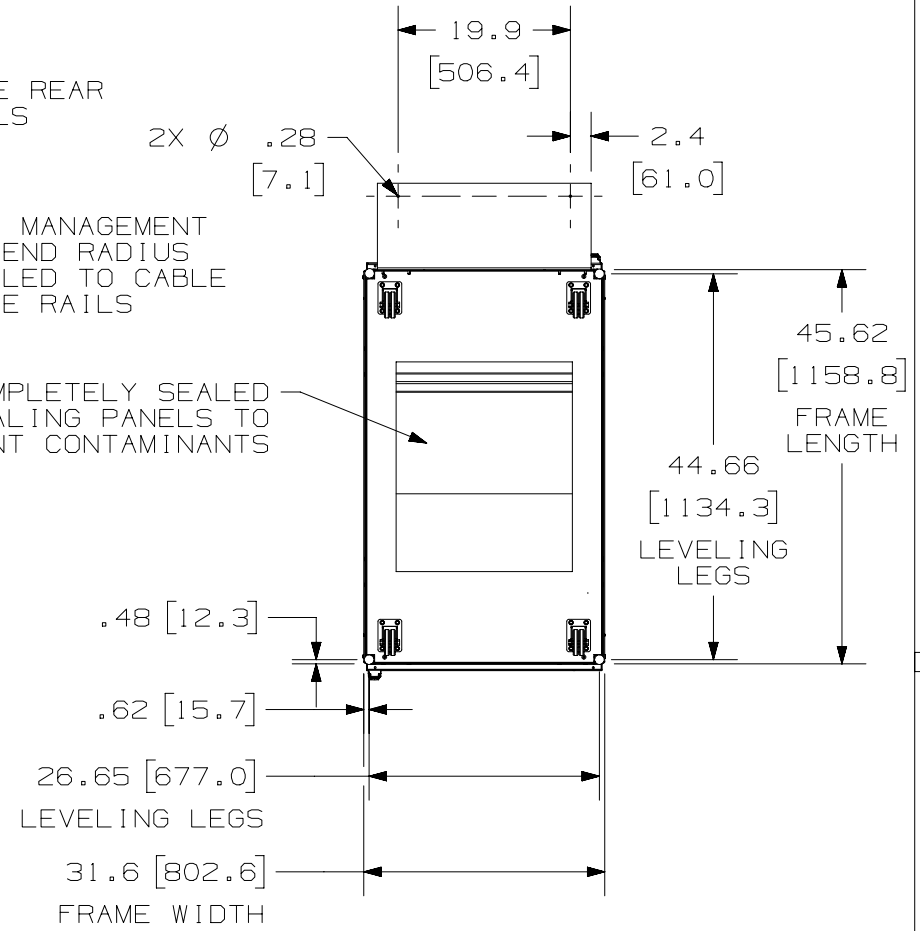
(2) ADJUSTABLE FRONT EQUIPMENT RAILS

FLOOR COMPLETELY SEALED FLOOR SEALING PANELS TO PREVENT CONTAMINANTS

(4) PDU BRACKETS

REAR

SIDE PANEL NOT SHOWN



REAR OF CABINET BOTTOM VIEW

TITLE MDC82 SERIES INDUSTRIAL NEMA TYPE 12 MICRO DATA CENTER										
CUSTOMER DRAWING										
ITEM REVISION NAME 00084EAD/05					PANDUIT					
DATASET FILE NAME 00084EAD_DC/05A										
MATERIAL N/A					THIRD ANGLE PROJECTION 					
DRAWING NUMBER 00084EAD-DC										
REV	DATE	BY	CHK	APR	DESCRIPTION	ECN	DRAWN BY	DATE	CHK	SCALE
--	--	--	--	--	SEE SHEET 1 FOR REVISION CONTROL	--	JBO	7/16/18	MW	NONE
SHEET 4 OF 4										
SIZE A										

A-SIZE CUSTOMER