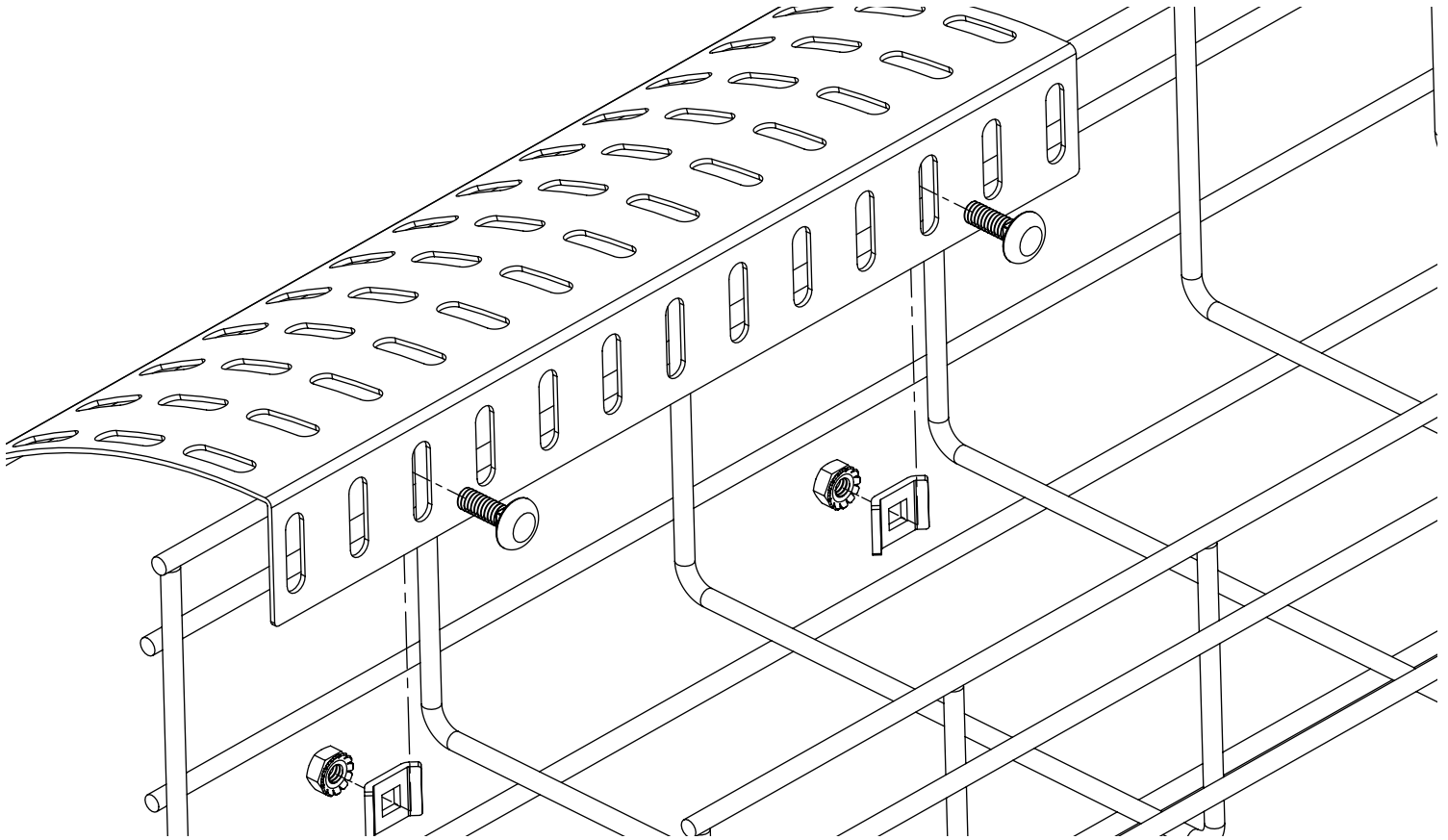


Best practice recommendation is to use hook & loop or cable ties with this drop out kit. (Sold Separately).

The fasteners are 7/16" nuts.

Use an appropriate 7/16" nut driver (FR716DR) to tighten fasteners.

Maximum Load Allowable = 20 lbs.



TORQUE PROVIDED
HARDWARE TO
60 in-lbs (6.8 N-m).

