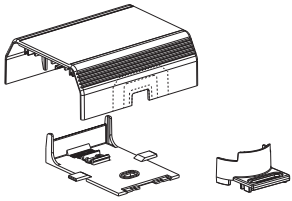


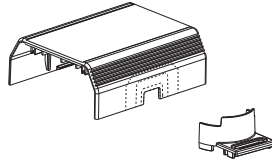
BREAKOUTS

BASE/COVER	RACEWAY
A	LD3, LDPH3,
B	LD5, LDPH5
C	LD10, LDPH10
D	T-45

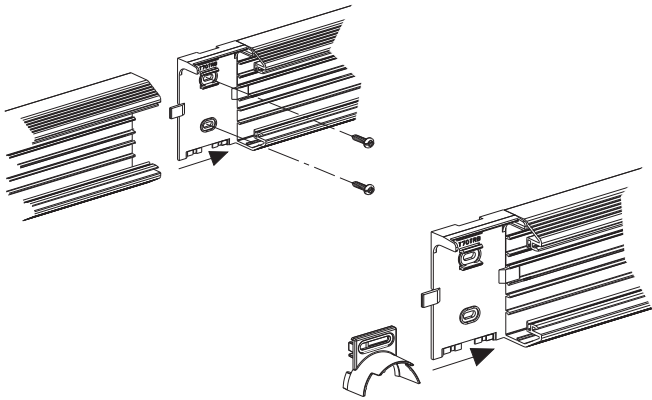
T70TR POWER



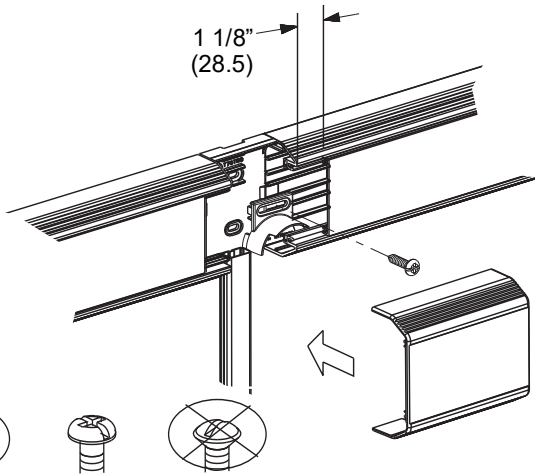
T70TRC DATA



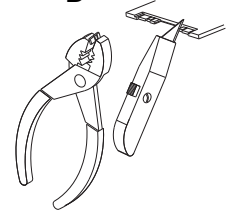
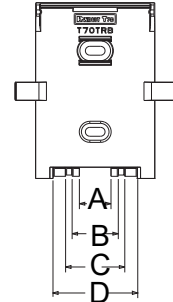
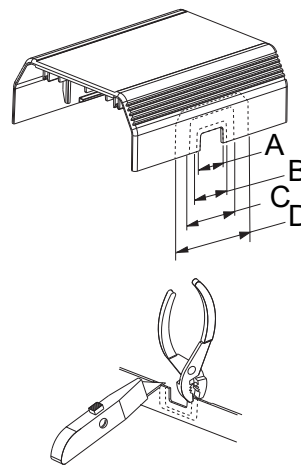
POWER APPLICATION



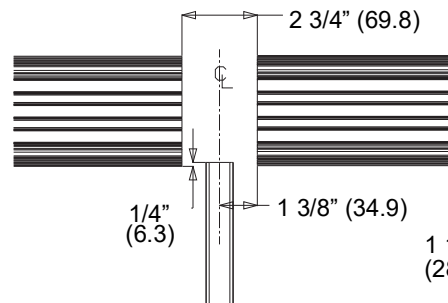
1 1/8" (28.5)



The mounting hardware used to secure the raceway shall be appropriate for the mounting surface. #8 or #10 screws (not included)



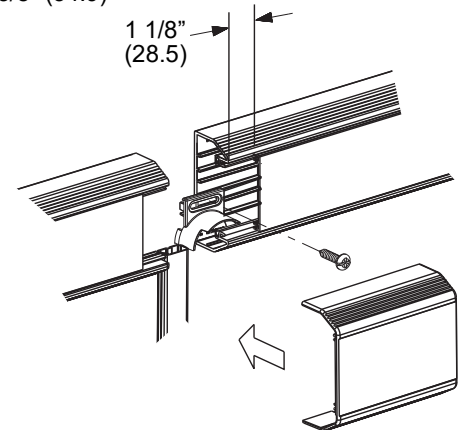
DATA APPLICATION



1/4" (6.3)

1 3/8" (34.9)

1 1/8" (28.5)



DIMENSIONS IN PARENTHESIS ARE IN METRIC