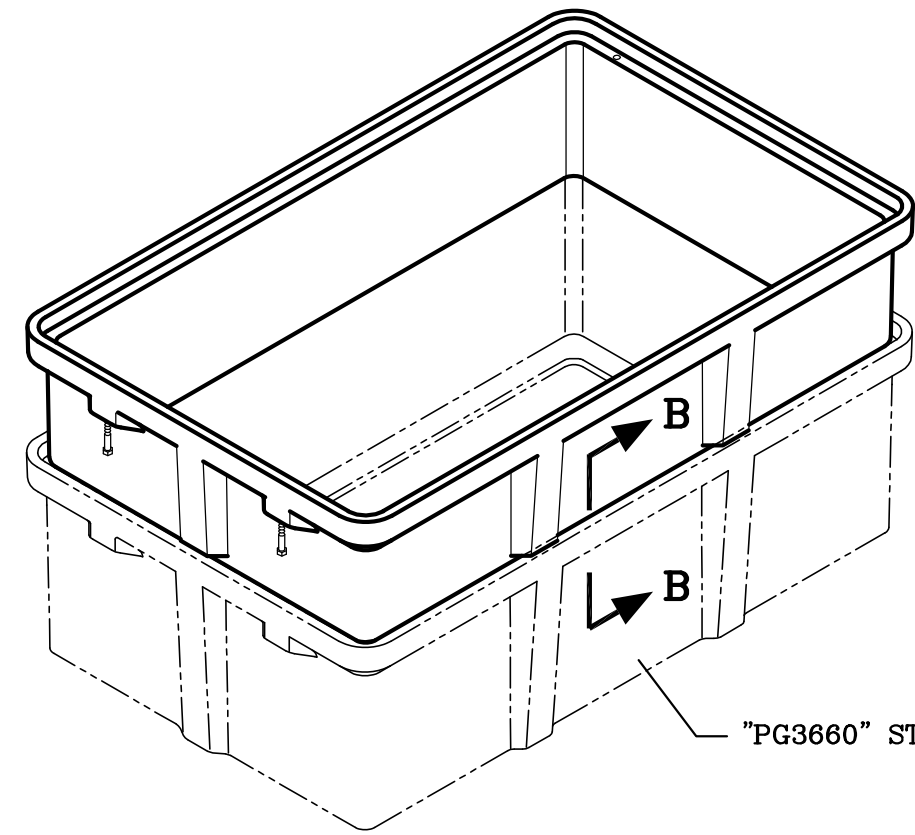


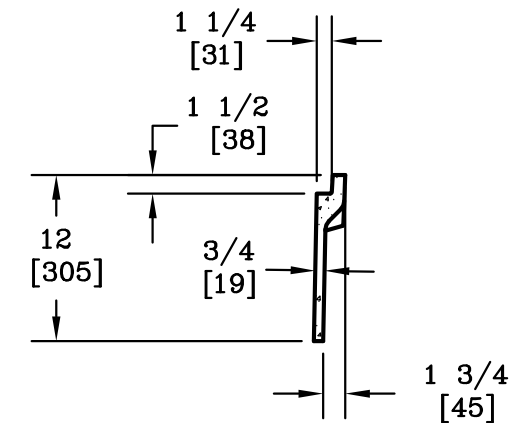
1/2-6 S.S. SELF
ALIGNING, REPLACEABLE
S.S. EZ-NUT
(2 PLACES)



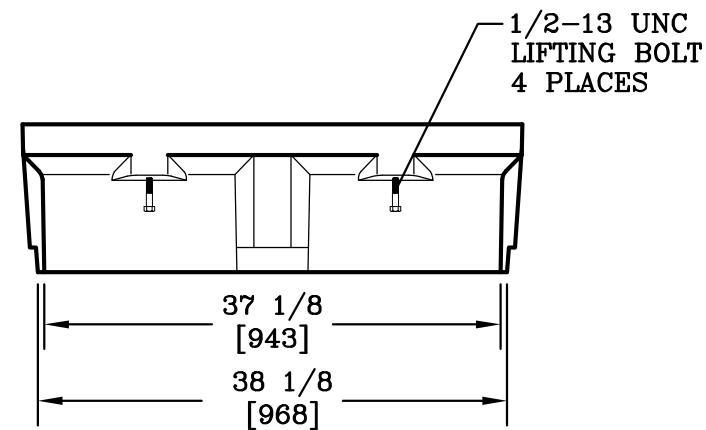
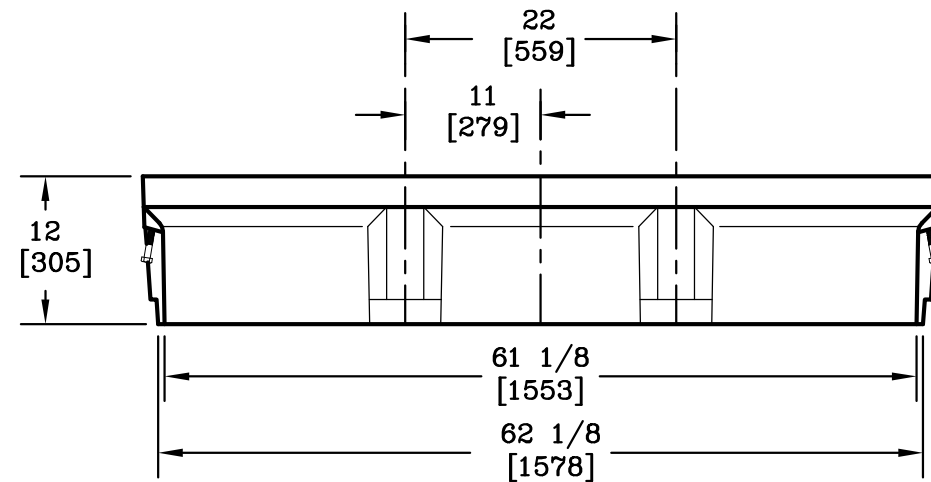
PG3660EA12

SECTION B-B

"PG3660" STYLE BOX



SECTION A-A



1/2-13 UNC
LIFTING BOLT
4 PLACES

NOTE:

1. THIS BOX IS RATED FOR ANSI/SCTE 77 2007 TIER 22.

DIMENSIONS ARE IN INCHES OR MILLIMETERS IN BRACKETS UNLESS OTHERWISE NOTED.					3621 INDUSTRIAL PARK DR LENOIR CITY, TN 37771 800-346-3062 www.quazite.com	LOC
DRN	BY	DATE	WEIGHT			LC
CHK	WRJ	12/10/01	200# 91kg	S	DRAWING DESCRIPTION QUAZITE® 36 X 60 X 12 EXTENSION STANDARD VERSION	REV D
ENG			SCALE	3/4"=1'		
APR	M&F	12/10/01	SIZE	B		
APR						3/12
PROJECT NUMBER				DRAWING NUMBER		
01860				PG3660EA12		
SHEET 1 OF 1						

EXTENSION - 36x60x12
TIER 15 RATING - BOX EXTENSION

MATERIAL ID - 912920