

## PVC Coated Elbows

# 2X90X18 PVC COATED LARGE RADIUS ELBOW



<b>Catalog Number</b>	PRHELB-2X90X18
<b>UPC</b>	784011201808

### Description

Factory-bent PVC coated elbows are more accurate, quicker to install and more economical because they eliminate field bending time and waste of material. Electrical continuity is maintained across assembled joints.

### Application

- Factory-bent for accurate, quicker to install and eliminates costly field bending and waste of material

### Features

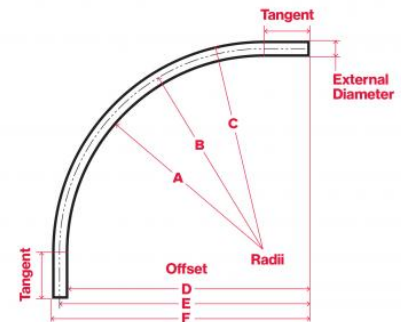
- 40 mil gray PVC exterior coating
- 2 mil red urethane interior coating
- 12 trade sizes from 1/2" through 6"
- Available in standard sizes 90°, 60°, 45°, 30° bends
- Color-coded thread protector caps for quick identification of conduit size

### General Information

Trade Size	2
Material	STEEL
Material	STEEL
Exterior Finish	A nominal .040 inch (40 mil) gray PVC coating
Interior Finish	A nominal .002 inch (2 mil) red urethane
Thread Finish	A red urethane coating over steel
Thread Protector Color	Blue

### Dimensions

Diameter - External (Inches)	2.455
------------------------------	-------



Diameter - Internal (Inches)	2.083
Metric Size Designators	53
Nipple Length (Inches)	42
Offset E (Inches)	27
Radius B (Inches)	18
Tangent (Inches)	9

### Standards

CSA Certified	C22.2 No. 45
UL 6	E2314

### Technical Specification Documents

Specification Guide (1995 Master)	AVAILABLE ON WEBSITE
Specification Guide (2004 Master)	AVAILABLE ON WEBSITE
Installer Certification and Tools	AVAILABLE ON WEBSITE
Chemical Resistance Charts	AVAILABLE ON WEBSITE
Performance Specifications	AVAILABLE ON WEBSITE

### Technical Information

Fitting Configuration	90
Fitting Type	LARGE RADIUS ELBOW
Product Category	ELBOW
Product Family	PVC Coated Elbows

### Notes

- Both PVC and zinc coatings have been investigated as primary protection against corrosion.
- Restricted for use with threaded fittings only.

