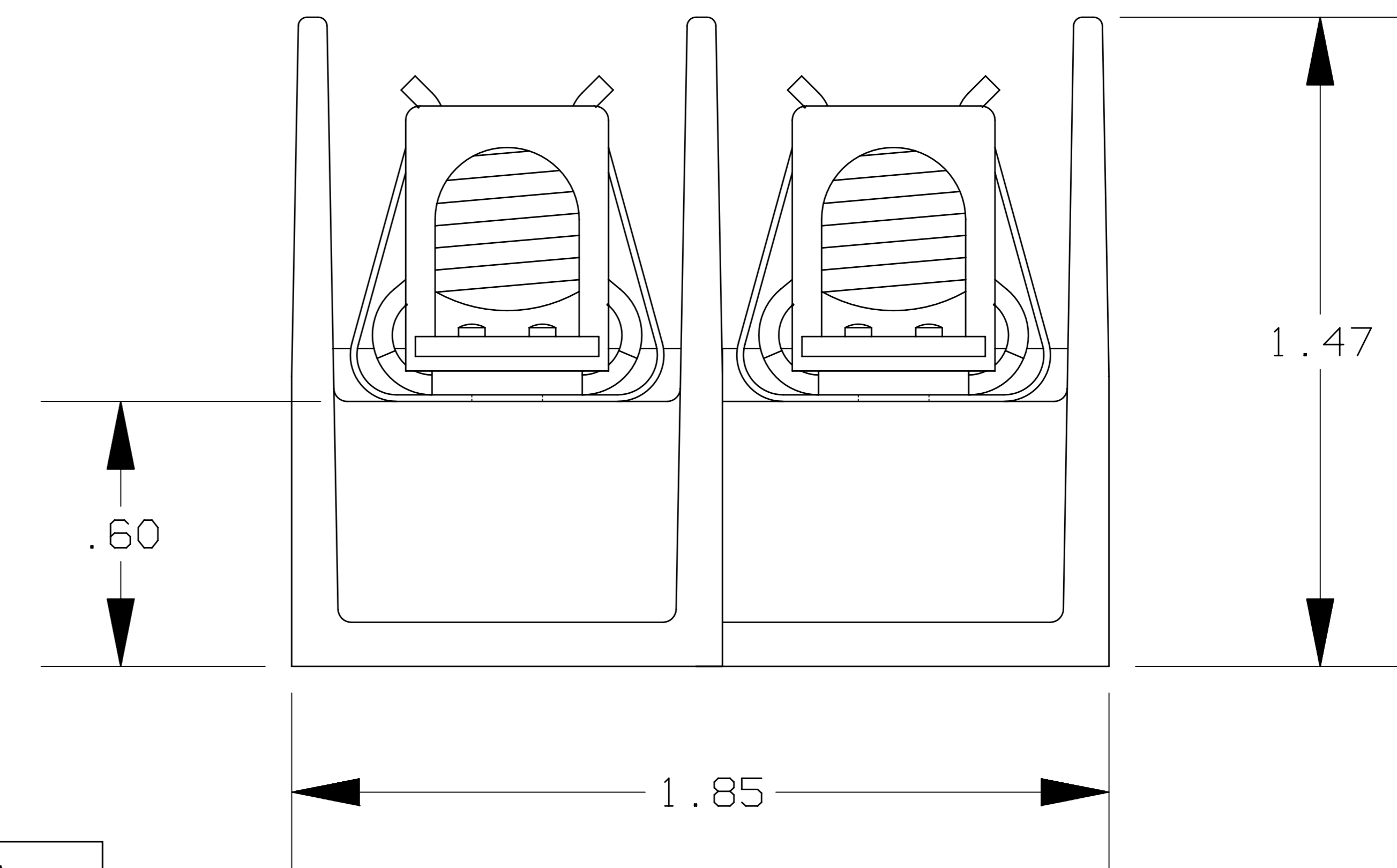
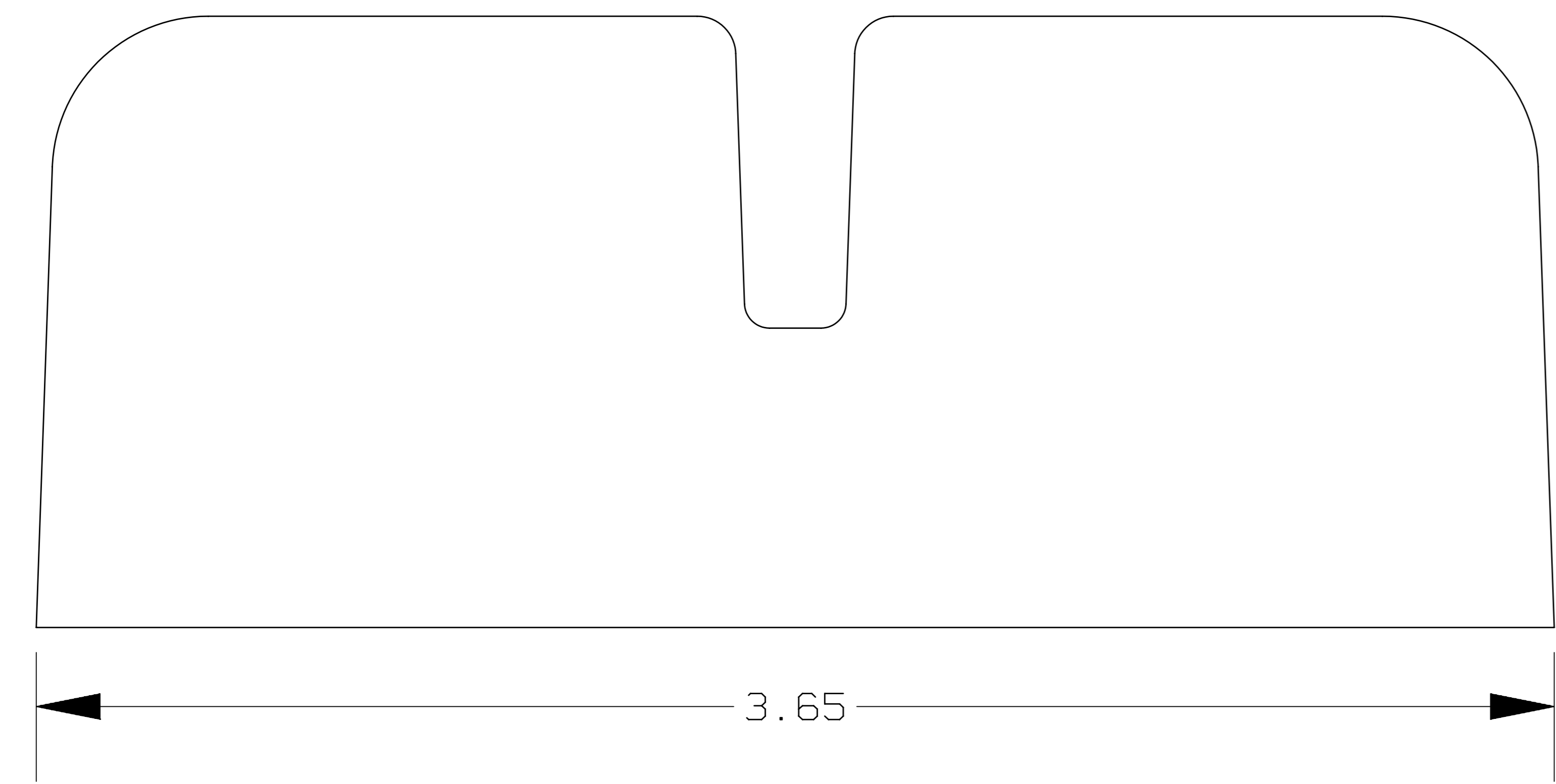
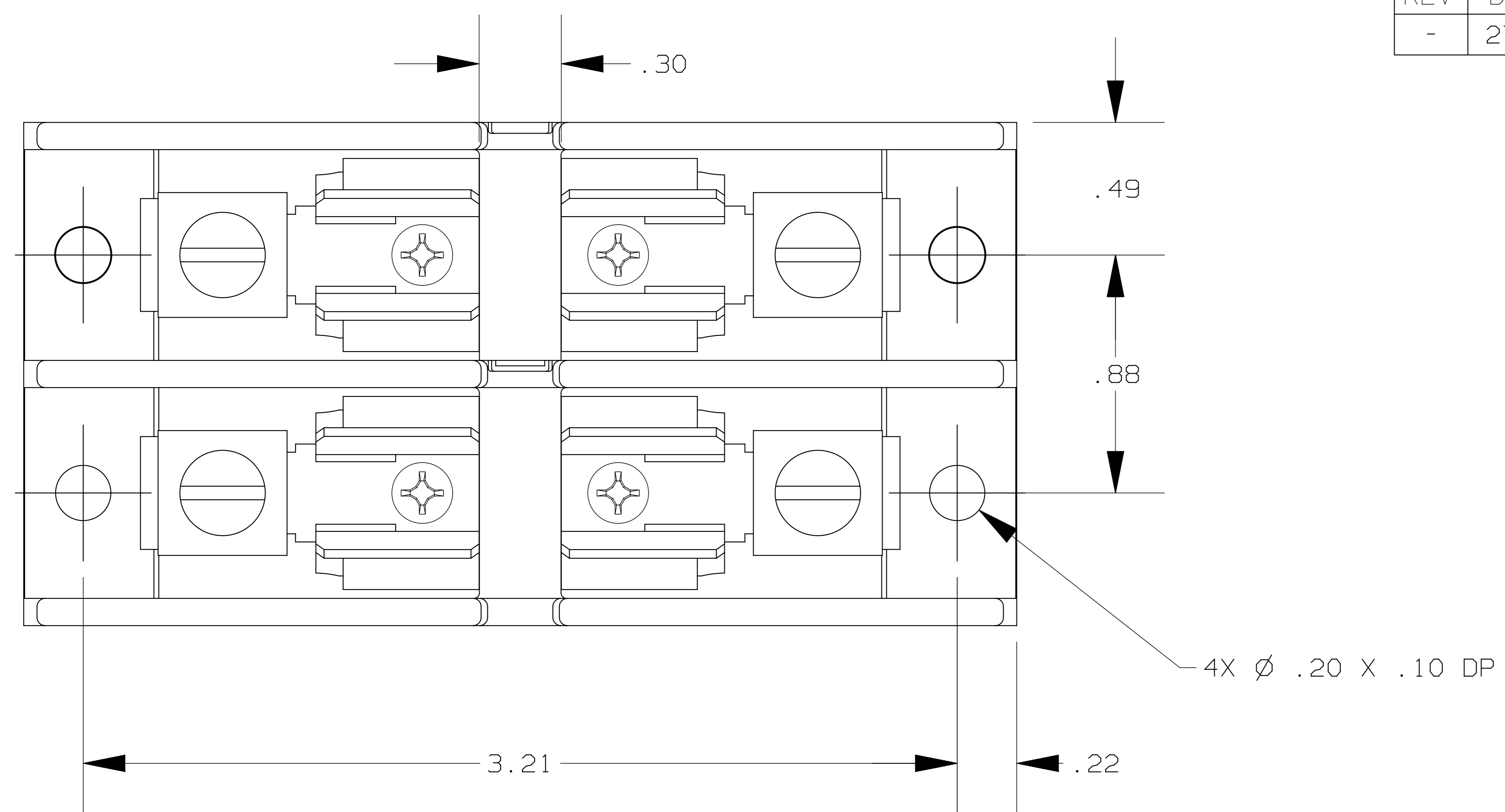


REV	DATE	ECO	DESCRIPTION	BY	CK	APP
-	27AUG97	N/A	INITIAL RELEASE	PRR	N/A	N/A



- NOTES:
1. TOLERANCES ±.015 UNLESS OTHERWISE SPECIFIED.
  2. MATERIAL COMPOSITION AND RATING THERMOPLASTIC-125°C RT1.

P/N	CONN TYPE	RMS SYM RATING	TORQUE (IN-LBS)	WIRE		U/L		CSA
				°C	TYPE	FILE NO.	GUIDE NO.	REPORT NO.
30307T	AL BOX	200K	35	60/75	CU-AL	E52283	IZLT	LR32169

**Mersen** MERSEN USA NEWBURYPORT-MA, LLC  
 374 MERRIMAC STREET  
 NEWBURYPORT, MA 01950

PRODUCT MANAGER DESIGN ENGINEER  
 SIGN: SIGN:  
 DATE: DATE:

FUSE BLOCK, 300V-30A, 2 POLE  
 CLASS T

OUTLINE DIMENSIONS  
 NOT TO BE USED FOR PRODUCTION

700200