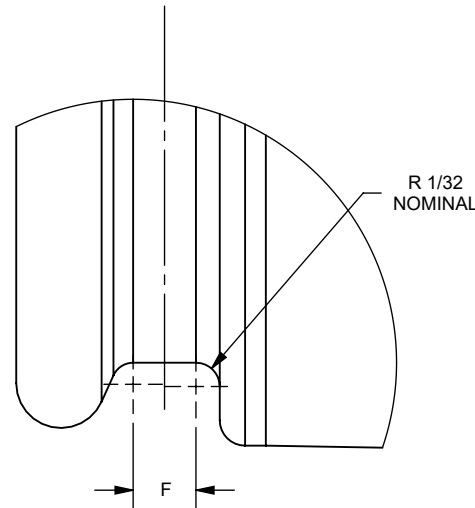
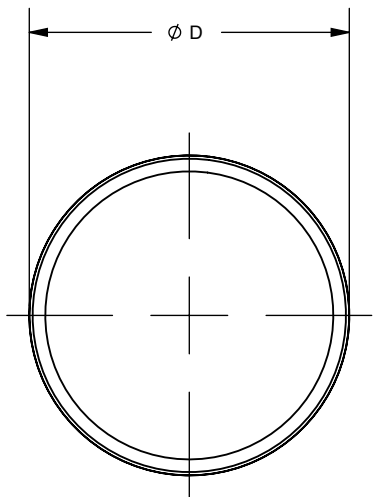
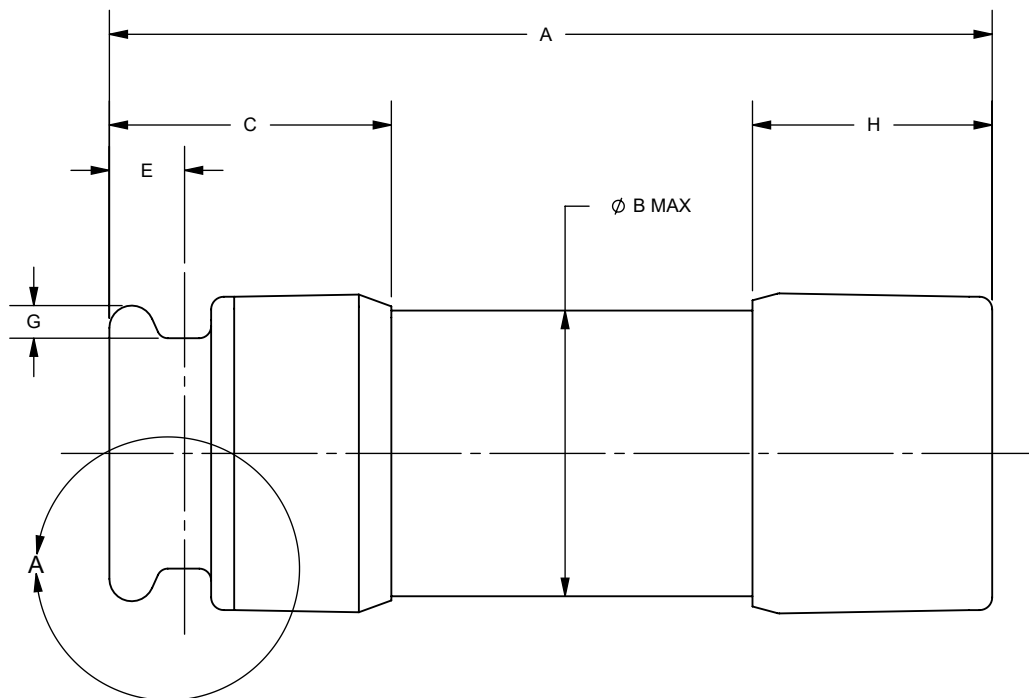


REV.	DATE	ECO	DESCRIPTION	BY	CK	APP
A	1/24/2020	NA	UPDATE OUTLINE TO SW	RLM	N/A	N/A
B	3/9/2022	16419	ADDED A2D(0-60)RN, A6D(0-60)RN, UPDATED TITLE BLOCK	YF	N/A	N/A



DETAIL A
REJECTION GROOVE DETAIL
SCALE 4 : 1



* DIMENSIONS IN [] ARE IN MILLIMETERS
OUTLINE DIMENSIONS NOT TO BE USED FOR PRODUCTION.

CATALOG NO.	AMP RATING	VOLTS	A	Ø B	C	Ø D	E	F	G	H MIN
A2D (AMP RATING) R A2D (AMP RATING) RN	0-30	250	2	17/32	.668	6/16	5/32	5/64	.093	.500
A2D (AMP RATING) R A2D (AMP RATING) RN	31-60	250	3	25/32	.794	13/16	3/16	3/32	.093	.625
A6D (AMP RATING) R A6D (AMP RATING) RN	0-30	600	5	25/32	.794	13/16	3/16	3/32	.093	.500
A6D (AMP RATING) R A6D (AMP RATING) RN	31-60	600	5-1/2	1-1/32	.981	1-1/16	1/4	3/32	.093	.625

Approval stage / Etat d'approbation: APPROUVÉ POUR FABRICATION / APPROVED FOR MANUFACTURING		Product Class: / Product Type: RK1 AMP TRAP	
Initial ECO / ECO intiale: ECO-16419-000		Product amp rating: / Voltage rating: 0-60A 250-600V	
Draw by / Dessiné par: Yadyra Fang		Date: 3/14/2022	Title / Titre: OUTLINE
Checked by / Vérifié par: Alma Balcazar		Date: 3/14/2022	
Drawing / de dessin: 700367		Weight: / Masse:	
Part / Article: 700367		Rev: / Rév: B	
Electrical Power 374 MERRIMAC STREET NEWBURYPORT, MA 01950		Ech / Scale: 2:1 Format / Size: B	Page: / 1/1



Ce plan strictement confidentiel est la propriété exclusive de la société MERSEN sans l'autorisation écrite de laquelle il ne peut être ni reproduit, ni copié, ni communiqué à des tiers.
This drawing and specifications there on is property of MERSEN and shall not be reproduced or copied or used in whole or in part as the base for manufacture or sale of item without written permission.