

West Coast Metering Selection and Application Guide



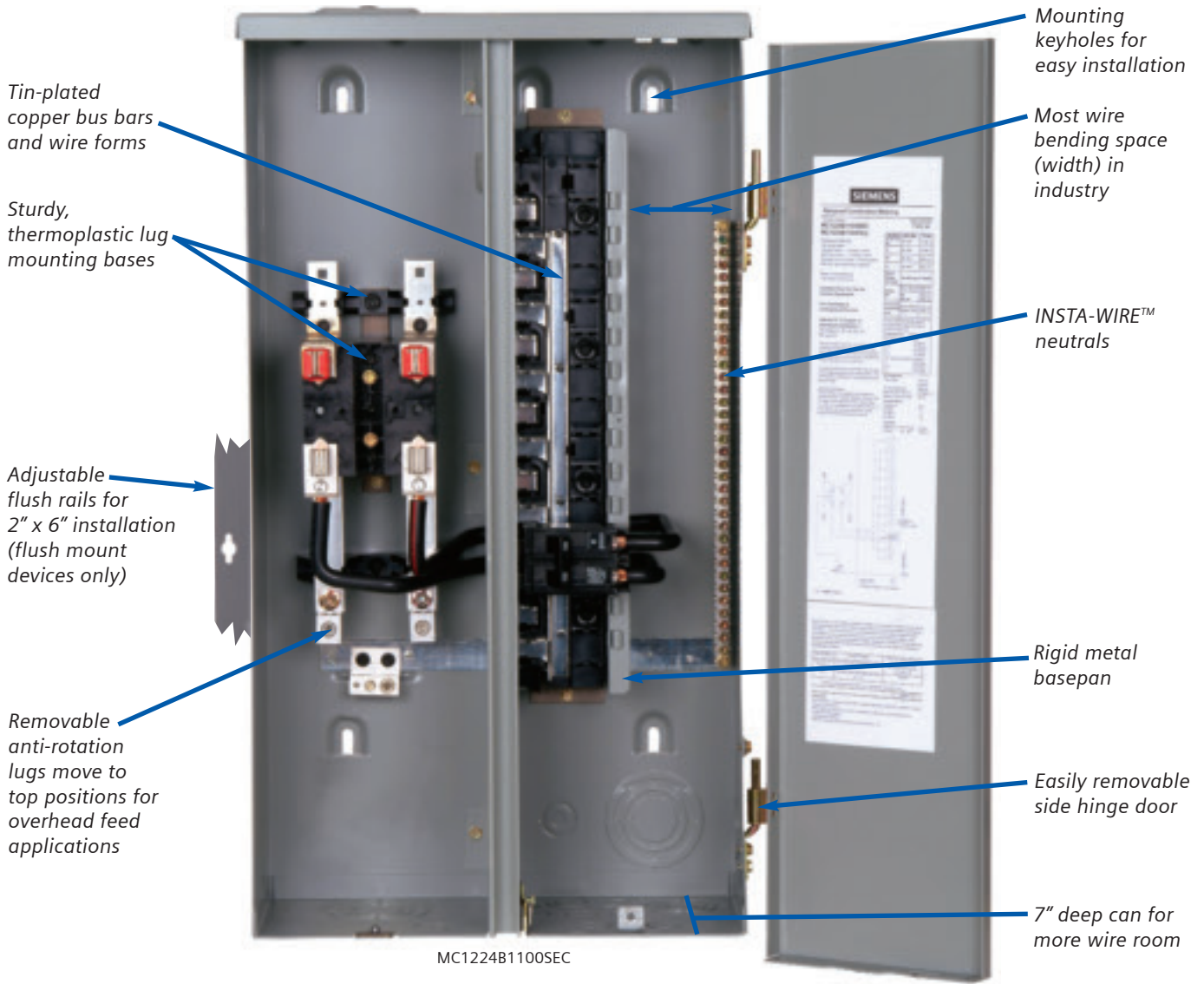
SIEMENS

Global network of innovation

Combination Meter Sockets

Overhead and Underground Feed

Features and Benefits



Catalog Number Logic

Example: MC1224B1100FEC

MC	12	24	B	1	100	FEC
MC = Meter Combination MM = Meter Main	Spaces	Circuits	B = Main Breaker L = Main Lug	1 = Single Phase	Amperage	F = Semi-Flush S = Surface E = EUSERC C = OH/UG Feed (side-by-side) D = UG Feed Only (over under) M = Field Added 2nd Main W = Wide Load Center (not between the studs) SS = Test Block Bypass Socket

EUSERC Approved Meter Main and Meter Load Centers (100-225A) Overhead and Underground Feed

FEATURES

- UL listed
- Outdoor type 3R enclosure
- Meets or exceeds EUSERC requirements
- 22,000 AIC rated
- Surface and semi-flush units available. Semi-flush rails are depth adjustable
- Side-hinged door with one screw removal
- Load wiring may exit top or bottom on flush devices
- Suitable for use only as service entrance equipment
- RX type hub provision on top endwall (surface devices), HC type hub provision on bottom endwall
- 5th jaw accessory available (ECMC5J)
- Ring type meter covers
- Contact local utility to confirm meter socket placement prior to installation
- See end of section for dimensions and wiring diagrams



BETWEEN STUDS CONSTRUCTION

Amps Max.	Main Breaker Catalog No.	Mounting	No. of Spaces	Max. Circuits	New Style Catalog Number	Old Style Catalog Number	Dimensions (inches) ④			K.O. Fig.
							Height	Width	Depth	
100	Q2100H	Flush	12	24	MC1224B1100FEC	MC1224MB1100F	26-9/16	14-1/2	7-1/2	2
100	Q2100H	Surface	12	24	MC1224B1100SEC	MC1224MB1100S	26-9/16	14-1/2	7-1/2	1
100	Q2100H	Flush	16	32	MC1632B1100FEC	-	30-9/16	14-1/2	7-1/2	2
100	Q2100H	Surface	16	32	MC1632B1100SEC	-	30-9/16	14-1/2	7-1/2	1
125	Q2125H	Flush	12	24	MC1224B1125FEC	MC1224MB1125F	26-9/16	14-1/2	7-1/2	2
125	Q2125H	Surface	12	24	MC1224B1125SEC	MC1224MB1125S	26-9/16	14-1/2	7-1/2	1
125	Q2125H	Flush	16	32	MC1632B1125FEC	MC1632MB1125F	30-9/16	14-1/2	7-1/2	2
125	Types QP and QPH	Flush	4	6	MM0406L1125FEC ①	MM0406ML1125F	26-9/16	14-1/2	7-1/2	2
125	Types QP and QPH	Surface	4	6	MM0406L1125SEC ①	MM0406ML1125S	26-9/16	14-1/2	7-1/2	1
200	EQ9985	Flush	24	42	MC2442B1200FEC	MC2040MB1200F	40-9/16	14-1/2	7-1/2	2
200	EQ9985	Surface	24	48	MC2442B1200SEC	MC2040MB1200S	40-9/16	14-1/2	7-1/2	1
200	Types QN, QNH, QP and QPH	Flush	4	6	MM0406L1200FEC ①	MM0406ML1200F	30-9/16	14-1/2	7-1/2	2
200		Surface	4	6	MM0406L1200SEC ①	MM0406ML1200S	30-9/16	14-1/2	7-1/2	1
225	EQ9986	Flush	24	42	MC2442B1225FEC	MC2040MB1225F	40-9/16	14-1/2	7-1/2	2
225	EQ9986	Surface	24	42	MC2442B1225SEC	MC2040MB1225S	40-9/16	14-1/2	7-1/2	1

WIDE LOAD CENTER CONSTRUCTION

Amps Max.	Main Breaker Catalog No.	Mounting	No. of Spaces	Max. Circuits	New Style Catalog Number	Old Style Catalog Number	Dimensions (inches) ④			K.O. Fig.
							Height	Width ②	Depth	
200	QN2200RH	Surface ③	30	40	MC3040B1200SECW ⑤	NA	32-1/4	21	5-1/8	3
200	QN2200RH	Surface ③	30	40	MC4040B1200SECW ⑤	MC4040MB1200S	32-1/4	21	5-1/8	3

① Main breaker not included.

② 21" width will not fit between typical 16" center stud construction.

③ For flush mounting, use flush rail kit FRK1.

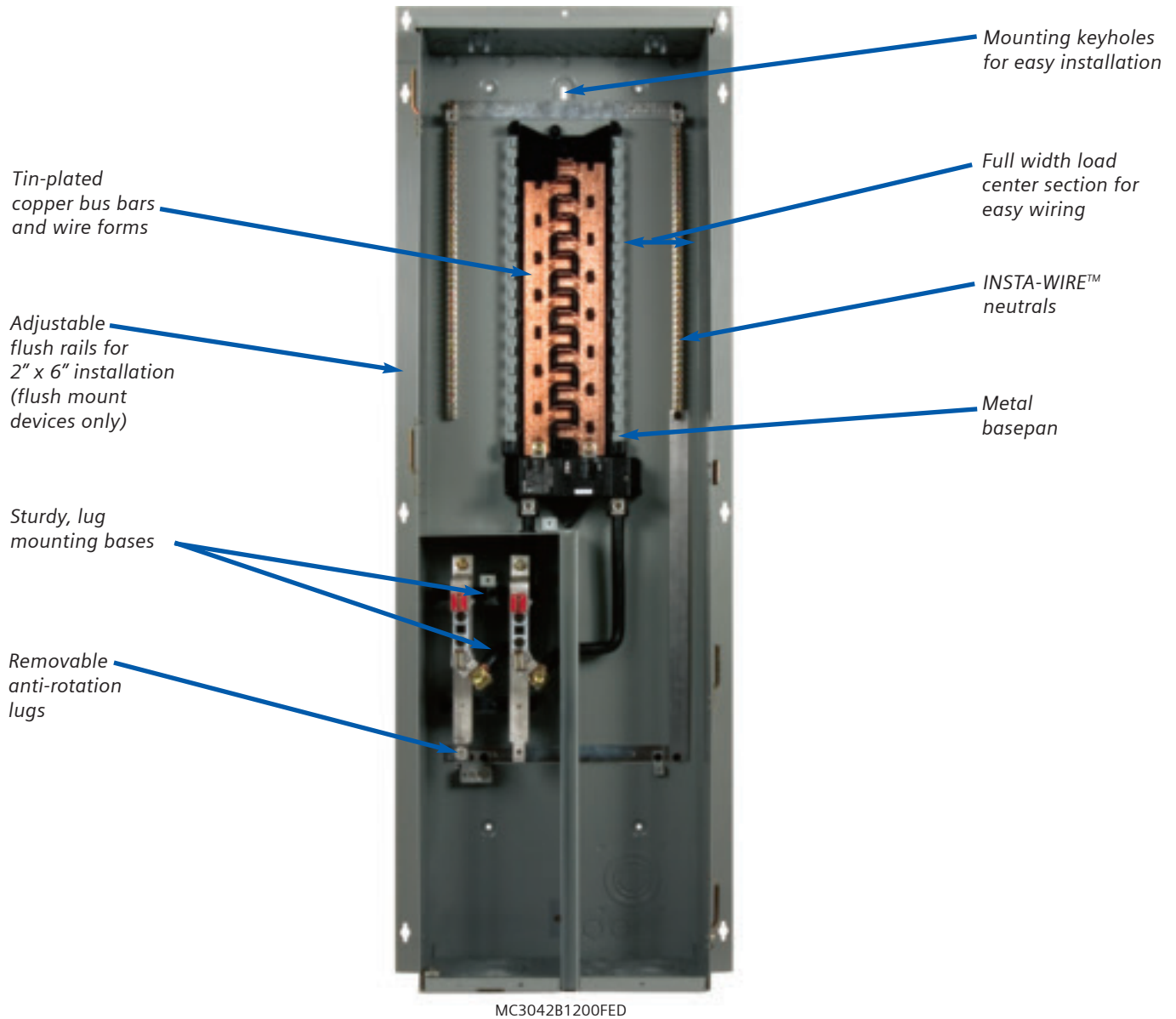
④ Dimensions shown are representative of outside box dimensions and do not include allowances for protrusions. Dimensions are subject to change.

⑤ Meter combo has a full width load center section with a plastic basepan.

Combination Meter Sockets

Underground Feed Only

Features and Benefits



EUSERC Approved Meter Main and Meter Load Centers (200-225A) Underground Feed Only

FEATURES

- UL listed
- Meets or exceeds EUSERC requirements
- 22,000 AIC rated
- Surface and semi-flush units available. Semi-flush rails are depth adjustable
- Side-hinged door with one screw removal
- Load wiring may exit top or bottom on flush mount devices
- Suitable for use only as service entrance equipment
- RX type hub provision on top endwall (surface devices), and HC type hub provision on bottom endwall
- 5th jaw accessory available (ECMC5J)
- Ring type meter covers
- Contact local utility to confirm meter socket placement prior to installation
- See end of section for dimensions and wiring diagrams



MC1212L1200SED



MC3042B1200FED

BETWEEN THE STUDS CONSTRUCTION

Main Amps	Main Breaker	No. of Spaces	No. of Circuits	Mounting	New Catalog Number	Old Style Catalog Number	Dimensions (inches) ③			K.O. Fig.
							Height	Width	Depth	
200	N/A	12	12	Flush	MC1212L1200FED ①②	MC1224MC1200F	38-3/8	14-1/2	7-1/2	4
200	N/A	12	12	Surface	MC1212L1200SED ①②	MC1224MB1200S	38-3/8	14-1/2	7-1/2	3
200	MBK200A	20	40	Surface	MC2040B1200SED	N/A	41-7/8	14-1/2	7-1/2	4
200	MBK200A	20	40	Flush	MC2040B1200FED	MC2040MB1200FE	41-7/8	14-1/2	7-1/2	3
200	MBK200A	30	42	Surface	MC3042B1200SED	N/A	48-3/8	14-1/2	7-1/2	4
200	MBK200A	30	42	Flush	MC3042B1200FED	N/A	48-3/8	14-1/2	7-1/2	3
225	MBK225A	30	42	Surface	MC3042B1225SED	N/A	48-3/8	14-1/2	7-1/2	4
225	MBK225A	30	42	Flush	MC3042B1225FED	N/A	48-3/8	14-1/2	7-1/2	3

① Suitable for use as service entrance equipment when not more than six main disconnecting means are provided and when not used as a lighting and appliance branch circuit panel.

② Main breaker not included.

③ Dimensions shown are representative of outside box dimensions and do not include allowances for protrusions. Dimensions are subject to change.

EUSERC Commercial Metering Single Sockets

SINGLE COMMERCIAL SAFETY SOCKETS

DESIGN / PERFORMANCE FEATURES

- Outdoor/Indoor – one design for either installation.
- Ring Type – meets requirements for various ring type locking provisions.
- Line and load top or bottom to meet overhead or underground requirements.

SYSTEMS / SPECIFICATIONS

- 100/200 amp maximum meter
- 120/240V AC, 1 phase 3 wire, 4 jaw
- 208Y/120V AC, 3 wire network, 5 jaw or 3 phase, 4 wire, 7 jaw
- 240V AC, 1 phase 3 wire, 3 phase 3 wire, or 3 phase 4 wire, 4, 5 or 7 jaw
- 600V AC, 1 phase 3 wire, 3 phase 3 wire, or 3 phase 4 wire, 4, 5 or 7 jaw
- 10,000 to 100,000 AIC
- EUSERC SEC #300



UAT427-XMWR

In addition to local code and National Electrical Code requirements, the serving utility may have special requirements for metering devices. Confirm meter socket acceptance prior to order placement.



MS14TB

RING TYPE RESIDENTIAL SOCKETS (NO DISCONNECT) 600V AC MAX. ①

1 PHASE 3 WIRE

Amps Cont. Duty	Service	Catalog Number	Lugs	No. of Jaws	5th Jaw	Hub	Dimensions (inches) ②			K.O. Fig.
							Height	Width	Depth	
135	OH/UG	SUAT121-0GWR	#14-2/0	4	EC659-0121	RX	11.70	8.00	3.70	19
135	OH	SUAT121-BGWR	#14-2/0	4	EC659-0121	1-1/4" Inst.	11.70	8.00	3.70	19
135	UG	SUAT121-PGWR	#14-2/0	4	EC659-0121	RX	11.70	8.00	3.70	19
200	OH	SUAT327-0GWR	#6-350 kcmil	4	EC659-0121	RX.	14.80	8.00	4.50	20
200	OH/UG	SUAT427-XMWR	#6-350 kcmil	4	EC659-0121	RX.	14.80	11.00	4.50	21
200	UG	SUAT427-PMCO	#6-350 kcmil	5	Installed	RX.	14.80	11.00	4.50	22

RING TYPE COMMERCIAL SAFETY SOCKETS (NO DISCONNECT) 600V AC MAX., TEST BLOCK BYPASS

Amps Cont. Duty	Catalog Number	Load	Lugs	No. of Jaws	5th Jaw	Hub	Dimensions (inches) ②			K.O. Fig.
							Height	Width	Depth	
1 PHASE 3 WIRE										
100	MS14TB	Top & Bottom Exit	#6-2/0 box lug	4	UX001WL	RX	24.00	12.50	4.88	5
200	MS24TB	Top & Bottom Exit	#1/0-250 kcmil	4	UX005B	HC	30.00	14.25	6.38	6
3 PHASE 3 WIRE										
100	MS15TB ③	Top & Bottom Exit	#6-2/0 box lug	5	Installed	RX	24.00	12.50	4.88	5
200	MS25TB ④	Top & Bottom Exit	#1/0-250 kcmil	5	Installed	HC	30.00	14.25	6.38	6
3 PHASE 4 WIRE										
100	MS17TB	Top & Bottom Exit	#6-2/0 box lug	7	–	RX	24.00	12.50	4.88	5
200	MS27TB	Top & Bottom Exit	#1/0-250 kcmil	7	–	HC	30.00	14.25	6.38	6

① Sockets are UL listed for OH or UG service as indicated, but do not meet EUSERC specifications. Sealing ring included.

② Dimensions shown are representative of outside box length, width and depth, and do not include allowances for mounting bumps, endwalls, covers hubs or hardware protrusions.

③ Main breaker not included.

④ 5th jaw at 9 o'clock.

④ 5th jaw at 6 o'clock.

EUSERC Commercial Metering

400A CT Meter Cabinets

FEATURES

- Rated up to 600 volts
- 200A and 400A services
- Accepts bar-type CTs
- Indoor (Type 1) and outdoor (Type 3R) rated
- EUSERC approved
- 4-15 terminal available

CT MOUNTING BASES 400A MAX.

Catalog Number	Service	Max. AIC	Wire Range
RT6019A	1 phase/ 3 phase 3 wire	10	(2) NEMA Studs
RT6019HA	1 phase	50	(2) NEMA Studs
RT6067A	3 phase/ 4 wire	10	(2) NEMA Studs
RT6067HA	3 phase/ 4 wire	50	(2) NEMA Studs

400A TRANSFORMER RATED CT-METER CABINET (NO DISCONNECT) 600V AC MAX. ①

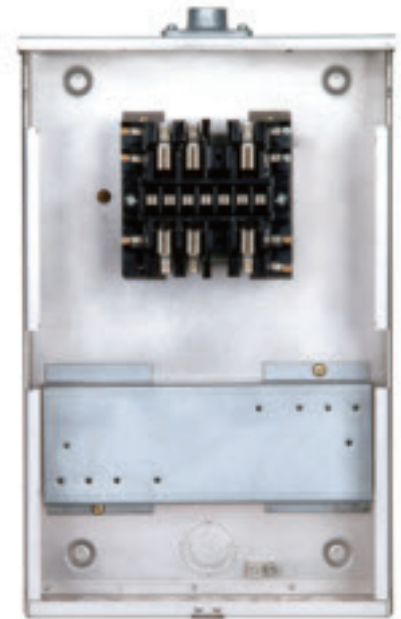
Amps Cont. Duty ③	Catalog Number	Service	No. of Jaws	Hub	Dimensions (inches) ②			K.O. Fig.
					Height	Width	Depth	
1 PHASE 3 WIRE								
400	RTU121814	UG	4	-	52.00	24.00	11.00	11
400	RTU121815	UG	5	-	52.00	24.00	11.00	11
3 PHASE 3 WIRE								
400	RTU121818	UG	8	-	52.00	24.00	11.00	11
3 PHASE 3 WIRE OR 3 PHASE 4 WIRE								
400	RTU121413 ④	OH/UG	13	RX	20.00	12.00	4.63	12
400	RTU122015	UG	15	-	52.00	36.00	11.00	11

① CT mounting base not included. Order from chart below.

② Dimensions shown are representative of outside box length, width and depth and do not include allowances for mounting bumps, endwalls, covers hubs or hardware protrusions.

③ CT rating. Meter socket rated at 20 amps.

④ Includes test switch provision.



9387-XXXX

Transformer Rated Sockets

FEATURES

- Ring and ringless types available
- 6, 8, and 13 terminals available
- Steel or aluminum construction
- Split or solid cover options
- Test switch provision
- Prewired units available (contact local Siemens sales office)

Cover Style	Service	Dimensions (inches)			Hub Opening	No. of Terminals	Catalog Number	
		Height	Width	Depth			Aluminum	Steel
Ring-split	OH	20	12	4.5	1" hub installed	6	-	9837-8215
Ringless	OH/UG	20	12	4.5	RX opening	6	-	9837-8245
Ringless	OH/UG	20	12	4.5	RX closure plate	8	-	9837-8405
Ringless	OH	20	12	4.5	1" hub installed	8	-	9837-8415
Ringless	OH/UG	20	12	4.5	RX opening	8	-	9837-8445
Ringless	OH/UG	20	12	4.5	RX closure plate	13	9837-8540	9837-8505
Ringless	OH	20	12	4.5	1" hub installed	13	9837-8514	9837-8515
Ringless	OH	20	12	4.5	1.25" hub installed	13	-	9837-8525
Ringless	OH	20	12	4.5	1.50" hub installed	13	-	9837-8535
Ringless	OH/UG	20	12	4.5	RX opening	13	-	9837-8545

EUSERC Commercial Metering Meter Main Combinations

DESIGN / PERFORMANCE FEATURES

- Outdoor/Indoor – one design for either installation.
- Ring Type – meets requirements for various ring type locking provisions.
- Test Block Bypass installed – easy servicing without interruption.
- Main Breaker field installed – adaptable to the job.
- Main T-Fuse Puller factory installed (less fuses) – adaptable to the job.

SYSTEMS / SPECIFICATIONS

- 100/200 amp maximum meter
- 120/240V AC, 1 phase 3 wire, 4 jaw
- 208Y/120V AC, 3 wire network, 5 jaw or 3 phase 4 wire, 7 jaw
- 240V AC, 1 phase 3 wire, 3 phase 3 wire, or 3 phase 4 wire, 4, 5 or 7 jaw
- 10,000 to 100,000 AIC
- EUSERC SEC #300



MM0202F3100CESS

In addition to local code and National Electrical Code requirements, the serving utility may have special requirements for metering devices. Confirm meter socket acceptance prior to order placement.

RING-TYPE METER MAIN COMBINATIONS (100-200A MAX.)

Test Block Bypass, 240V AC Max.													
Amps Cont. Duty	Max. AIC	Tenant Main①	Circuit Breaker Prov.	Service	Jaws	Catalog Number	Service	Dimensions (inches) ②			Wire Range AL/CU	Hub Prov.	K.O. Fig.
								Height	Width	Depth			
100	65,000	Circuit Breaker Prov.	QP, QPH, HQP	1 phase 3 wire	4	MM0202L1100ESS	OH	36.00	12.50	4.88	#6-2/0 Box Lug	RX	7
					7	MM0202L3100ESS	OH						7
100	100,000	T-Fuse Puller	None	1 phase 3 wire	4	MM0202F1100ESS	OH	36.00	12.50	4.88	#6-2/0 Box Lug	RX	7
					7	MM0202F1100CESS	OH/UG	24.00	20.13	4.88			9
					7	MM0202F3100ESS	OH	36.00	12.50	4.88			7
					7	MM0202F3100CESS	OH/UG	24.00	20.13	4.88			9
200	35,000	Circuit Breaker Prov.	QJ2, QJH2, HQJ2, HQJH2	1 phase 3 wire	4	MM0202L1200ESS	OH	45.00	14.25	6.38	#1/0-250 kcmil	HC	8
					7	MM0202L1200CESS	OH/UG	30.00	24.25	6.38			10
					7	MM0202L3200CESS	OH/UG	45.00	14.25	6.38			8
					7	MM0202L3200CESS	OH/UG	30.00	24.25	6.38			10
200	100,000	T-Fuse Puller	None	1 phase 3 wire	4	MM0202F1200ESS	OH	45.00	14.25	6.38	#1/0-250 kcmil	HC	8
					7	MM0202F1200CESS	OH/UG	30.00	24.25	6.38			10
					7	MM0202F3200ESS	OH	45.00	14.25	6.38			8
					7	MM0202F3200CESS	OH/UG	30.00	24.25	6.38			10

① Price does not include breaker or fuses.

② Dimensions shown are representative of outside box length, width and depth, and do not include allowances for mounting bumps, endwalls, covers, hubs or hardware protrusions.

EUSERC Commercial Metering Meter Load Center Combinations

DESIGN / PERFORMANCE FEATURES

- Outdoor/Indoor – one design for either installation.
- Ring Type – meets requirements for various ring type locking provisions.
- Test Block Bypass installed – easy servicing without interruption.
- Main Breaker factory installed.
- Main T-Fuse Puller factory installed (less fuses).
- Compact wall-hung design reduces material and labor costs.

SYSTEMS / SPECIFICATIONS

- 100/200 amp maximum meter
- 120/240V AC, 1 phase 3 wire, 4 jaw
- 240V AC, 3 phase 4 wire, 7 jaw
- 10,000 to 100,000 AIC
- EUSERC SEC #300

In addition to local code and National Electrical Code requirements, the serving utility may have special requirements for metering devices. Confirm meter socket acceptance prior to order placement.



MC3040MB22SS

RING-TYPE COMMERCIAL METER LOAD CENTER COMBINATIONS (100-400A MAX.)

Test Block Bypass, 240V AC Max.													
Amps Cont. Duty	Main Breaker	No. of Spaces	Max. Circuits	Service	Catalog Number	AIC Rating		Dimensions (inches) ①			Wire Range AL/CU	Hub Prov.	K.O. Fig.
						Std. (K)	Max. (K)	H.	W.	D.			
1 PHASE – 3 WIRE, 4 JAWS, FACTORY INSTALLED MAIN BREAKER													
100	Q2100	10	20	OH/UG	MC1020B1100ESS ②	10	65	36.00	12.50	4.88	#6-2/0 box lug	RX	11
			24		MC1224B1100CESS ②	10	42	24.00	20.13	4.88	#6-2/0 box lug	RX	12
200	QN2200RH	24	40	OH/UG	MC2440B1200CESS ②	10	22	30.00	25.75	6.38	#1/0-250 kcmil	HC	13
320	QN2200RH	30	30	UG	MC3040MB21SS ⑤	22	22	40.07	30.25	5.94	1 set of 2 studs per leg	HV	18
			40		MC3040MB22SS ⑥	22	22	40.07	30.25	5.94		HV	18
3 PHASE – 4 WIRE, 7 JAWS, FACTORY INSTALLED T-FUSE PULLER ③													
100	T-Fuse Prov.	18	30	OH/UG	MC1830F3100CESS ④	100	100	26.00	24.25	4.88	#6-2/0 box lug	RX	14
200	T-Fuse Prov.	24	42	OH/UG	MC2442F3200CESS ④	100	100	2.00	27.25	6.38	#1/0-250 kcmil	HC	15

- ① Dimensions shown are representative of outside box length, width and depth, and do not include allowances for mounting bumps, endwalls, covers, hubs or hardware protrusions.
- ② UL listed to field change main breaker to higher AIC.
- ③ Price does not include uses.
- ④ Series rated for standard 10,000 AIC type QP branch circuit breakers.

- ⑤ One QN2200RH installed. Provisions for one additional subfeed QP or QPH (100 amps max.) breaker service disconnect to feed a remote load.
- ⑥ One QN2200RH installed. Provisions for one additional subfeed QNR or QNRH breaker type service disconnect to feed a remote load.



All-In-One Pak Metering

New and Improved!

Smaller, more compact design!
enclosures are lighter and use less wall space

Factory options!
5th jaw and horn bypass

Double barrel connectors
available for parallel feed

Stud Kits
for line compression lugs available

More secure design!
greater utility acceptance

EUSERC designs!
All ring style designs! are EUSERC approved



Siemens Exclusive

Floating deadfront!
eliminates need for cover alignment

Siemens Exclusive

Deadfront knockouts!
eliminates need for filler plates

Siemens Exclusive

Angled circuit breaker!
for ease of installation

Centrally located neutral
minimizes neutral conductor length

Back and Bottom Exit
for load conductors

Single piece tenant cover!
easy installation

Catalog Number Logic

Example: SP6511RJB

S

S = Siemens

P

P = PAK

6

0 = No bussing
2 = 200 Amp
3 = 300 Amp
4 = 400 Amp
5 = 500 Amp
6 = 600 Amp

5

Number of Meter Sockets (2-6)

1

1 = Single Phase

1

1 = 125A Socket Rating

2 = 200A Socket Rating

RJB

R = Ringless
J = 5th Jaw
B = Horn Bypass

All-In-One Pak Metering Ring Type Units



SP2211

FEATURES

- Individual split covers.
- UL Listed for 60/75°C conductors. See equipment markings for applications.
- Outdoor surface mounted enclosures field convertible to semi-flush applications.
- Top or bottom feed.
- Back and bottom branch wiring exits.
- Meets EUSERC specifications when NEMA stud kit is field added.
- 1 phase, 4 jaw sockets, 120/240V AC Max.

1 PHASE, 3 WIRE SN											
Amps Cont. Duty Per Position	Bus Amps	Meter Positions Per Pak	Catalog Number	Circuit Breaker Provision	Max. AIC	Dimensions (inches) ①			5th Jaw Assembly ②	Line Lugs Wire Range	Semi-Flush Kit Catalog Number
						Height	Width	Depth			
125	200	2	SP2211	QP,	65,000	37.50	13.50	6.00	GM5J	#6-300 kcmil	SP221FK
125	300	3	SP3311	QPH,	65,000	38.40	25.20	7.50	GM5J	#2-600 kcmil	SP331FK
125	400	4	SP4411	HQP	65,000	47.40	25.20	7.50	GM5J	(1) 1/0-750 kcmil	SP441FK
125	400	5	SP4511		65,000	38.40	39.20	7.50	GM5J	or	SP4561FK
125	400	6	SP4611		65,000	38.40	39.20	7.50	GM5J	(2) 1/0-250 kcmil	SP4561FK
125	500	4	SP5411		65,000	47.40	31.50	7.50	GM5J		SP541FK
125	600	5	SP6511		65,000	38.40	45.20	7.50	GM5J	(2) #2-600 kcmil	SP6561FK
125	600	6	SP6611		65,000	38.40	45.20	7.50	GM5J		SP6561FK
200	400	2	SP4212	QP QPH,	100,000	31.50	30.75	7.50	GM5J	(1) 1/0-750 kcmil	SP422FK
200	400	3	SP4312	HQP, QPP	100,000	38.44	30.75	7.50	GM5J	or	SP432FK
200	400	4	SP4412	QPHH,	100,000	47.44	30.75	7.50	GM5J	(2) 1/0-250 kcmil	SP442FK
200	600	4	SP6412	HQPP,	100,000	47.44	36.75	7.50	GM5J		SP642FK
200	600	5	SP6512	HQPPH	100,000	38.44	54.44	7.50	GM5J	(2) #2-600 kcmil	SP6562FK
200	600	6	SP6612		100,000	38.44	54.44	7.50	GM5J		SP6562FK

① Dimensions shown are representative of outside box length, width and depth, and do not include allowances for mounting bumps, endwalls, covers, hubs, or hardware protrusions.

② Order Catalog No. ECOMMISJ for insulated 5th jaw.

All-In-One Pak Metering Accessories

Description	Catalog Number
5TH JAW KITS	
All Types	Grounded GM5J Insulated ECOMMISJ
BYPASS KITS	
Slider Bypass	100 Amp ECMBP1U 200 Amp ECMBP2U
Horn Bypass	ECHBK
COVER PLATES	
Ring Style	ECPP
Ringless Style	ECP3
SEALING RINGS	
Snap-On Type Aluminum	SRSS
Screw Type Stainless Steel	SRSW

Description	Catalog Number
FILLER PLATES	
1"	ECOF3
4" to 2"	ECCP3U
NEMA STUD KITS (Meets EUSERC Requirements)	
400 Amp Bus	NSK400
600 Amp Bus	NSK600
LUGS FOR NEMA STUD KITS	
(2) #6-350 kcmil	SUK350TA
(1) #2-600 kcmil	SUK600TA
(2) #500-1000 kcmil	SUK1000TA
ALTERNATE LUG KITS	
400 Amp Bus	PLK400
600 Amp Bus	PLK600

Description	Catalog Number
TYPE "HS" CONDUIT HUBS	
1"	ECHS100
1-1/4"	ECHS125
1-1/2"	ECHS150
2"	ECHS200
2-1/2"	ECHS250
Closure Plate	ECHS000
TYPE "HD" CONDUIT HUBS	
2"	EC56854
2-1/2"	EC56855
3"	EC56856
3-1/2"	EC56857
4"	EC56858
Closure Plate	EC56933S

Modular Metering Service Entrance Modules – 1 Phase

FEATURES

- Mains available in fusible or circuit breaker style.
- 400-800A fusible mains and all tap boxes are invertible for top or bottom feed.
- 100,000A IC standard on fusible main disconnects and tap boxes.
- 65,000A IC standard for circuit breakers (100,000A IC versions available. Add suffix "U" to catalog number. Adder applies.)
- All mains fully bussed to connect with stacks on either side.
- End plates included.

SELECTION GUIDE

- Always check with the utility and local inspection authorities to verify all application requirements.
- Select fusible or circuit breaker main after determination of amps, volts, service, and AIC.
- Fusible mains and tap boxes are invertible for top or bottom feed. Breaker modules are available in dedicated top or bottom feed versions. Add suffix "BF" to circuit breaker mains for bottom feed.



WMC4

1 PHASE, 3 WIRE SN, INCOMING, 120/240V AC MAX.								
Ampere Rating	Max. Interrupting Rating	Outdoor Encl. Catalog Number	Fuse or Circuit Breaker Type	Service Feed	Line Terminal Lugs No. and Size Per Line and Neutral ②	Dimensions (inches) ①		
						Height	Width	Depth Outdoor
CIRCUIT BREAKER MODULES ③								
400	65,000	WMC4	JXD6	OH	(2) #1-500 kcmil	33.00	15.09	15.00
600	65,000	WMC6	LXD6	OH	(2) #1-500 kcmil	37.00	15.09	15.00
800	65,000	WMC8	MD6	OH	(3) #1/0 400 kcmil ④	43.00	20.09	15.00
1000	65,000	WMC10	ND6	OH	(4) #2-500 kcmil ⑤	50.00	20.09	15.00
1200	65,000	WMC12	ND6	OH	(4) #2-500 kcmil ⑤	50.00	20.09	15.00
1600	65,000	WMC16 ⑥	PD6	OH	(5) 300-600 kcmil	62.00	25.03	17.50
FUSIBLE SWITCH MODULES ⑦⑧								
200	100,000	WMP02U ⑨	T	OH/UG	(1) #6-250 kcmil	33.00	12.00	13.00
400	100,000	WMS4U	T	OH/UG	(2) #4-500 kcmil	33.50	15.00	16.00
600	100,000	WMS6U	T	OH/UG	(2) #4-500 kcmil	41.50	15.00	16.00
800	100,000	WMS8U	T	OH/UG	(3) #4-500 kcmil	41.50	15.00	16.00
1200	100,000	WMS12U	T	UG	(4) #250-500 kcmil	50.00	20.00	15.00
TAP BOX MODULES ⑩								
800	100,000	WMTB80	–	OH/UG	(3) 1/0-400 kcmil	39.00	12.00	12.00
1200	100,000	WMTB120	–	OH/UG	(4) 250-600 kcmil	41.00	15.00	16.00
1600	100,000	WMTB160	–	OH/UG	(5) 300-600 kcmil	41.75	25.00	14.00
COMBINATION FUSIBLE SWITCH & PULL BOX MODULES (MEETS EUSERC REQUIREMENTS)								
400	100,000	WMS4UPBU	T	UG	1 Set of 2 Studs	50.06	25.50	15.00
600	100,000	WMS6UPBU	T	UG	1 Set of 2 Studs	50.06	25.50	15.00
800	100,000	WMS8UPBU	T	UG	1 Set of 2 Studs	50.06	25.50	15.00
PULL BOX MODULES (NO THRU-BUS, INCLUDES LUG LANDINGS)								
400	65,000	WMMB1400	–	OH/UG	1 Set of 2 Studs	37.50	16.69	9.34
800	65,000	WMMB1800	–	OH/UG	1 Set of 2 Studs	45.50	19.44	12.72
1200	65,000	WMMB11200	–	OH/UG	1 Set of 2 Studs	47.50	25.94	12.72

① Dimensions shown are representative of outside box length, width, and depth, and do not include allowances for mounting bumps, endwalls, covers, hubs, or hardware protrusions.
② Lugs may be larger than wire range given. Wire range given is according to amount of wire bend space available.

③ Main circuit breakers are top feed. Consult sales office for bottom feed applications.
④ Lugs rated for 500 kcmil. Wire bend space limits neutral lug to 400 kcmil.
⑤ Neutral on bottom feed units will only accept (2) #1-500 kcmil.

⑥ 1200 amp maximum feed per side.
⑦ Fuses not included
⑧ Fusible switches, except 1200 amp, are top feed, invertible for bottom feed.
⑨ Fusible pull-out switch.
⑩ Coupler not included.

Modular Metering

Service Entrance Modules – 3 Phase

FEATURES

- Mains available in fusible or circuit breaker style.
- 400-800A fusible mains and all tap boxes are invertible for top or bottom feed.
- 100,000A IC standard on fusible main disconnects and tap boxes.
- 65,000A IC standard for circuit breakers (100,000A IC versions available. Add suffix "U" to catalog number. Adder applies.)
- All mains fully bussed to connect with stacks on either side.
- End plates included.

SELECTION GUIDE

- Always check with the utility and local inspection authorities to verify all application requirements.
- Select fusible or circuit breaker main after determination of amps, volts, service, and AIC.
- Fusible mains and tap boxes are invertible for top or bottom feed. Breaker modules are available in dedicated top or bottom feed versions. Add suffix "BF" to circuit breaker mains for bottom feed.



WMS44U

3 PHASE, 4 WIRE SN, INCOMING, 120/240V AC MAX.								
Ampere Rating	Max. Interrupting Rating	Outdoor Encl. Catalog Number	Fuse or Circuit Breaker Type	Service Feed	Line Terminal Lugs No. and Size Per Line and Neutral ②	Dimensions (inches) ①		
						Height	Width	Depth Outdoor
CIRCUIT BREAKER MODULES ③								
400	65,000	WMC44	JXD6	OH	(2) #1-500 kcmil	33.00	15.09	15.00
600	65,000	WMC64	LXD6	OH	(2) #1-500 kcmil	37.00	15.09	15.00
800	65,000	WMC84	MD6	OH	(3) #1/0 400 kcmil ④	43.00	20.09	15.00
1000	65,000	WMC104	ND6	OH	(4) #2-500 kcmil ⑤	50.00	20.09	15.00
1200	65,000	WMC124	ND6	OH	(4) #2-500 kcmil ⑤	50.00	20.09	15.00
1600	65,000	WMC164 ⑥	PD6	OH	(5) 300-600 kcmil	62.00	25.03	17.50
FUSIBLE SWITCH MODULES ⑦⑧								
200	100,000	WMP024U⑨	T	OH/UG	(1) #6-250 kcmil	33.00	12.00	13.00
400	100,000	WMMS44U	T	OH/UG	(2) #4-500 kcmil	33.50	15.00	16.00
600	100,000	WMMS64U	T	OH/UG	(2) #4-500 kcmil	41.50	15.00	16.00
800	100,000	WMMS84U	T	OH/UG	(3) #4-500 kcmil	41.50	15.00	16.00
1200	100,000	WMMS124U	T	UG	(4) #250-500 kcmil	50.00	20.00	15.00
TAP BOX MODULES ⑩								
800	100,000	WMTB84U	–	OH/UG	(3) 1/0-400 kcmil	39.00	12.00	12.00
1200	100,000	WMTB124U	–	OH/UG	(4) 250-600 kcmil	41.00	15.00	16.00
1600	100,000	WMTB164U	–	OH/UG	(5) 300-600 kcmil	41.75	25.00	14.00
COMBINATION FUSIBLE SWITCH & PULL BOX MODULES (MEETS EUSERC REQUIREMENTS)								
400	100,000	WMS44UPBU	T	UG	1 Set of 2 Studs	50.06	25.50	15.00
600	100,000	WMS64UPBU	T	UG	1 Set of 2 Studs	50.06	25.50	15.00
800	100,000	WMS84UPBU	T	UG	1 Set of 2 Studs	50.06	25.50	15.00
PULL BOX MODULES (NO THRU-BUS, INCLUDES LUG LANDINGS)								
400	65,000	WMMB3400	–	OH/UG	1 Set of 2 Studs	37.50	16.69	9.34
800	65,000	WMMB3800	–	OH/UG	1 Set of 2 Studs	45.50	19.44	12.72
1200	65,000	WMMB31200	–	OH/UG	1 Set of 2 Studs	47.50	25.94	12.72

① Dimensions shown are representative of outside box length, width and depth, and do not include allowances for mounting bumps, endwalls, covers, hubs, or hardware protrusions.

② Lugs may be larger than wire range given. Wire range given is according to amount of wire bend space available.

③ Main circuit breakers are top feed. Consult sales office for bottom feed applications.

④ Lugs rated for 500 kcmil. Wire bend space limits neutral lug to 400 kcmil.

⑤ Neutral on bottom feed units will only accept (2) #1-500 kcmil.

⑥ 1200 amp maximum feed per side.

⑦ Fuses not included

⑧ Fusible switches, except 1200 amp, are top feed, invertible for bottom feed.

⑨ Fusible pull-out switch.

⑩ Coupler not included.

Modular Metering

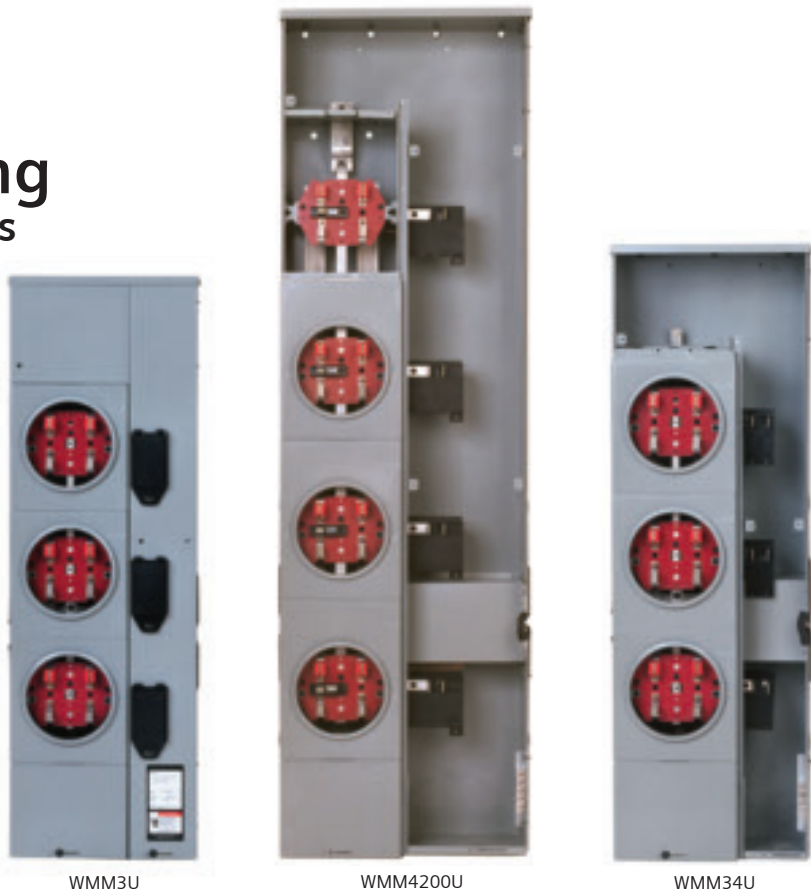
Ring Type Meter Modules

FEATURES

- UL Listed for 60/75° C conductors. See equipment markings for applications.
- Individual split covers with barrel lock compatibility.
- Interconnectable with discontinued "MM" modular metering.①
- Finish is ANSI #61 light gray enamel electrodeposited on zinc-coated G90 steel.
- 200A units UL Listed for use on systems capable of delivering up to 100,000 RMS symmetrical amperes maximum short circuit current.

SERIES TESTED SYSTEMS

Specify Siemens Modular Metering Equipment in conjunction with EQ® III or Ultimate® Load Centers



1 Phase, 3 Wire SN, Incoming and Outgoing, Ring Type Gangable Meter Stack

Continuous Duty Amps Per Position	Meter Positions Per Stack	Catalog Number	Breaker Provision	Maximum AIC ③	Dimensions (inches) ②			5th Jaw Assembly ①	Horn Bypass Kit
					Height	Width	Depth		
1 PHASE 4-JAW SOCKETS, 1 PHASE-3 WIRE THRU-BUS 120/240V AC MAX.									
125	2	WMM2U	QP, QPH, HQP	65,000	32.41	13.44	7.84	ECMM5J	ECHBK
	3	WMM3U		65,000	41.41	13.44	7.84	ECMM5J	ECHBK
	4	WMM4U		65,000	50.41	13.44	7.84	ECMM5J	ECHBK
	5	WMM5U		65,000	59.41	13.44	7.84	ECMM5J	ECHBK
	6	WMM6U		65,000	68.41	13.44	7.84	ECMM5J	ECHBK
200	2	WMM2200U	QPP, QPPH, HQQP, HQPPH,	100,000	36.41	17.44	7.84	ECMM5J	ECHBK
	3	WMM3200U	QP, QPH, HQP ④	100,000	47.41	17.44	7.84	ECMM5J	ECHBK
	4	WMM4200U		100,000	58.41	17.44	7.84	ECMM5J	ECHBK

3 Phase, 4 Wire SN, Incoming and 1 Phase, 3 Wire SN Outgoing, Ring Type Gangable Meter Stack

Continuous Duty Amps Per Position	Meter Positions Per Stack	Catalog Number	Breaker Provision	Maximum AIC ③	Dimensions (inches) ②			5th Jaw ① Assembly	Horn Bypass Kit	Stock Phasing Phases/Socket
					Height	Width	Depth			
1 PHASE 5-JAW SOCKETS, 3 PHASE-4 WIRE THRU-BUS 208Y/240V AC ⑤										
125	3	WMM34U	QP, QPH, HQP	65,000	41.41	13.44	7.84	Installed	ECHBK	1-AB, 1-BC, 1-CA
	4	WMM44ABU		65,000	50.41	13.44	7.84	Installed	ECHBK	2-AB, 1-BC, 1-CA
	4	WMM44BCU		65,000	50.41	13.44	7.84	Installed	ECHBK	2-BC, 1-AC, 1-AB
	4	WMM44CAU		65,000	50.41	13.44	7.84	Installed	ECHBK	2-AB, 1-BC, 1-CA
	5	WMM54ABU		65,000	59.41	13.44	7.84	Installed	ECHBK	1-AB, 2-BC, 2-CA
	6	WMM64U		65,000	68.41	13.44	7.84	Installed	ECHBK	2-AB, 2-BC, 2-CA
200	2	WMM24AB200U	QPP, QPPH,	100,000	36.41	17.44	7.84	Installed	ECHBK	1-BC, 1-CA
	3	WMM34200U	HQQP, HQPPH,	100,000	47.41	17.44	7.84	Installed	ECHBK	1-AB, 1-BC, 1-CA
	4	WMM44AB200U	HQQP, HQPPH,	100,000	58.41	17.44	7.84	Installed	ECHBK	2-AB, 1-BC, 1-CA
	4	WMM44BC200U	HQPPH,	100,000	58.41	17.44	7.84	Installed	ECHBK	2-BC, 1-AC, 1-AB
	4	WMM44CA200U	QP, QPH, HQP ④	100,000	58.41	17.44	7.84	Installed	ECHBK	2-AB, 1-BC, 1-CA
	4	WMM54AB200U		100,000	69.41	17.44	7.84	Installed	ECHBK	2-AC, 2-BC, 1-AB
	4	WMM54BCB200U		100,000	69.41	17.44	7.84	Installed	ECHBK	2-AC, 2-AB, 1-BC
	4	WMM54CAB200U		100,000	69.41	17.44	7.84	Installed	ECHBK	2-AB, 2-BC, 1-AC

① Order ECMM5J for insulated 5th jaw.

② Dimensions shown are representative of outside box length, width and depth, and do not include

allowances for mounting bumps, endwalls, covers, hubs or hardware protrusions.

③ Max. AIC determined by maximum AIC of tenant breakers. Higher ratings may be

achieved thru approved series rating combinations. Order filler plate ECCP3U if using standard 2" wide circuit breaker (QP).

⑤ Not for use on 3 phase, 4 wire delta systems.

Modular Metering

Commercial Meter Modules ^{①②③⑥}

225A Maximum
1 Phase, 3 Wire SN
Incoming and Outgoing
120/240 VOLT AC
225 AMPERE, 1 PHASE SOCKET ^{④⑤}
 Use Type QP, QPH, HQP, QPP, QPPH,
 HQPP, HQPPH circuit breakers,
 2-pole (plug-in)

Ampere Rating	No. of Meter Sckts.	Catalog Number
1200	1	W1MM1225SS
	2	W1MM2225SS
	3	W1MM3225SS
	4	W1MM4225SS

3 Phase, 4 Wire SN, Incoming
1 Phase, 3 Wire SN, Outgoing
120/208 VOLT AC
225 AMPERE, 1 PHASE SOCKET ^{④⑤}
 Use Type QP, QPH, HQP, QPP, QPPH,
 HQPP, HQPPH circuit breakers,
 2-pole (plug-in)

Ampere Rating	No. of Meter Sckts.	Catalog Number
1200	1	W2MM1225SS
	2	W2MM2AB225SS
	2	W2MM2BC225SS
	2	W2MM2CA225SS
	3	W2MM3225SS
	4	W2MM4AB225SS
	4	W2MM4BC225SS
	4	W2MM4CA225SS

3 Phase, 4 Wire SN, Incoming
1 Phase, 3 Wire SN, Outgoing
120/208 VOLT AC
200 AMPERE, 3 PHASE SOCKET ^{④⑤}
 Use Type QJ2, QJH2, QJ2H, HQJ2H
 circuit breakers,
 3-pole (bolt-on)

Ampere Rating	No. of Meter Sckts.	Catalog Number
1200	1	W3MM1200SS
	2	W3MM2200SS
	3	W3MM3200SS
	4	W3MM4200SS

Note: All meter modules are supplied with one hanger bracket and one single bolt joint. Lag screws for hanger bracket and mounting brackets are not included.

- ① When adding modular metering modules to old installation, replace metal end closure plate with plastic end closure plate. Catalog Number WMEP.
- ② Meter socket is plug-in lever bypass clamping jaw type except where noted.
- ③ 200A units UL Listed for use on systems capable of delivering up to 100,000 RMS symmetrical amperes maximum short circuit current.
- ④ 200A sockets are rated continuous duty.
- ⑤ 200A maximum breaker size.
- ⑥ Available July 2005.



Plug-In Circuit Breakers

Types QP, QPH, and HQP with INSTA-WIRE[®], QN and QNH

1-POLE (120V AC) ①			
Continuous Current Rating @40°C	TYPE QP 10,000A IR Catalog Number	TYPE QPH 22,000A IR Catalog Number	TYPE HQP 65,000A IR Catalog Number
15	Q115 ②	Q115H ②	Q115HH ②③
20	Q120 ②	Q120H ②	Q120HH ②③
25	Q125	Q125H ③	Q125HH ③
30	Q130	Q130H	Q130HH ③
35	Q135 ③	Q135H ③	Q135HH ③
40	Q140	Q140H	Q140HH ③
45	Q145 ③	Q145H ③	Q145HH ③
50	Q150	Q150H	Q150HH ③
60	Q160	Q160H ③	Q160HH ③
70	Q170	Q170H ③	Q170HH ③
2-POLE COMMON-TRIP (120/240V AC) ①			
Continuous Current Rating @40°C	TYPE QP 10,000A IR Catalog Number	TYPE QPH 22,000A IR Catalog Number	TYPE HQP 65,000A IR Catalog Number
15	Q215	Q215H	Q215HH
20	Q220	Q220H	Q220HH
25	Q225	Q225H ③	Q225HH ③
30	Q230	Q230H	Q230HH
35	Q235	Q235H ③	Q235HH ③
40	Q240	Q240H	Q240HH ③
45	Q245	Q245H ③	Q245HH ③
50	Q250	Q250H	Q250HH
60	Q260	Q260H	Q260HH
70	Q270	Q270H	Q270HH
80	Q280	Q280H ③	-
90	Q290	Q290H	Q290HH ③
100	Q2100	Q2100H	Q2100HH
110	Q2110	Q2110H	Q2110HH ③
125	Q2125	Q2125H	Q2125HH
2-POLE COMMON-TRIP (240V AC) ①②			
Continuous Current Rating @40°C	TYPE QP 10,000A IR Catalog Number	TYPE QPH 22,000A IR Catalog Number	TYPE HQP 65,000A IR Catalog Number
15	Q215R	-	-
20	Q220R	-	-
30	Q230R	-	-
40	Q240R	-	-
50	Q250R	-	-
60	Q260R	-	-
70	Q270R	-	-
100	Q2100R ③	-	-
3-POLE COMMON-TRIP (240V AC) ①			
Continuous Current Rating @40°C	TYPE QP 10,000A IR Catalog Number	TYPE QPH 22,000A IR Catalog Number	TYPE HQP 65,000A IR Catalog Number
15	Q315	Q315H	Q315HH ③
20	Q320	Q320H	Q320HH
25	Q325	Q325H ③	-
30	Q330	Q330H	Q330HH
35	Q335	-	-
40	Q340	Q340H	Q340HH
45	Q345	-	-
50	Q350	Q350H	Q350HH
60	Q360	Q360H	Q360HH
70	Q370	Q370H	Q370HH ③
80	Q380	Q380H	Q380HH ③
90	Q390	Q390H	Q390HH ③
100	Q3100	Q3100H	Q3100HH



1-Pole
Type QP



2-Pole
Type QP



3-Pole
Type QP



Type QN



Type QNH

Type QN and QNH			
Breaker Type	Amp. Rtg.	10K AIR Catalog Number	22K AIR Catalog Number
QN 2-Pole 120/240V AC	150	QN2150	QN2150R
	175	QN2175③	QN2175R③
	200	QN2200	QN2200R
QNH 2-Pole 120/240V AC	150	QN2150H	QN2150RH
	175	QN2175H③	QN2175RH③
	200	QN2200H	QN2200RH

① HACR rated.

② UL listed for frequent switching applications (SWD). 120V AC fluorescent lighting.

③ Built to order. Allow 2-3 weeks for delivery.

Plug-In Circuit Breakers

Duplex, Triplex, Quadplex, GFCIs, AFCIs and Surge Products



Duplex

Triplex



Quadplex



1 & 2-Pole GFCIs



1-Pole AFCI



2-Pole AFCI



CB/SSA
TVSS

DUPLEX CIRCUIT BREAKERS			
Breaker Type	Ampere Rating	Catalog Number	Catalog Number
QT	15-15	Q1515	Q1515NC ①
1-Pole	15-20	Q1520	Q1520NC ①
10K AIC	20-20	Q2020	Q2020NC ①
120V AC	20-30	Q2030	-
	15-30 ②	Q3015	-
	20-30	Q3020	-
	30-30	Q3030	Q3030NC ①

TRIPLEX CIRCUIT BREAKERS			
Breaker Type	Ampere Rating		Catalog Number
	Single Pole	Common-Trip 2-Pole	
QT	15	15	Q21515CT
2-Pole	15	20	Q21520CT
10K AIC	15	25	Q21525CT ②
120/240V AC	15	30	Q21530CT
Center	15	35	Q21535CT ②
Common Trip	15	40	Q21540CT
	15	45	Q21545CT ②
	15	50	Q21550CT
	20	20	Q22020CT
	20	25	Q22025CT ②
	20	30	Q22030CT
	20	35	Q22035CT ②
	20	40	Q22040CT
	20	45	Q22045CT ②
	20	50	Q22050CT
	30	30	Q23030CT

QUADPLEX CIRCUIT BREAKERS			
Breaker Type	Ampere Rating		Catalog Number
	Inside 2-Pole	Outside 2-Pole	
QT	15	15	Q21515CT2
2-Pole	20	20	Q22020CT2
10K AIC	20	30	Q23020CT2
120/240V AC	20	40	Q24020CT2
Common Trip	30	30	Q23030CT2
	30	40	Q24030CT2
	40	40	Q24040CT2
	50	30	Q23050CT2

GROUND FAULT CIRCUIT INTERRUPTERS (Class A - 5mA)			
Breaker Type	Amp. Rtg.	10K AIR Catalog Number	22K AIR Catalog Number
QPF/QPHF	15	QF115①	QF115H①
1-Pole	20	QF120①	QF120H①②
120V	25	QF125②	-
AC	30	QF130	QF130H
QPF/QPHF	15	QF215	QF215H
2-Pole	20	QF220	QF220H
120/240V	30	QF230	QF230H
AC	40	QF240	QF240H
	50	QF250	QF250H
	60	QF260	QF260H

ARC FAULT CIRCUIT INTERRUPTERS (Class A - 5mA)			
Breaker Type	Amp. Rtg.	10K AIR Catalog Number	22K AIR Catalog Number
QAF/QAFH	15	Q115AF①	Q115AFH①②
1-Pole	20	Q120AF①	Q120AFH①②
120V AC			
QAF/QAFH	15	Q215AF	Q215AFH②
2-Pole	20	Q220AF	Q220AFH②
120/240V AC			

SURGE PROTECTION			
Breaker Type	Amp. Rtg.	10K AIR Catalog Number	Surge Type
QP①③	(2)15	QSA1515	Surge Arrester
1-Pole	(2)20	QSA2020	Surge Arrester
120/240V AC			Arrester
QP①③	(2)20	QSA2020TVSS	TVSS
1-Pole			
120/240V AC			

① UL listed for frequent switching applications (SWD). 120V AC fluorescent lighting.
 ② Built to order. Allow 2-3 weeks for delivery.
 ③ HACR rated.

Accessories

INTERCHANGEABLE HUBS	
Conduit Size (Ins. / lbs.)	Catalog Number
HS TYPE HUBS	
3/4	ECHS075
1	ECHS100
1-1/4	ECHS125
1-1/2	ECHS150
2	ECHS200
2-1/2	ECHS250
RX TYPE HUBS	
3/4	EC38594
1	EC38596
1-1/4	EC38597
1-1/2	EC38598
2	EC38599
2-1/2	EC38600
HC TYPE HUBS	
2	ECHC200
2-1/2	ECHC250
3	ECHC300
ACCESSORIES AND CLOSURE PLATES	
Adapter Plate	ECHCRXA
Closure Plates	
For HC Hubs	ECHC000
For HS Hubs	ECHS000
For HV Hubs	ECHV000
For RX Hubs	EC38595

SEALING RINGS (AI)	
Description	Catalog Number
Snap-on type	SX001M
Screw type	SX001M

BYPASS KITS	
Description	Catalog Number
Manual Bypass (ring style only)	MBP1U
Insul. 5th Jaw (ring style only)	MBP2U
200A Jumper (ring style only)	JSU
Horn Bypass Replacement	HBPU

COVER PLATE KITS	
Description	Catalog Number
Ring Style	CPP
Ringless Style	CP3

Description	Catalog Number
RT WIREWAY	
Termination Lugs	
(2) #6-350 kcmil	UK350TA
(1) #2-600 kcmil	UK600TA
(2) #500-1000 kcmil	UK1000TA

MISCELLANEOUS ACCESSORIES	
Description	Catalog Number
Plastic Meter Opening Cover (JA, JC)	SX087M
Plastic Meter Cover Ringless (JB)	SX088M
NEMA Stud Mechanical Lugs	
(2) #6-350 kcmil	UK350TA
(1) #2-600 kcmil, Al/Cu	UK600TA
(2) #500-1000 kcmil, Al/Cu	UK1000TA
Fifth Jaw	EMC5J
Neutral Feeder Lugs for use on INSTA-WIRE bars	
#2-1/0	ECLK1
#4-2/0	ECLK2
#1-350 kcmil	ECLK3

GROUND BARS (Al/Cu - except where noted)	
Description	Catalog Number
5 Position, #4-14 AWG Cu/Al	ECGB5
10 Position, #4-14 AWG Cu/Al	ECGB10
10 Position, #4-14 AWG Cu/Al, 1 Position #14-1/0 Cu/Al	ECGB101
14 Position, #4-14 AWG Cu/Al	ECGB14
14 Position, #4-14 AWG Cu/Al, 1 Position #14-1/0 Cu/Al	ECGB141
14 Position, #4-14 AWG Cu/Al, 1 Position #6-2/0 Cu/Al	ECGB142
20 Position, #4-14 AWG Cu/Al	ECGB20
20 Position, #4-14 AWG Cu/Al, 1 Position #14-1/0 Cu/Al	ECGB201
20 Position, #4-14 AWG Cu/Al, 1 Position #6-2/0 Cu/Al	ECGB202

5TH JAW KITS	
Description	Catalog Number
Bonded 5th Jaw	GM5J
Insulated 5th Jaw	IGM5J
For use on SP0211 only	WSX019P

UNIVERSAL PAK/MOD. ACCESSORIES	
Description	Catalog Number
Sealing Rings	
Snap-on, stainless steel	SRSS
Screw-on, stainless steel	SRSW
Snap-on, aluminum	SRSTD
2-pole blank Filler Plate QP 125A max. breaker	ECP1U
4-pole blank Filler Plate QPP 225A max. breaker	ECP2U
4-pole blank Filler Plate QP (2" wide) 125A breaker installed	ECP3U ^⑥
Plastic Cover Plates	
Ring Type Socket	ECPP
Ringless Type Socket	ECP3
Meter Bypass Jpr. 4&5 jaw	ECJS ^⑦
Manual Bypass Meter Skt. 125A Meter Cover	ECMBP1U
Manual Bypass Meter Skt. 200A Meter Cover	ECMBP2U

MODULAR METERING ACCESSORIES	
Description	Catalog Number
Single Bolt Joints	
1 Phase, 3 Wire, 1200A max.	SBJ1
3 Phase, 4 Wire, 1200A max.	SBJ4
Indoor Bussed Elbow	
1 Phase, 3 Wire, 1200A max.	BE1
3 Phase, 4 Wire, 1200A max.	BE4
Outdoor Bussed Extension	
1 Phase, 3 Wire, 1200A max.	WMEX1U
3 Phase, 4 Wire, 1200A max.	WMEX4U
5th Jaw Kit (3, 6, 9 o'clock)	ECMM5J ^①
Ins. 5th Jaw Kit (3, 6, 9 o'clock)	ECMMI5J ^①
Pass-Thru Bushing for use with Underground Pull Box	WMMBK ^②
End Closure Plate	WMEP ^③
HR Type Hubs for Service Entrance Module	
3/4"	ECHR075
1"	ECHR100
1-1/4"	ECHR125
1-1/2"	ECHR150
2"	ECHR200
HV Type Hubs for Service Entrance Module	
2"	ECHV200
2-1/2"	ECHV250
3"	ECHV300
3-1/2"	ECHV350
4"	ECHV400

PAK METERING ACCESSORIES	
Description	Catalog Number
HD Type Hubs	
2"	EC56854 ^④
2-1/2"	EC56855 ^④
3"	EC56856
3-1/2"	EC56857
4"	EC56858
Closure Plate	EC56933S
NEMA Stud Kit for new Uni-Pak	
400A	NSK400
600A	NSK600
Parallel Lug Kit	
400A	PLK400
600A	PLK600
5th Jaw Kit	GM5J ^⑤
Insulated 5th Jaw Kit	ECMMI5J
NEMA Stud Kit for old Uni-Pak	
400A	LKNS4U
600A	LKNS8U

- ① For use on 125A and 200A sockets only.
- ② One pass-thru bushing supplied with each WMM8 device.
- ③ When adding modular metering modules to old installation, replace metal end closure plate with plastic end closure plate.
- ④ Item is a kit consisting of adaptor plate and Type RK hub.
- ⑤ For use on new Pak only. Use ECMM5J for old Pak.
- ⑥ Filler plate is not needed for new Pak.
- ⑦ (2) required per 1 phase meter socket. Residential type ring and ringless. 200A max. Meter cannot be installed while in use. For use with ECPP cover plate.

Combination Meter Sockets

Dimensions, Wiring, and Knockout Diagrams

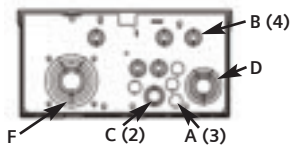
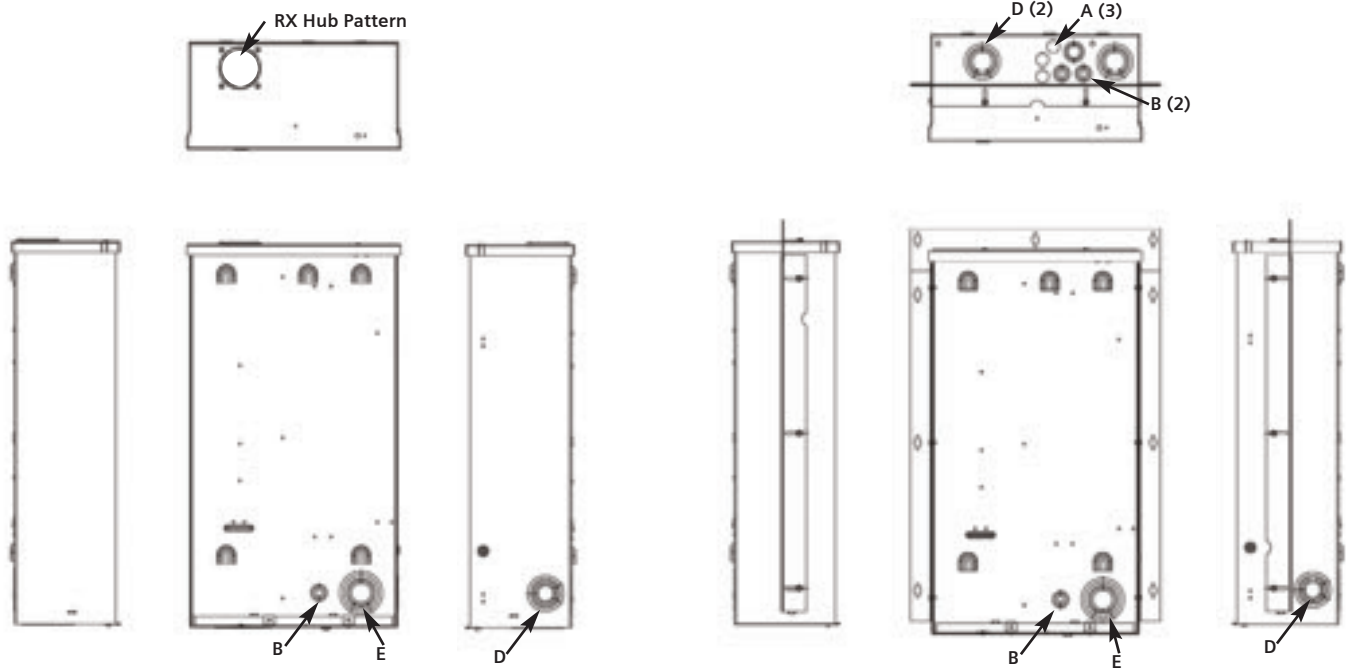


FIGURE 1

Knockout Schedule

- A = 1/2"
- B = 1/2", 3/4"
- C = 1/2", 3/4", 1"
- D = 3/4", 1", 1-1/4", 1-1/2", 2"
- E = 1", 1-1/4", 1-1/2", 2", 2-1/2"
- F = 1-1/4", 1-1/2", 2", 2-1/2", 3"
- G = 0.31 diameter Ground Wire K.O.

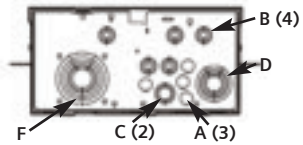
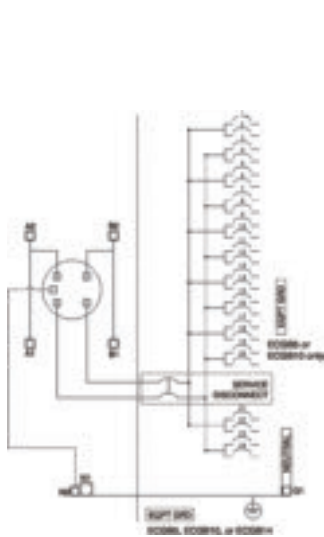
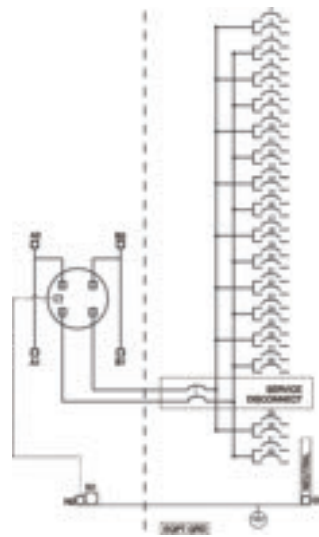


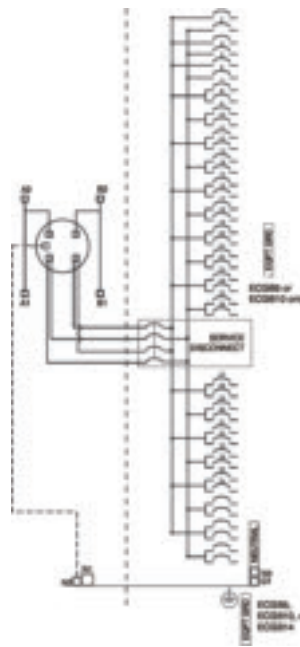
FIGURE 2



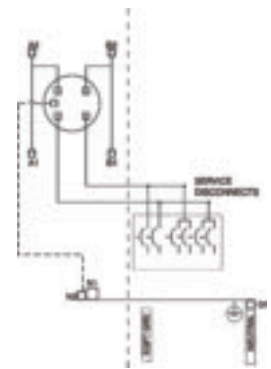
MC1224B1100FEC
MC1224B1100SEC
MC1224B1125FEC
MC1224B1125SEC



MC1632B1100FEC
MC1632B1100SEC
MC1632B1125FEC



MC2442B1200FEC
MC2442B1200SEC
MC2442B1225FEC
MC2442B1225SEC



MM0406L1125FEC
MM0406L1125SEC
MM0406L1200FEC
MM0406L1200SEC

Combination Meter Sockets

Dimensions, Wiring, and Knockout Diagrams

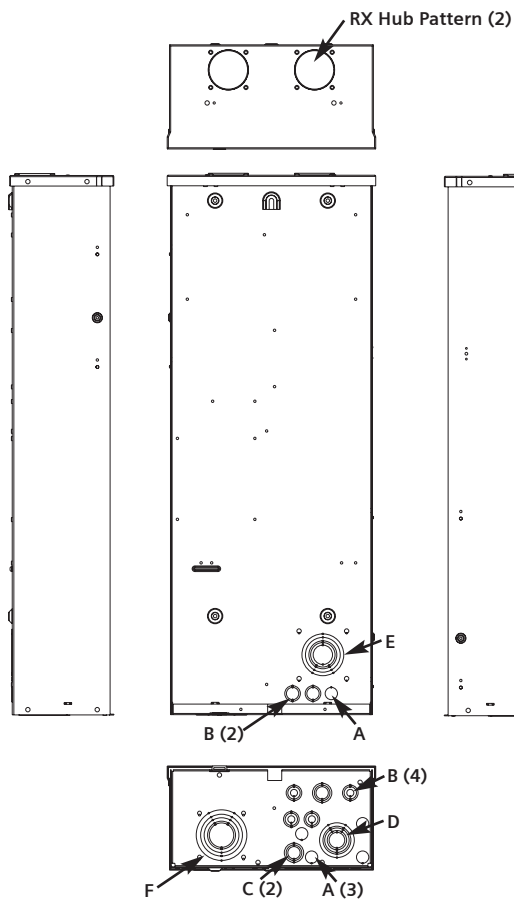
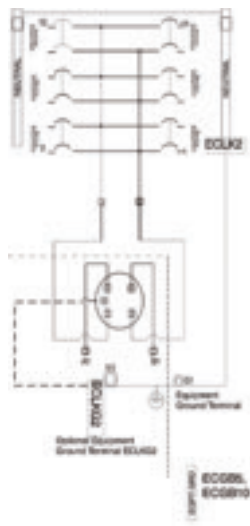


FIGURE 3



MC1212L1200FED
MC1212L1200SED

Knockout Schedule

- A = 1/2"
- B = 1/2", 3/4"
- C = 1/2", 3/4", 1"
- D = 3/4", 1", 1-1/4", 1-1/2", 2"
- E = 1", 1-1/4", 1-1/2", 2", 2-1/2"
- F = 1-1/4", 1-1/2", 2", 2-1/2", 3"
- G = 0.31 diameter Ground Wire K.O.

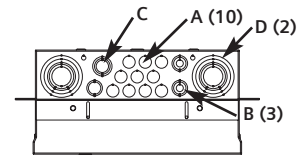
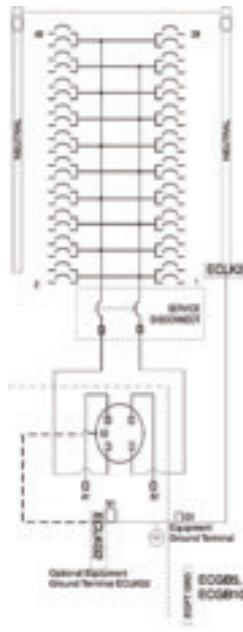
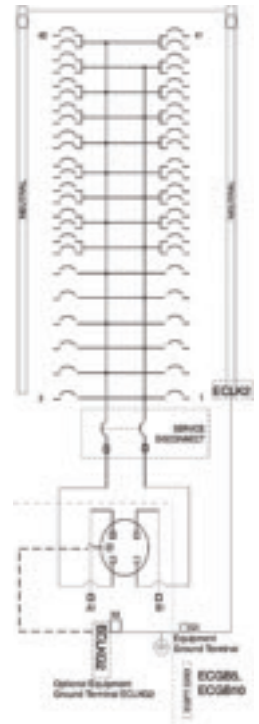


FIGURE 4

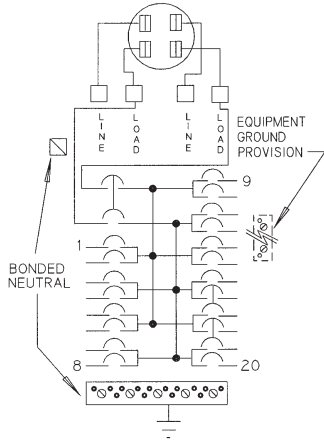


MC2040B1200FED
MC2040B1200SED

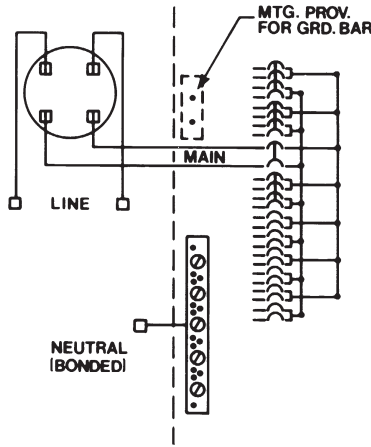


MC3042B1200FED
MC3042B1200SED
MC3042B1225FED
MC3042B1225SED

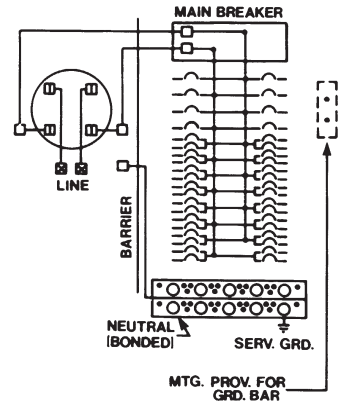
EUSERC Commercial Metering Wiring Diagrams



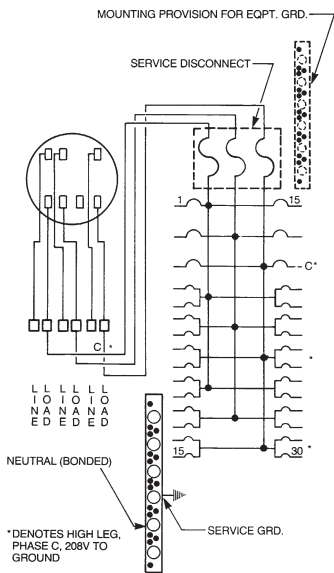
MC1020B1100ESS



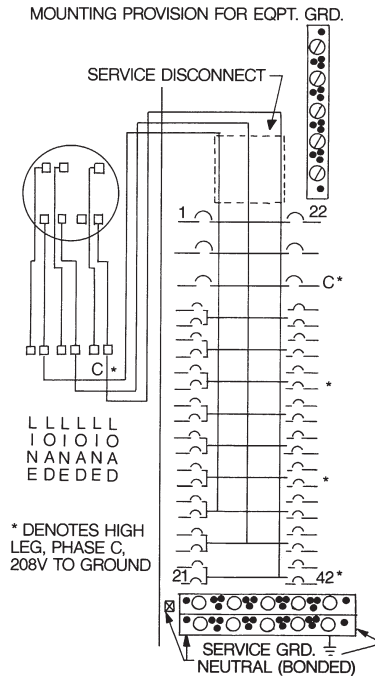
MC1224B1100CESS



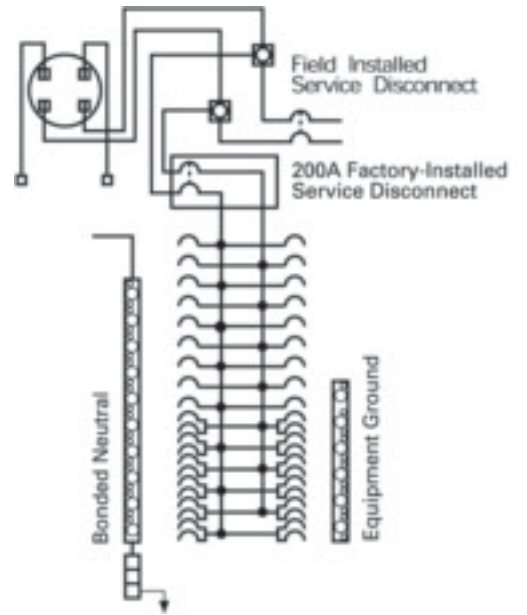
MC2440B1200CESS



MC1830F3100CESS



MC2442F3200CESS



MC3040MB21/22SS

EUSERC Commercial Metering

Dimensions and Knockout Diagrams

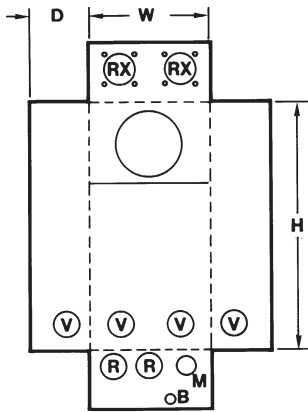


FIGURE 5

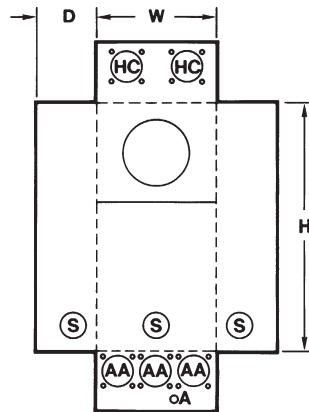


FIGURE 6

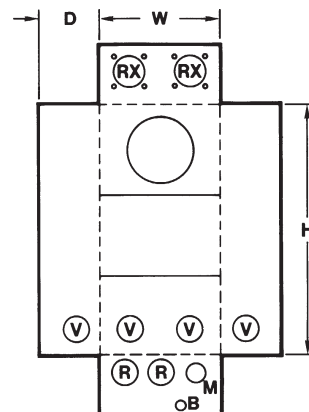


FIGURE 7

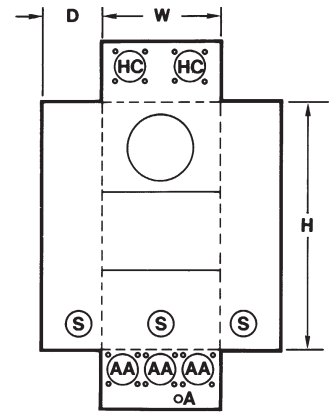


FIGURE 8

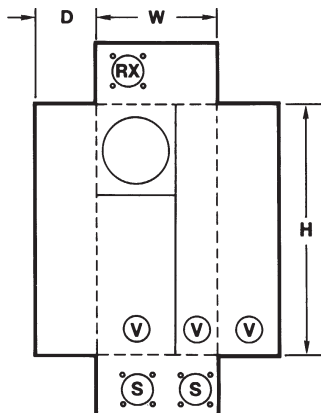


FIGURE 9

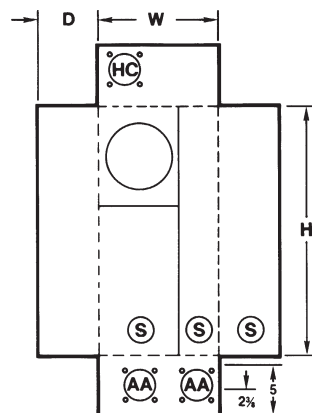


FIGURE 10

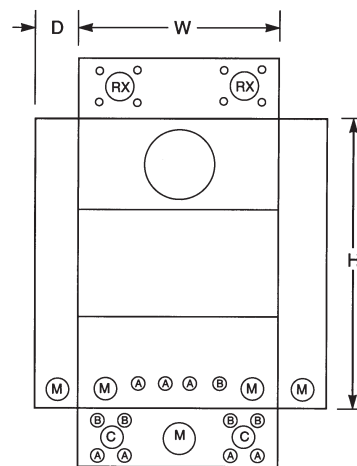


FIGURE 11

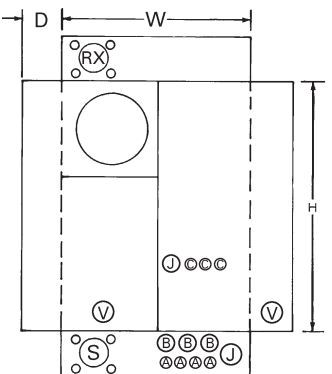


FIGURE 12

DIMENSIONS (inches)									
Catalog Number	K.O. Fig.	Height	Width	Depth	Catalog Number	K.O. Fig.	Height	Width	Depth
MS14TB	5	24	12-1/2	4-7/8	MS27TB	6	30	14-1/4	6-3/8
MS15TB	5	24	12-1/2	4-7/8	MM0202F1200ESS	8	45	14-1/4	6-3/8
MS17TB	5	24	12-1/2	4-7/8	MM0202F1200CESS	10	30	23-1/4	6-3/8
MM0202B1100ESS	7	36	12-1/2	4-7/8	MM0202F3200ESS	8	45	14-1/4	6-3/8
MM0202B3100ESS	7	36	12-1/2	4-7/8	MM0202F3200CESS	10	30	23-1/4	6-3/8
MM0202F1100ESS	7	36	12-1/2	4-7/8	MM0202B1200ESS	8	45	14-1/4	6-3/8
MM0202F1100CESS	9	24	20-1/8	4-7/8	MM0202B1200CESS	10	30	23-1/4	6-3/8
MM0202F3100ESS	7	36	12-1/2	4-7/8	MM0202B3200ESS	8	45	14-1/4	6-3/8
MM0202F3100CESS	9	24	20-1/8	4-7/8	MM0202B3200CESS	10	30	23-1/4	6-3/8
MC1020B1100ESS	11	36	12-1/2	4-7/8	MC2440B1200CESS	13	30	25-3/4	6-3/8
MC1224B1100CESS	12	24	20-1/8	4-7/8	MC2442F3200CESS	15	42	27-1/4	6-3/8
MC1830F3100CESS	14	26	24-1/4	4-7/8	MC3040MB21SS	18	40	30-1/4	6
MS24TB	6	30	14-1/4	6-3/8	MC3040MB22SS	18	40	30-1/4	6
MS25TB	6	30	14-1/4	6-3/8					

EUSERC Commercial Metering

Dimensions, Wiring, and Knockout Diagrams

Knockout Schedule

- A = 1/2"
- B = 1/2", 3/4"
- C = 1/2", 3/4", 1"
- D = 3/4", 1", 1-1/4", 1-1/2", 2"
- E = 1", 1-1/4", 1-1/2", 2", 2-1/2"
- F = 1-1/4", 1-1/2", 2", 2-1/2", 3"
- G = 0.31 diameter Ground Wire K.O.

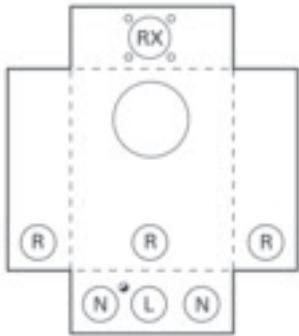


FIGURE 19



FIGURE 20



FIGURE 21

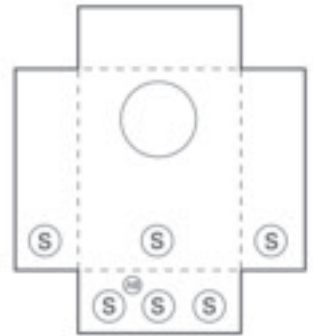
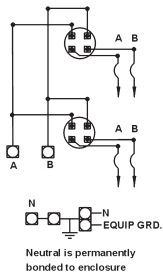


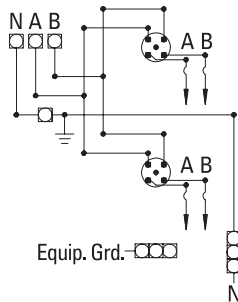
FIGURE 22

Pak Metering

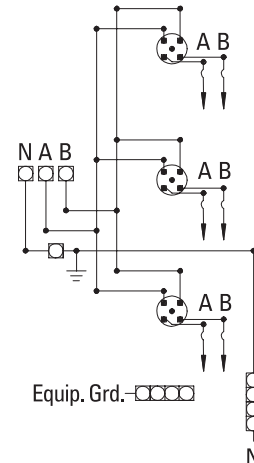
Wiring Diagrams



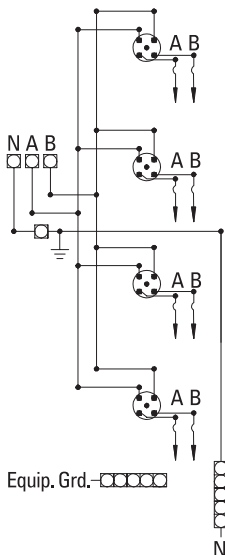
2 POSITION 125 AMP



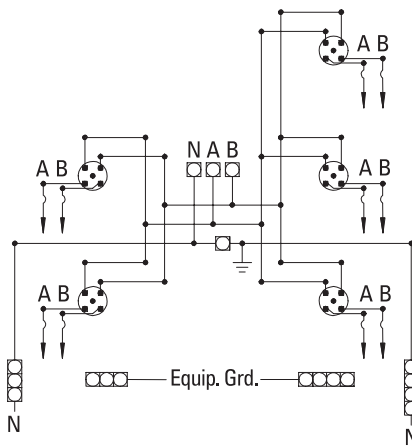
2 POSITION 200 AMP



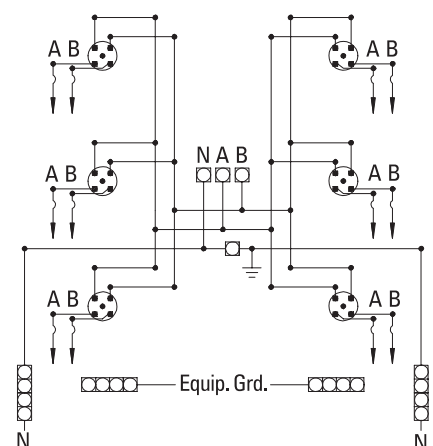
3 POSITION 125 & 200 AMP



4 POSITION 125 & 200 AMP

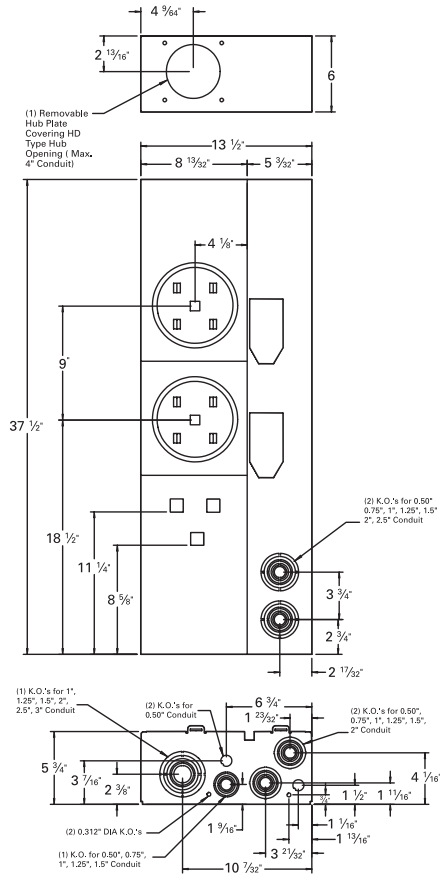


5 POSITION 125 & 200 AMP

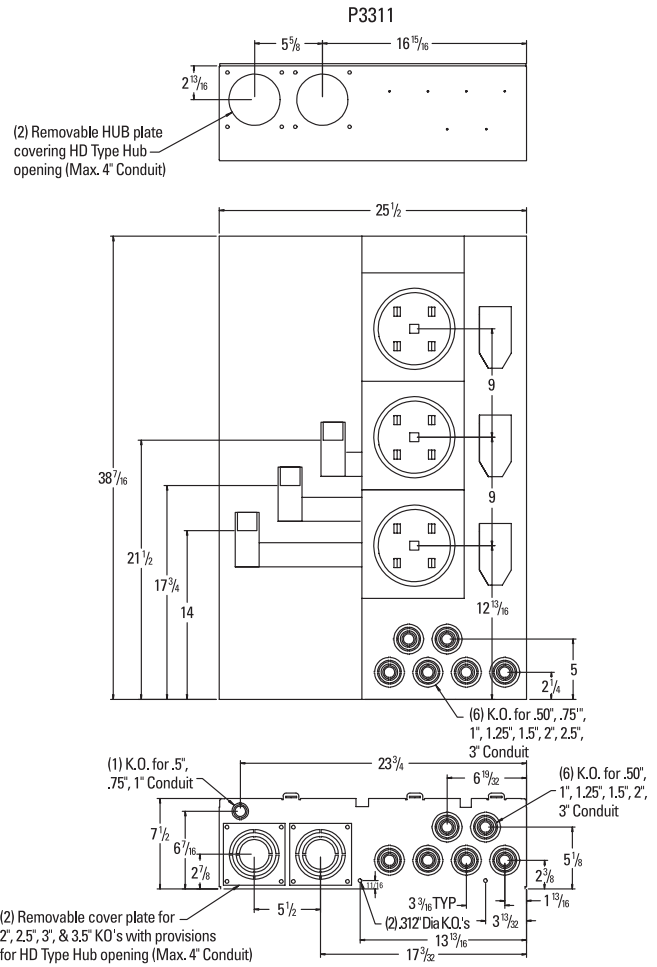


6 POSITION 125 & 200 AMP

Pak Metering Knockout Diagrams



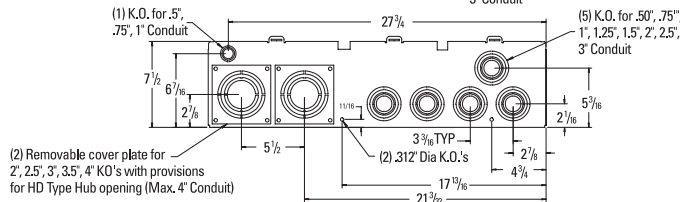
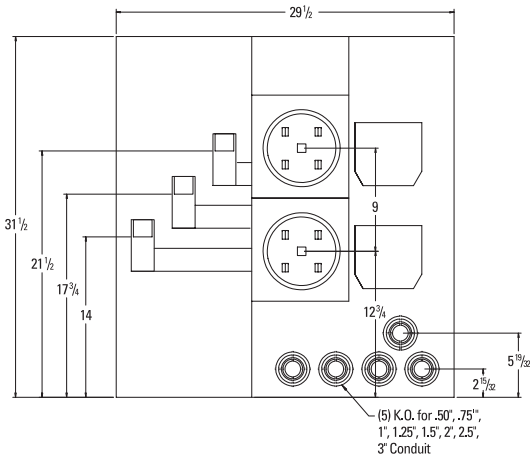
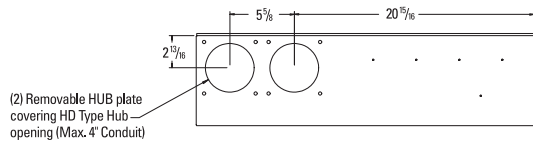
SP2211X



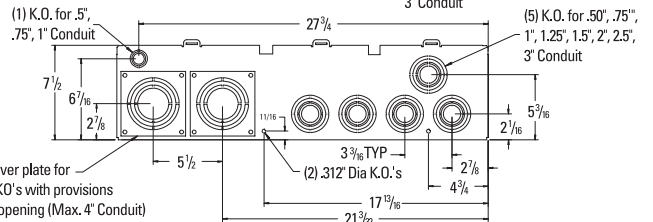
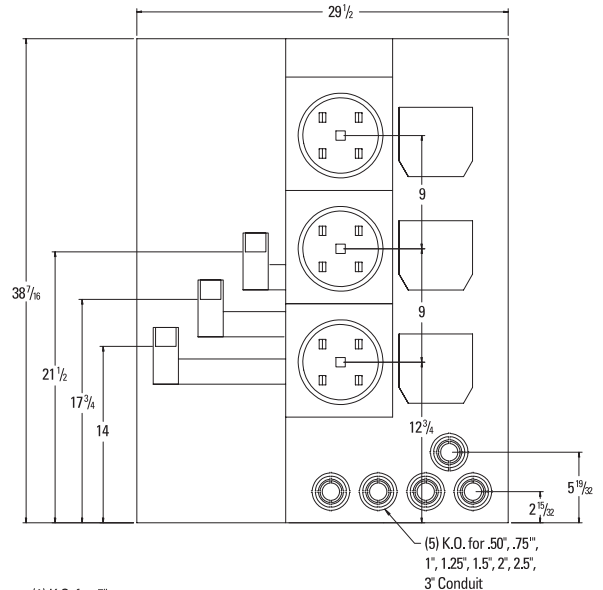
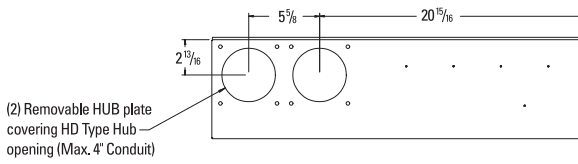
SP3311X



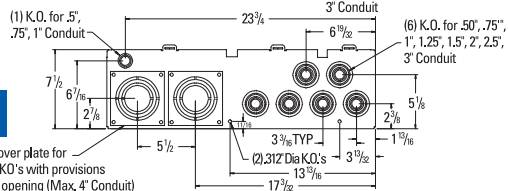
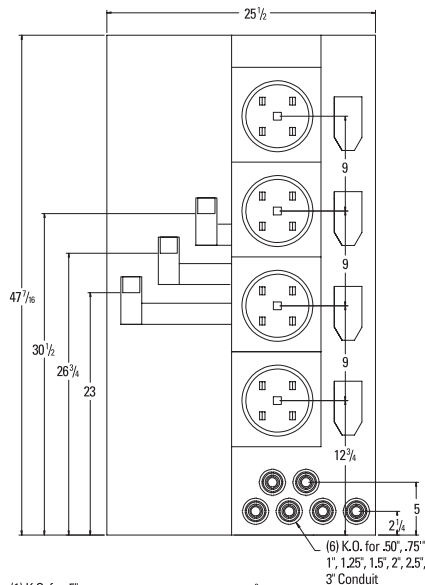
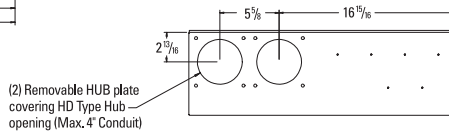
Pak Metering Knockout Diagrams



SP4212X

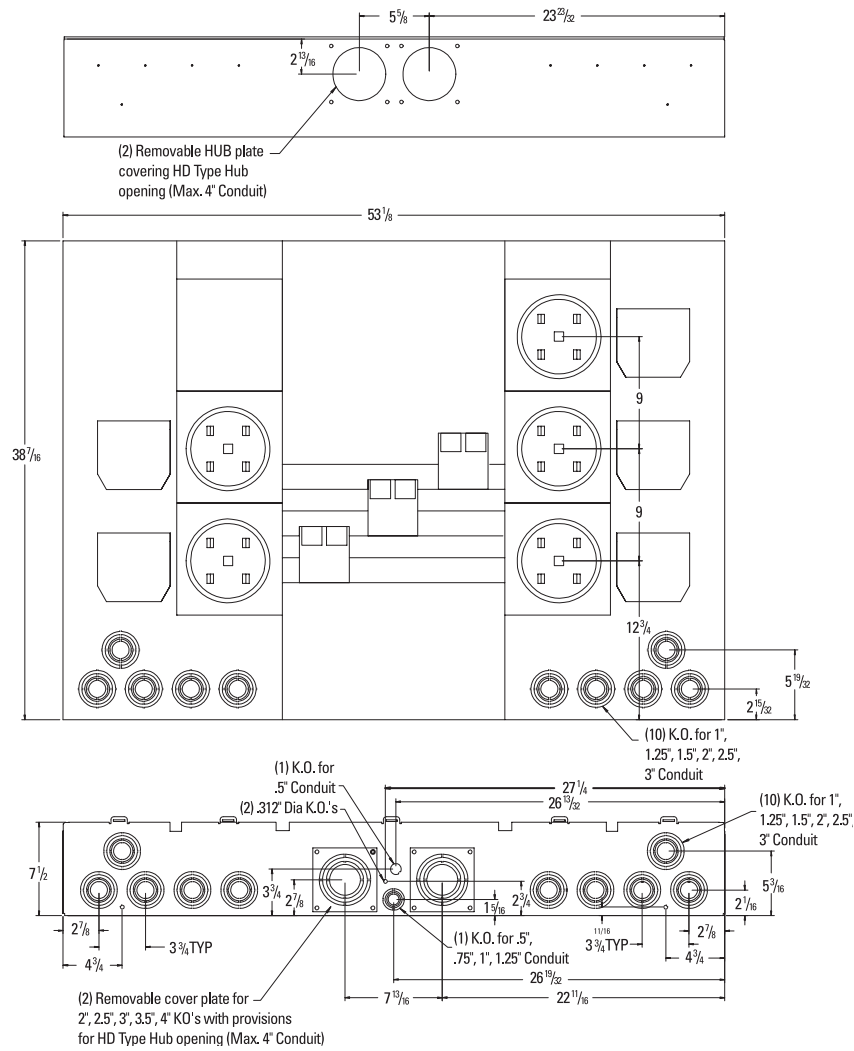


SP4312X



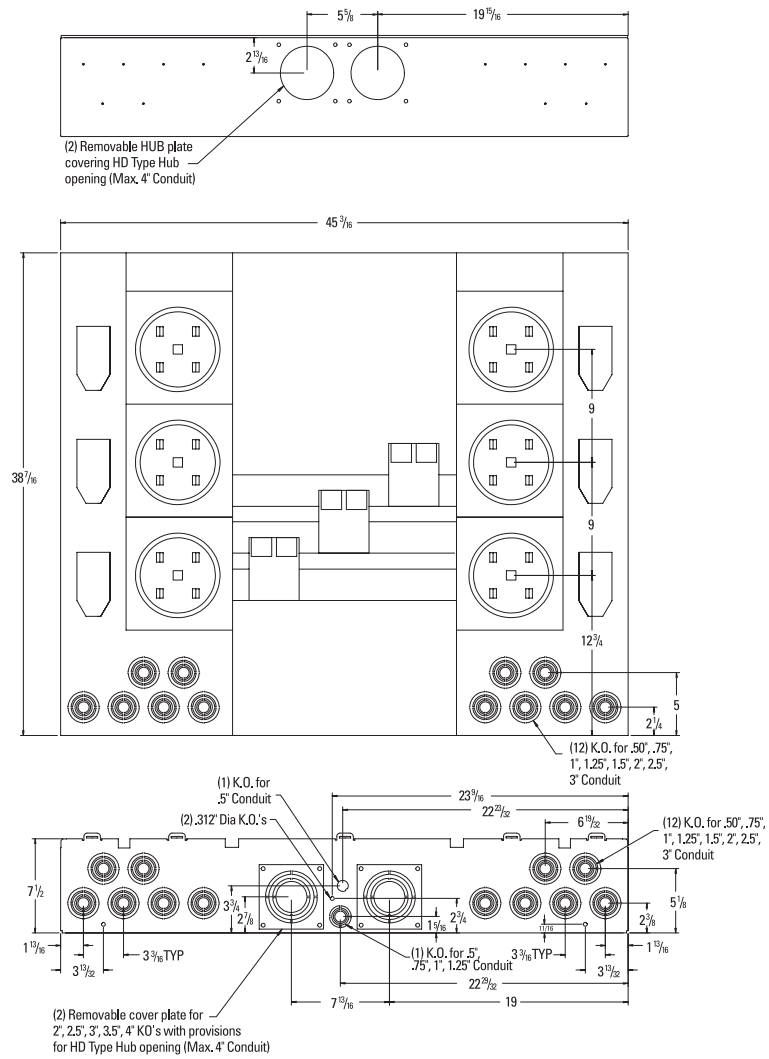
SP4411X

Pak Metering Knockout Diagrams

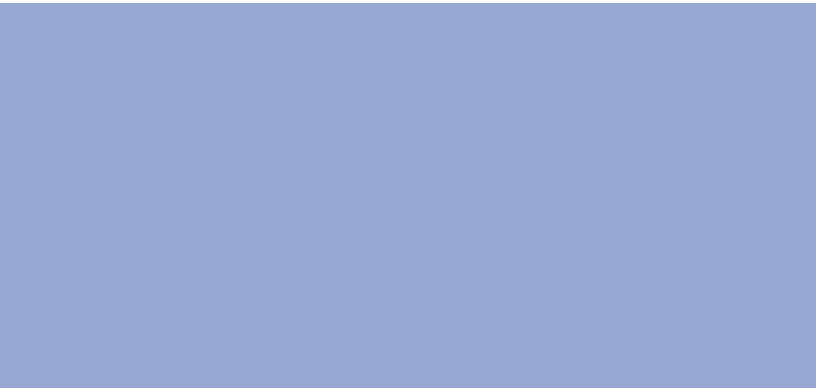


SP6512X

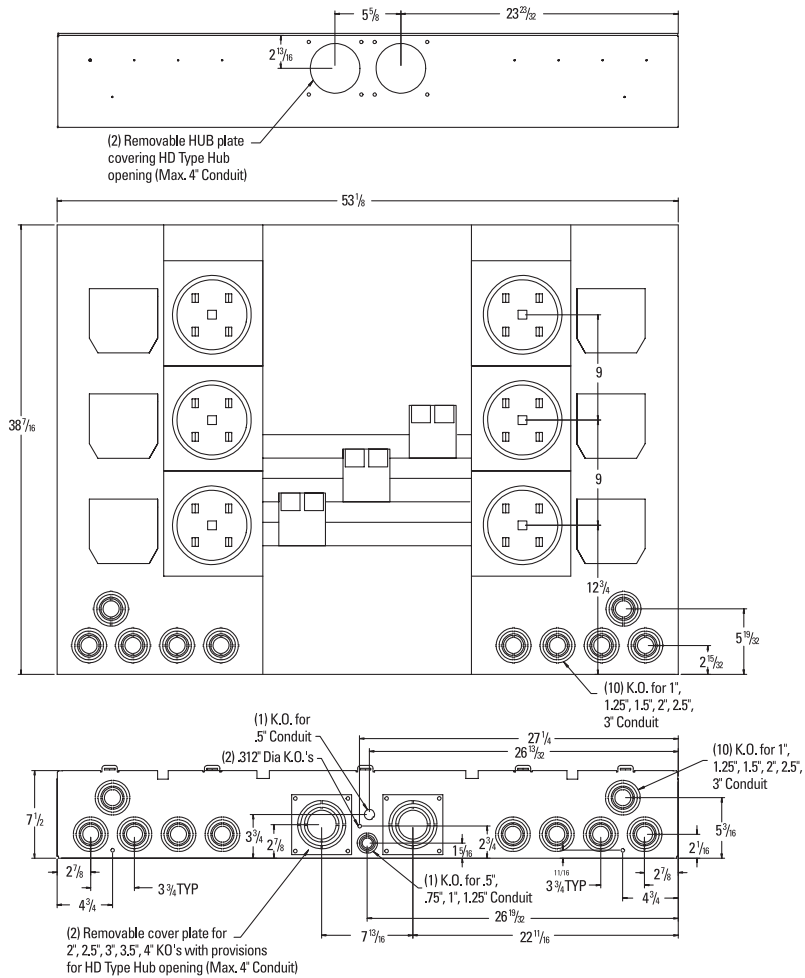
Pak Metering Knockout Diagrams



SP661 1X



Pak Metering Knockout Diagrams



SP6612X

Ultimate[®] Load Centers

MAIN BREAKER / CONVERTIBLE LOAD CENTERS ①

100-225 Amperes, 1 Phase 3 Wire, SN 120/240 Volts

Aluminum or Copper Bus
60/75°C Rated 22,000A IR②

Branch Circuits				Indoor Enclosure – NEMA Type 1			Outdoor Enclosure – NEMA Type 3R	
Main Ampere Rating	Max. No. of 1-Pole		Max. 2-Pole	Aluminum Bus Catalog Number	Copper Bus ③ Catalog Number	Enclosure Height (inches) ④	Copper Bus ③ Catalog Number	Enclosure Height (inches) ⑤
	Spaces	Circuits						
100	12	24	6	G1224B1100	G1224B1100CU	18	W1224B1100CU	20
100	16	24	8	G1624B1100	G1624B1100CU	21	W1624B1100CU	20
100	20	20	10	G2020B1100	G2020B1100CU	24	W2020B1100CU	29
100	24	24	12	–	G2424B1100CU	24	–	–
100	30	30	15	–	G3030B1100CU	30	–	–
125	24	24	12	G2424B1125	–	24	–	–
150	16	30	8	G1630B1150	–	24	–	–
150	20	30	10	G2030B1150	G2030B1150CU	30	–	–
150	24	30	12	G2430B1150	–	30	–	–
150	30	30	15	G3030B1150	G3030B1150CU	36	–	–
200	8	16	4	–	–	–	W0816B1200CT	28
200	20	40	10	G2040B1200	G2040B1200CU	30	W2040B1200CU	29
200	24	40	12	G2442B1200	–	30	–	–
200	30	40	15	G3040B1200	G3040B1200CU	36	W3040B1200CU	38
200	40	40	20	G4040B1200	G4040B1200CU	39	W4040B1200CU	38
225	42	42	21	–	G4242B1225CU ⑥	42	W4242B1225CU ⑥	42

Single phase factory installed 22KA IR main circuit breaker offers 22/10kA IR series combination rating when using 10kA IR Type QP, QT, QPF, QE, QN, and QAF branch breakers.

MAIN LUG / CONVERTIBLE LOAD CENTERS ⑦

12-42 Circuits, 1 Phase 3 Wire SN, 125-225 Amperes

Aluminum or Copper Bus
60/75°C Rated 100,000A IR

Branch Circuits				Indoor Enclosure – NEMA Type 1			Outdoor Enclosure – NEMA Type 3R	
Main Ampere Rating	Max. No. of 1-Pole		Max. 2-Pole	Aluminum Bus Catalog Number	Copper Bus ③ Catalog Number	Enclosure Height (inches) ④	Copper Bus ③ Catalog Number	Enclosure Height (inches) ⑤
	Spaces	Circuits						
125	12	12	6	G1212L1125 ⑧	G1212L1125CU ⑧	21	W1212L1125CU ⑧	20
125	12	24	6	G1224L1125 ⑧	G1224L1125CU ⑧	21	W1224L1125CU ⑧	20
125	16	24	8	G1624L1125	G1624L1125CU	21	W1624L1125CU	28
125	20	20	10	G2020L1125	G2020L1125CU	24	–	–
125	24	24	12	G2424L1125	–	30	–	–
125	24	40	12	–	G2440L1125CU	30	–	–
125	30	40	15	–	G3040L1125CU	30	W3040L1125CU	38
150	20	30	10	G2030L1150	G2030L1150CU	30	W2030L1150CU	28
200	8	16	4	–	–	–	W0816L1200CT	28
200	12	24	6	–	G1224L1200CU ⑧	24	W1224L1200CU ⑧	28
200	20	40	10	G2040L1200	G2040L1200CU	30	W2040L1200CU	28
200	24	40	12	G2442L1200	G2440L1200CU	30	–	–
200	30	30	15	G3030L1200	G3030L1200CU	36	–	–
200	30	40	15	G3040L1200	G3040L1200CU	36	W3040L1200CU	38
200	40	40	20	G4040L1200	G4040L1200CU	39	W4040L1200CU	38
225	42	42	21	–	G4242L1225CU ⑥	42	W4242L1225CU ⑥	42

SG SERIES MAIN LUG / CONVERTIBLE LOAD CENTERS ⑦

12-40 Circuits, 1 Phase 3 Wire SN, 125-200 Amperes

Aluminum or Copper Bus
60/75°C Rated 100,000A IR

Branch Circuits				Indoor Enclosure – NEMA Type 1	
Main Ampere Rating	Max. No. of 1-Pole		Max. 2-Pole	Copper Bus ③ Catalog Number	Enclosure Height (inches) ④
	Spaces	Circuits			
125	12	24	6	G1224L1125CUSG	21
125	16	24	8	G1624L1125CUSG	24
125	20	30	10	G2030L1125CUSG	24
125	24	30	12	G2430L1125CUSG	30
150	20	30	10	G2030L1150CUSG	30
200	30	40	15	G3040L1200CUSG	36
200	40	40	20	G4040L1200CUSG	39

- ① Suitable for use as service entrance equipment.
- ② May be installed on higher rated system when protected by a circuit breaker with a higher AIR rating. See equipment markings.
- ③ Copper bus load centers are recommended for those applications where the environment may be severe (i.e., farm and coastal areas).
- ④ Indoor encl. are 14-5/16" W by 3-15/16" D.
- ⑤ Outdoor encl. are 14-1/2" W by 4-1/4" D.
- ⑥ All 225A load centers are provided with tin-plated copper bus bars.
- ⑦ See equipment markings for details.
- ⑧ Suitable for use as service entrance equipment when not more than six main disconnecting means are provided and when not used as a lighting and appliance branch circuit panelboard. See article 408.14 of the NEC.
- ⑨ Factory installed 100% neutral with factory bonded 100% ground. No neutral tie strap.

EQ Small Circuit Load Centers

FEATURES / APPLICATIONS

EQ load centers with main lugs feature a combination trim box in one package.

- Interiors offer removal in seconds
- Single phase
- One piece bus bar construction designed for use only with circuit breakers
- UL listed on 60/75°C conductors (see equipment markings for applications)
- Main lugs and neutral on same plane, same drive
- Simple deadfront adjustment after trim is installed
- Positive load side circuit breaker hook rails
- Outdoor Type 3R devices use Type HS hubs

MAIN LUGS WITH ALUMINUM BUS ①

100-125 Amperes, 1 Phase 3 Wire, SN, 4–16 Circuits, 120/240 Volts AC, 100,000A IR

Branch Circuits			Indoor Enclosure – NEMA Type 1						Outdoor Enclosure – NEMA Type 3R					
Amp Rtg.	Max. No. of 1-Pole		QP Max. 2P	Catalog Number Replace Suffix F (Flush) with S for Surface Mounting	Std. Pkg.	Dimensions (inches)			Catalog Number	Std. Pkg.	Dimensions (inches)			
	Spaces	Circuits				H	W	D			H	W	D	
100	12	24	6	E1224ML1100FG②	1	14-3/4	12-3/8	3-7/8	–	–	–	–	–	
125	4	8	2	E0408ML1125F③④⑤	5	12-5/8	6-5/8	3-1/2	W0408ML1125④⑥	5	12-1/4	6	4-1/4	
125	4	8	2	–	–	–	–	–	W0408L1125SPA50④⑥⑦	1	12-1/4	6	4-1/4	
125	4	8	2	–	–	–	–	–	W0408L1125SPA60④⑥⑦	1	12-1/4	6	4-1/4	
125	8	16	4	E0816ML1100F③⑤	1	14-3/4	12-3/8	3-7/8	–	–	–	–	–	

MAIN LUGS AND MAIN BREAKERS WITH COPPER BUS ①⑧

100-200 Amperes, 1 Phase 3 Wire, SN, 4–24 Circuits, 120/240 Volts AC, 100,000A IR

Copper bus load centers are recommended for those applications where the environment may be severe (i.e., farm and coastal areas) or where a premium panel is desired. Construction offers the same features of the standard EQ design.

Branch Circuits			Indoor Enclosure – NEMA Type 1						Outdoor Enclosure – NEMA Type 3R					
Amp Rtg.	Max. No. of 1-Pole		QP Max. 2-Pls.	Catalog Number Replace Suffix F (Flush) with S for Surface Mounting	Std. Pkg.	Dimensions (inches)			Catalog Number	Std. Pkg.	Dimensions (inches)			
	Spaces	Circuits				H	W	D			H	W	D	
100	10	20	4	E1020MB1100FCGP⑨⑩	1	14-3/4	12-3/8	3-7/8	–	–	–	–	–	
100	12	24	6	E1224ML1100FCU	1	14-3/4	12-3/8	3-7/8	–	–	–	–	–	
125	8	16	4	E0816ML1125FCU⑤	1	14-3/4	12-3/8	3-7/8	W0816ML1125CU⑤	1	14-3/4	12-1/8	4-1/4	
125	4	6	2	–	–	–	–	–	W0406ML1125CU③	1	23	10	4-1/8	
200	4	4	2	–	1	–	–	–	W0404MB1200CT⑩⑪	1	20	11-1/8	4-3/4	

① Suitable for use as service entrance equipment when not more than six main disconnecting means are provided and when not used as a lighting and appliance branch circuit panelboard. Check local codes and restrictions.

② 70 amp maximum breaker.

③ Will not accommodate 2-pole GFCI or circuit breaker with shunt trip.

④ 100 amp maximum breaker.

⑤ Suitable for use as service entrance equipment when a main breaker (125A maximum) is back-fed in a branch position and used with main breaker retainer clip (Cat. No. MBR1).

⑥ Suitable for use as service entrance equipment when a main breaker (100A maximum) is backfed in a branch position and used with main breaker retainer clip (Cat. No. MBR1).

⑦ W0408L1125SPA50 provided with factory installed QF250 and ground bar. W0408L1125SPA60 provided with factory installed QF260 and ground gar.

⑧ Copper bus load centers are recommended for those applications where the environment may be severe (i.e., farm and coastal areas).

⑨ Two Q115 and one Q230 breaker included.

⑩ Main breaker factory installed.

⑪ 2" Type HS hub provided.





Siemens Energy & Automation, Inc.

3333 Old Milton Parkway
Alpharetta, GA 30005

1-800-964-4114

seainfo@sea.siemens.com

www.sea.siemens.com/reselec

© 2005 Siemens Energy & Automation, Inc. All Rights Reserved

Siemens is a registered trademark of Siemens AG. Product names mentioned may be trademarks or registered trademarks of their respective companies. Specifications are subject to change without notice.

SEA Order No. RPSA-WCMSA-0305 New 5M0305BC Printed in USA