
PRODUCT BROCHURE

Steel City

68-HP floor box

Universal 3-gang design provides superior capacity and mounting flexibility



Steel City® 68-HP floor box

Innovative 3-gang round floor box for power, data and AV



Combines the capacity of a 3-gang box with the affordability of a round non-metallic floor box

- 6" diameter round non-metallic floor box — one of the largest in the industry
- Large inline hubs for power and data wiring: 1" for power, 1½" for data

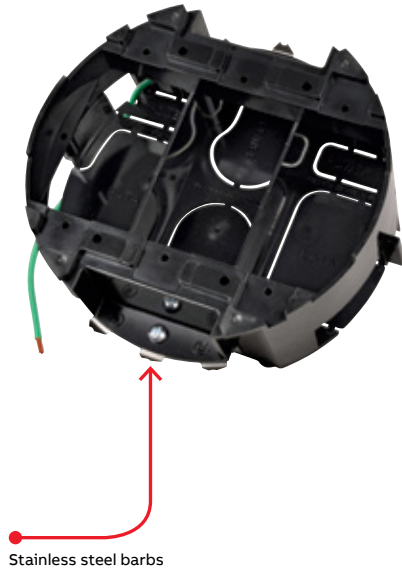
Unmatched flexibility to configure any combination of power and communications devices

- Accepts standard devices from any manufacturer, including duplex, GFCI, locking, hospital grade or isolated ground receptacles
- Accommodates a wide variety of multi-media devices through the use of rectangular adapters



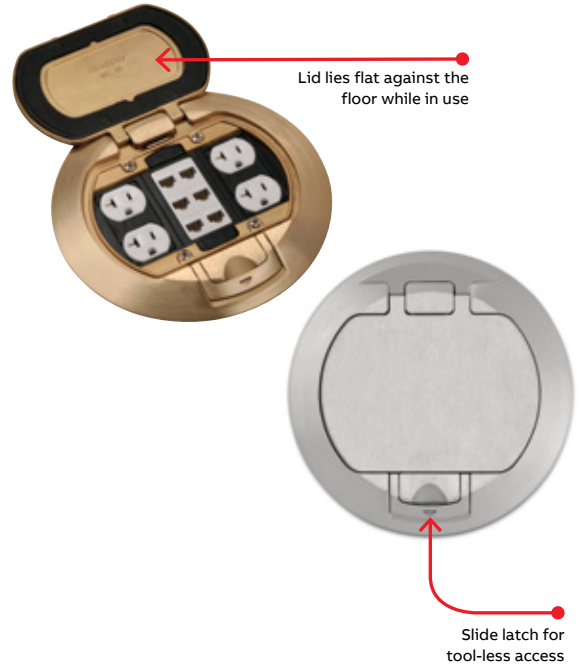
No leveling, gluing or aligning for an easy installation

- No wasted time leveling the box before the concrete is poured — simply cut the box at the appropriate height after the pour
- No gluing — stainless steel retention barbs secure the mounting frame to the box
- Round design — no need to align the box with walls during installation



Easy-to-use covers made of durable solid brass and aluminum

- Stands up to heavy carts, cleaning equipment and general floor traffic
- Convenient slide latch provides tool-less access to devices
- Lid lies flat while in use to minimize obstructions above floor level

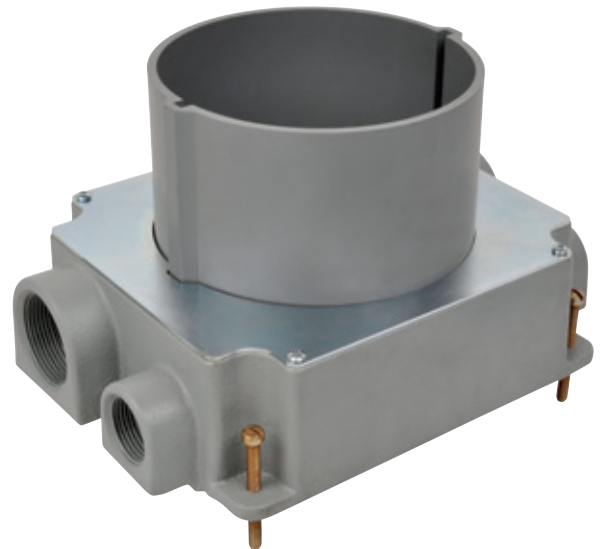


Furniture-feed and cast iron options for a comprehensive floor box solution

- Dual-voltage furniture-feed covers transition power and communications wiring from the floor into modular furniture
- Cast iron box with a non-metallic collar for slab-on-grade or metallic conduit applications



1" hub for power,
1½" hub for data



Steel City 68-HP floor box

Floor boxes



68-HP
6" Round non-metallic floor box



68-HP-CI
Cast iron floor box with 6" round non-metallic collar

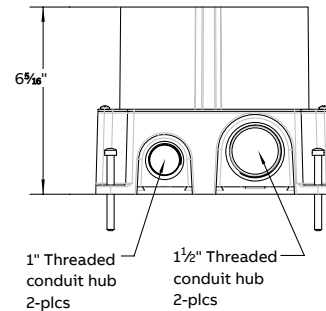
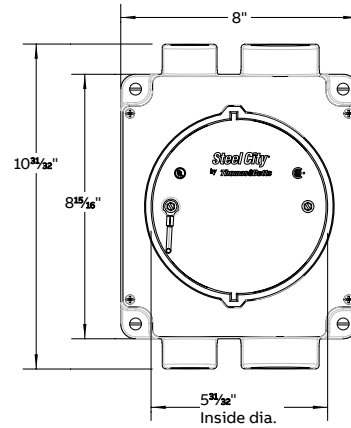
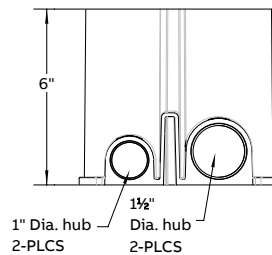
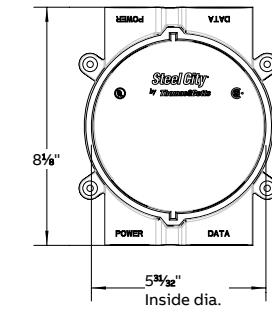
Steel City 68-HP floor box



Minimum concrete depth (in.)

Cat. no.	Description	Flush	Furniture feed	Std. pkg. qty.	UPC no.
68-HP	6" round non-metallic floor box	4	3½	4	785991-05619
68-HP-CI	Cast iron floor box with 6" round non-metallic collar	4½	4	1	785991-05620

Diagrams



Steel City 68-HP floor box

Flush covers

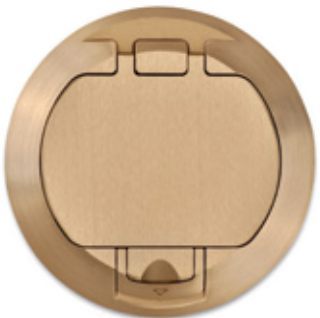


68-HP-FC-ALM
Aluminum cover
with brushed finish

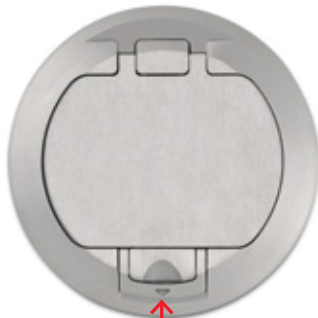


68-HP-FC-BLK
Aluminum cover with
powder-coated black finish

- Slide latch for tool-less access to devices
- Lid lies flat when box is in use
- Requires flush mounting kit (cat. no. 68-HP-FMK) to mount cover (see page 6)



68-HP-FC-BRS
Solid brass cover
with brushed finish



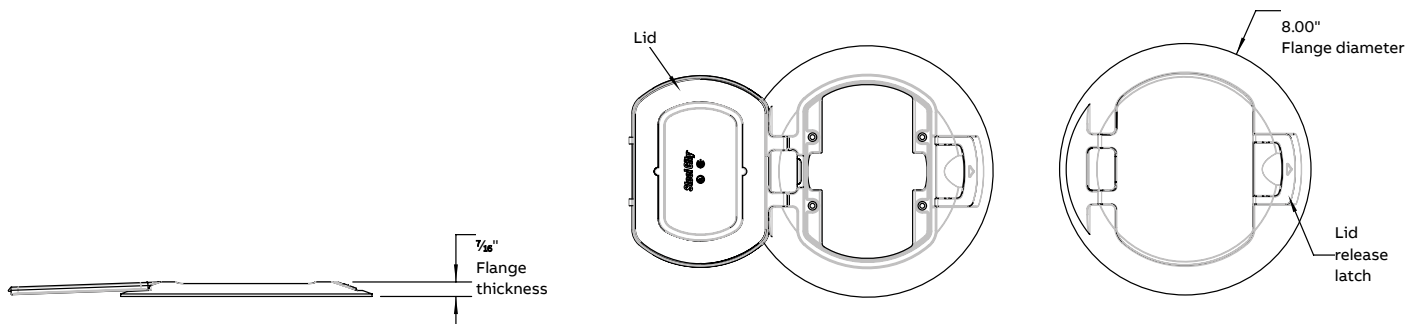
Pull slide latch
to release lid

Flush covers



Cat. no.	Description	Std. pkg. qty.	UPC no.
68-HP-FC-ALM	Flush cover — solid aluminum with brushed finish, 1,000 lb. load rating	4	785991-05627
68-HP-FC-BRS	Flush cover — solid brass with brushed finish, 1,500 lb. load rating	4	785991-05626
68-HP-FC-BLK	Flush cover — solid aluminum with black powder-coated finish, 1,000 lb. load rating	4	785991-05628

Diagrams



Steel City 68-HP floor box

Flush mounting kit and accessories



- Flush mounting kit required in order to mount devices and covers to the 68-HP series floor box
- Stainless steel barbs — no gluing required
- Includes (3) compartments for standard devices
- Voltage dividers allow any combination of power and communications devices
- Each compartment includes (1) knockout for power and (1) knockout for data for access to either power or communications wiring

68-HP-FMK Flush mounting kit



Divider

- Kit Includes:
- Mounting frame
 - Voltage divider
 - (3) Device plates
 - (1) Center plate: GFCI/rectangular
 - (2) Side plates: rectangular
 - (3) Duplex inserts



68-HP-FMK

Optional accessories

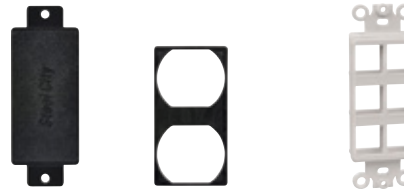


68-HP-DPC-GFCI 68-HP-DPS-DEC 68-HP-DPC-R



68-HP-DPC-2MAAP 68-HP-DPS-2MAAP

Device plates



68-HP-BI 68-HP-DI OPODEC6-WH

Regular inserts



68-HP-DPAV-EXT
(Low voltage only)
Extron® AV plate

Steel City 68-HP floor box

Flush mounting kit and accessories (continued)

Flush mounting kit and accessories



Cat. no.	Description	Std. pkg. qty.	UPC no.
68-HP-FMK	Mounting kit for flush covers	4	785991-05622
68-HP-DPC-GFCI	Center device plate — GFCI/rectangular receptacle	10	785991-05633
68-HP-DPS-DEC	Side device plate — rectangular receptacle	10	785991-05632
68-HP-DPC-R	Center device plate — single round receptacle, 1 ⁵ / ₈ " opening	10	785991-05646
68-HP-DPC-2MAAP	Center device plate — 2 Extron [®] MAAP plates*	10	785991-05655
68-HP-DPS-2MAAP	Side device plate — 2 Extron [®] MAAP plates*	10	785991-05647
68-HP-BI	Rectangular insert — blank (for unused compartments)	10	785991-05670
68-HP-DI	Rectangular insert — duplex receptacle	10	785991-05669
OPODEC6-WH	Rectangular adapter for GFCI/rectangular device plate — 6-port data, keystone, white**	5	786209-92475
68-HP-DPAV-EXT	Extron [®] AV plate — 3 AAP plates, 2 MAAP plates*	1	785991-05667

* Extron[®] MAAP plates purchased from an authorized Extron[®] distributor. Extron[®] is a registered trademark of RGB Systems, Incorporated.

** Additional rectangular adapters available for low voltage applications — see communications accessories on pages 9–10.

Steel City 68-HP floor box

Furniture feed covers and mounting kit



68-HP-FFC-ALM
Aluminum cover with brushed finish



68-HP-FFC-BRS
Solid brass cover with brushed finish

- Dual-voltage covers for feeding power and communications wiring to modular furniture
- Furniture feed mounting kit required to mount covers to the 68-HP series floor box



68-HP-FFC-BLK
Aluminum cover with powder-coated black finish



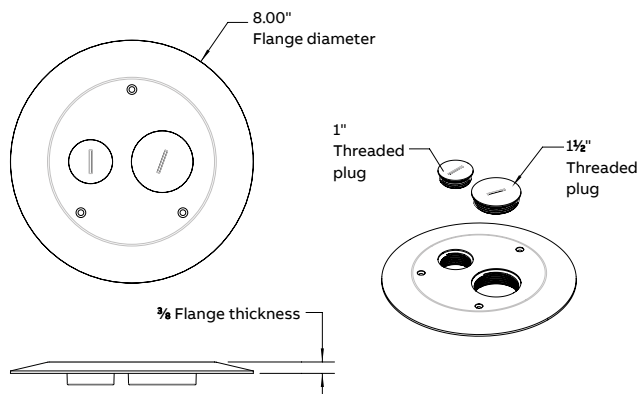
68-HP-FFMK
Furniture feed mounting kit

Dual-voltage furniture feed covers and accessories



Cat. no.	Description	Std. pkg. qty.	UPC no.
68-HP-FFC-ALM	Furniture feed cover — solid aluminum with brushed finish	4	785991-05630
68-HP-FFC-BRS	Furniture feed cover — solid brass with brushed finish	4	785991-05629
68-HP-FFC-BLK	Furniture feed cover — solid aluminum with black powder-coated finish	4	785991-05631
68-HP-FFMK	Mounting kit for furniture feed covers	4	785991-05623

Diagrams



Steel City 68-HP floor box

Communications accessories

Rectangular/duplex adapters



OPODEC1-WH



OPODEC2-WH



OPODEC3-WH



OPODEC4-WH



OPODEC6-WH



OPOD4-WH



OPODEC-XLRM-WH



OPODEC-XLRF-WH



OPODEC-VGA-WH

Keystone inserts



OPJDU5EL-WH



OPJDU6L-WH



OPJV6CL-WH



OPAFR



OPA35-WH



OPARCAW



OPARCAR



OPARCAV



OPAS-WH



OPAHDMI-WH



OPAB-WH

Steel City 68-HP floor box

Communications accessories (continued)

Communications accessories

Cat. no.	Description	Std. pkg. qty.	UPC no.
Rectangular/duplex adapters for use with standard floor box device plates			
OPODEC1-WH	Rectangular adapter for GFCI device plate, 1-port, keystone, white	5	786209-92471
OPODEC2-WH	Rectangular adapter for GFCI device plate, 2-port, keystone, white	5	786209-92472
OPODEC3-WH	Rectangular adapter for GFCI device plate, 3-port, keystone, white	5	786209-92473
OPODEC4-WH	Rectangular adapter for GFCI device plate, 4-port, keystone, white	5	786209-92474
OPODEC6-WH	Rectangular adapter for GFCI device plate, 6-port, keystone, white	5	786209-92475
OPOD4-WH	Duplex adapter, 4-port, keystone, white	10	786210-79475
OPODEC-XLRM-WH	Rectangular adapter, male XLR microphone jack, solder leads, white	5	786209-92476
OPODEC-XLRF-WH	Rectangular adapter, female XLR microphone jack, solder leads, white	5	786209-92477
OPODEC-VGA-WH	Rectangular adapter, VGA connector, female-to-female, white	5	786209-92478
Keystone inserts for data, voice, and audio visual applications			
OPJDU5EL-WH	Cat-5e data jack, keystone, white	5	786210-92973
OPJDU6L-WH	Cat-6 data jack, keystone, white	5	786210-92974
OPJV6CL-WH	Voice jack, 6-conductor, USOC, keystone, white	5	786210-92975
OPAFR	F-connector, recessed, keystone, 1 GHz, female-to-female, red	5	786209-92485
OPA35-WH	3.5 mm stereo connector, recessed, keystone, female-to-female, white	5	786209-92479
OPARCAW	RCA connector – recessed, keystone, female-to-female, white	5	786209-92482
OPARCAR	RCA connector – recessed, keystone, female-to-female, red	5	786209-92483
OPARCAY	RCA connector – recessed, keystone, female-to-female, yellow	5	786209-92481
OPAS-WH	S-video connector, 4-pin, recessed, keystone, female-to-female, white	5	786209-92484
OPAHDMI-WH	HDMI connector, recessed, keystone, female-to-female, white	5	786209-92480
OPAB-WH	Blank insert, keystone, white	25	786210-79392



ABB Installation Products Inc.

Electrification business
860 Ridge Lake Blvd.
Memphis, TN 38120

Customer Service: 800-816-7809
Technical Support: 888-862-3289

tnb.abb.com