

PRODUCT BROCHURE

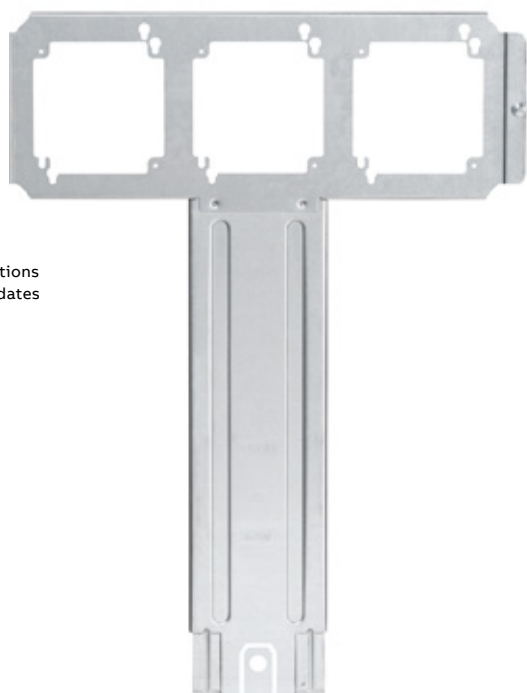
Steel City[®] pre-fab T bracket

Consistent box locations
and box height...every time



Steel City® pre-fab T bracket

Consistent box locations and box height...every time

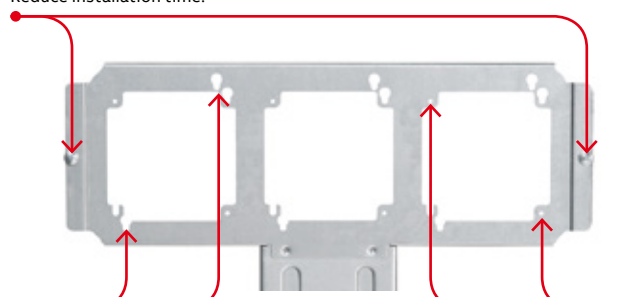


3 fixed box locations
Each accommodates
both 4" and
4¹/₄" boxes.

18" fixed height

16" fixed width

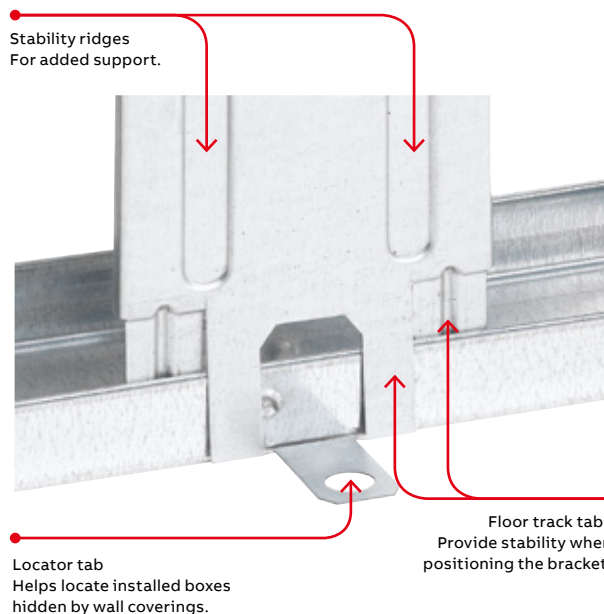
Integral mounting screws
Reduce installation time.



Keyhole slots
Maintain box position
if mud ring is removed.

Mud ring mounting screw holes
For low voltage applications
where no box is required.

Consistency results in efficiency and labor savings on the job. With three fixed box locations and a fixed height of 18", the new Steel City Pre-fab T bracket provides a consistent installation every time. For added efficiency, the bracket includes integral mounting screws that help reduce installation time. A handy locator tab at the base of the bracket saves you the time of looking for installed boxes that have been hidden by wall coverings. The base also features unique floor track tabs. The inner tab slides in front of the floor track and the two outer tabs slide behind the floor track to provide stability when positioning the bracket.



Stability ridges
For added support.

Locator tab
Helps locate installed boxes
hidden by wall coverings.

Floor track tabs
Provide stability when
positioning the bracket.

Pre-fab T bracket

Cat. no.	Description	Std. pkg. qty.	UPC no.
H16V18S	Pre-fab T bracket	10	785991-04801

ABB Inc.
Electrification Products
860 Ridge Lake Blvd.
Memphis, TN 38120

Customer Service: 800-816-7809
Technical Support: 888-862-3289

abb.com/lowvoltage

We reserve the right to make technical changes or modify the contents of this document without prior notice. With regard to purchase orders, the agreed particulars shall prevail. ABB Inc. does not accept any responsibility whatsoever for potential errors or possible lack of information in this document.

We reserve all rights in this document and in the subject matter and illustrations contained therein. Any reproduction or utilization of its contents – in whole or in parts – is forbidden without prior written consent of ABB Inc. Copyright © 2018 ABB All rights reserved