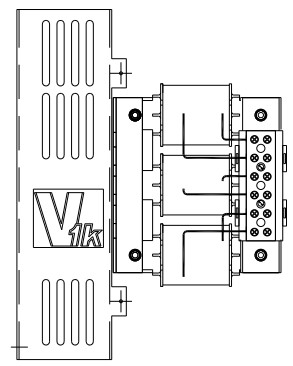


SPECIFICATIONS:	
AMP.	55
VOLT	480
PHASE	3
HZ	60
WEIGHT, LBS.	16
ENCLOSURE	OPEN DESIGN



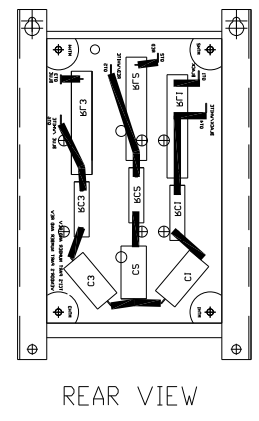
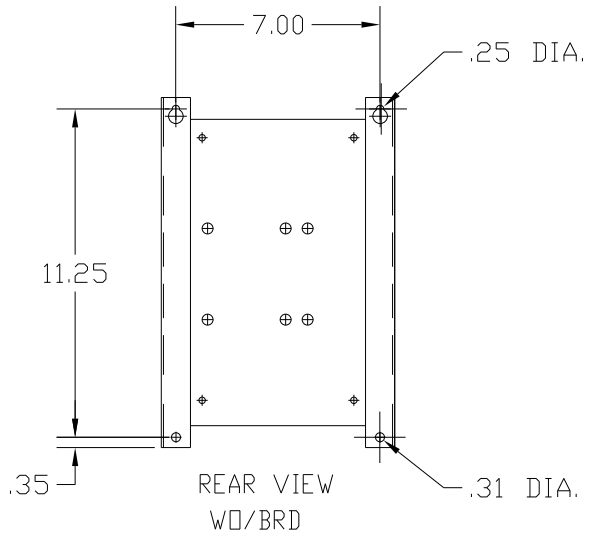
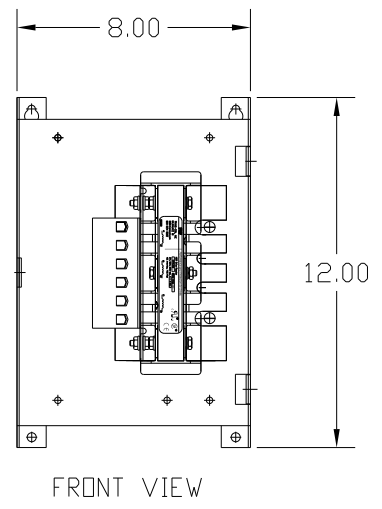
TORQUE(LB-IN)=CUSTOMER WIRE

35=1 AWG THRU 4 AWG

30=6 AWG THRU 14 AWG

25=16 AWG THRU 20 AWG

20= 22 AWG



TOLERANCE UNLESS OTHERWISE NOTED:
MOUNTING +/- .06
OVERALL +/- .12

				TOLERANCES (EXCEPT AS NOTED)	 7878 N. 86th STREET MILWAUKEE, WI 53224		
				DECIMAL			
				.XX ± .01			
				.XXX ± .01			
				FRACTIONAL	V1K55A00, OUTPUT FILTER 55 AMP, 480V, OPEN		
				± 1/32			
E	2716 REMOVE COLOR	2/4/2011	DSW	ANGULAR	DRN. BY RJC	DATE 4/12/05	DWG. NO. 102399DG
NO	REVISION	DATE	BY	± 1/2°	SCALE TO FIT	APPRV.D.	A SHT.1 OF 1