

FloorSource™ Series Round Furniture Feed Floor Boxes

The new FloorSource™ Series Round Furniture Feed Floor Box is designed to work in both wood and raised floor applications. Constructed of die cast aluminum material, the furniture feed floor box can be divided for dual service. Each 3" [76mm] tall box is provided with a durable sheet metal cover. This box accepts the 6" [182mm] round Evolution™ Series furniture feed covers.

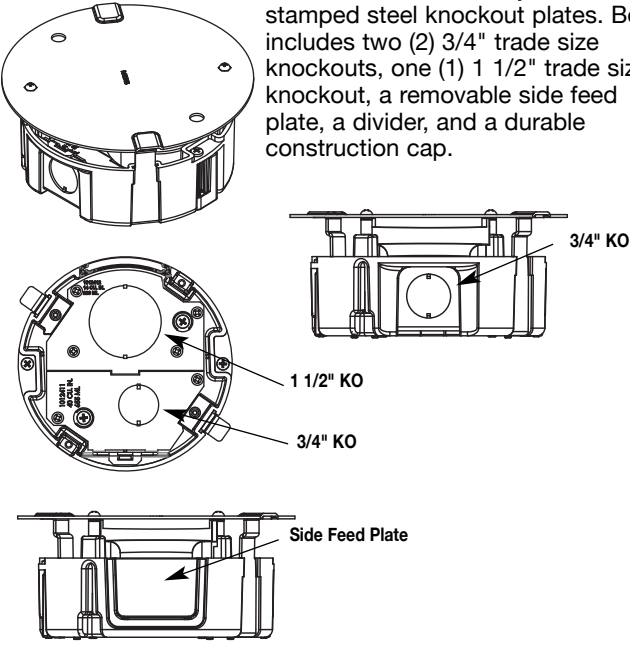
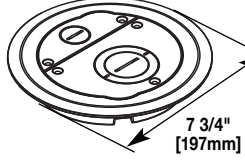

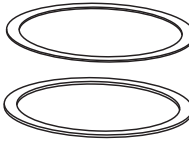
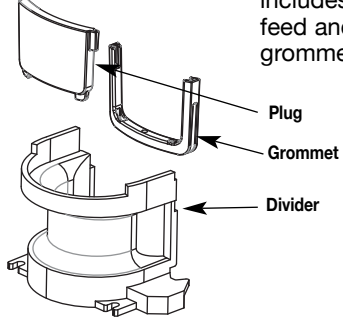
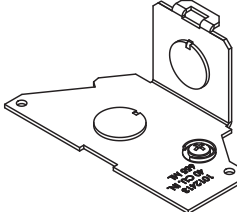
The FloorSource furniture feed box has many applications including: commercial offices, financial institutions, education and hospitality locations.



FEATURES & BENEFITS

- **Box can be installed into both raised and wood floor applications.** The advantage of this is that it will be easier to order and purchase and the stock will work for everyone.
- **Quicker and easier installation.** The 6FF-AFB Furniture Feed Floor Box fits into a standard 6" [152mm] diameter hole. The round shape makes install easier and quicker, increasing productivity and reducing jobsite cost.
- **Suitable for use in air handling areas.** In accordance with Sec. 300-22(C) of the National Electrical Code.
- **Multiple size knockouts.** Evolution Series Furniture Feed Floor Boxes are available with multiple trade size knockouts ranging in size from 1/2" to 1 1/2" allowing for multiple activations and wiring configurations.
- **Large capacity side entrance.** With 3in² [1935mm²] there is plenty of capacity for a large bundle of communication cables or preterminated A/V cables.
- **Durable construction cap.** Protects the box during installation and construction phase.
- **Dual service capacity.** Equipped with a removable divider to separate services allowing for maximum flexibility.
- **Accepts Round Evolution Furniture Feed poke-thru covers.** Durable covers provide consistent look throughout the building.
- **TopGuard Protected.** An integral design which keeps out water, dirt, and debris from the power or communication compartment. Whenever you see the TopGuard protection icon applied to any Wiremold product you will know that the product meets and exceeds the UL scrub water exclusion requirement.
- **UL listed.** Listed to U.S. and Canadian safety standards for tile, terrazzo, and the UL requirements under UL514A and UL514C for scrub water exclusion test for carpet and wood floors.

Evolution Series Furniture Feed Floor Box Ordering Information

Catalog No./Item	Description/Specifications
<p>6FF-AFB</p>  <p>Round Furniture Feed Floor Box – Die-cast aluminum body with stamped steel knockout plates. Box includes two (2) 3/4" trade size knockouts, one (1) 1 1/2" trade size knockout, a removable side feed plate, a divider, and a durable construction cap.</p>	<p>6CFFTCGY 6CFFTCBK 6CFFTCBZ 6CFFTCOA 6CFFTCSE 6CFFTCSE</p>  <p>Furniture Feed Cover Assembly – Surface style, die-cast aluminum cover assembly, with one (1) 3/4" trade size screw plug opening, and one (1) concentric 2"-1 1/4" trade size screw plug opening. Cover assembly is available in finishes: black (BK), gray (GY), nickel (NK), brass (BS), and bronze (BZ). Includes one (1) 3/4" and one (1) 2" trade size conduit fittings and one (1) divider supplied to separate services. (Divider only required for use with 6STC Poke-Thru stem assembly.)</p>
	<p>6TS</p>  <p>Tile Shim – Used for floor coverings greater than 5/16" [7.9mm]. The 6TS will allow the top surface of the cover to be flush with the finished floor. Includes: two (2) 1/8" [3.2mm] thick shims and two (2) 1/16" [1.6mm] thick shims. Up to a total of 3/8" [9.5mm] of adjustment.</p>
	<p>6FF-AFB-HWB</p>  <p>Replacement Part – Hardware bag includes one (1) divider, one (1) side feed and one (1) side feed plug grommet.</p>
	<p>6FFAFB-.5BP</p>  <p>Accessory Knockout Plate – Stamped steel plate with 1/2" trade size knockout.</p>



Legrand, North America
 60 Woodlawn Street
 West Hartford, CT 06110
 1-877-295-3472
www.legrand.us

Canada
 1-844-977-3783
www.legrand.ca

